

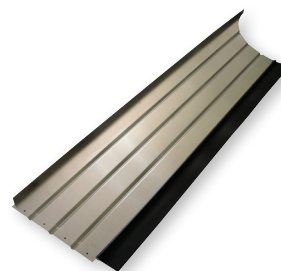
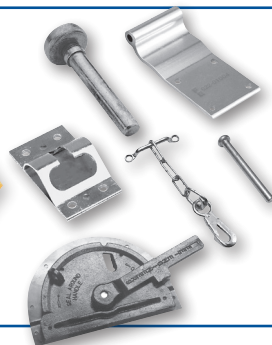
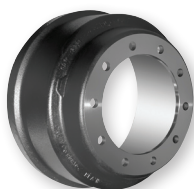


TRAILER PARTS®

# TRAILER CATALOG



*Comprehensive parts coverage for all brands and models of trailers.*





**Tested. Reliable. Guaranteed.**

**TRP® Trailer Parts**

Choosing the right replacement part or service for your vehicle—whether you own one, or a fleet—is one of the most important decisions you can make for your business. And, with tested TRP® parts it’s an easy decision.

Regardless of the make you drive, TRP quality replacement parts are engineered to fit your truck, trailer or bus. Choose the parts that give you the best value for your business. Check them out at an approved TRP retailer near you.

*The cross reference information in this catalog is based upon data provided by several industry sources and our partners. While every attempt is made to ensure the information presented is accurate, we can bear no liability due to incorrect or incomplete information.*

**Product Availability**

*Due to border issues and market demands, not all products are always available in every location. Check for availability in your area with your local TRP® Distributor.*

*No part of this marketing material may be reproduced in any manner without written permission from TRP North America.*

**Sections**

Tables .....	A-4
<b>1</b> Brakes .....	1-1
<b>2</b> Suspension .....	2-1
<b>3</b> Wheel End .....	3-1
<b>4</b> Wheels .....	4-1
<b>5</b> Landing Gear .....	5-1
<b>6</b> Aerodynamics .....	6-1
<b>7</b> Mud Flaps & Fenders .....	7-1
<b>8</b> Doors & Hardware .....	8-1
<b>9</b> Cargo Control .....	9-1
<b>10</b> Lighting .....	10-1
<b>11</b> Electrical .....	11-1
<b>12</b> Conspicuity Tape .....	12-1
Part Number Index .....	B-1
Subject Index .....	B-27

<p><b>TRP North America</b>          750 Houser Way N.          Renton, WA 98057   <a href="http://www.trpparts.com">www.trpparts.com</a></p>	
---	--

# TRP® TRAILER PARTS

TRP® Aftermarket Parts for trucks, trailers, and buses are available through a network of authorized retailers that include Kenworth, Peterbilt, and DAF dealerships around the world. From dump trucks to cement mixers, delivery vans to tractor-trailers, school buses to transit buses of any age, TRP offers reliable aftermarket products that are designed and tested to not only meet OEM specifications, but to exceed customers' expectations regardless of which major manufacturer makes their vehicles.

## ***CONFIDENCE FOR THE ROAD AHEAD***

Drivers and their vehicles — from trucks, trailers and buses — are constantly being tested. Whether it's the elements — the schedule — or the terrain, you must be prepared. The TRP® line of parts and service is engineered to withstand those tests — and exceed them.

TRP is dedicated to providing the reliability that drivers demand out of their vehicles. It's the partnership between tough parts and the roads that test them. It's a focus on extending the life of your vehicle, no matter the make, so you can get the most out of your truck, trailer or bus.

What the TRP® logo means to you is confidence. Confidence that you're covered, no matter your make or vehicle. Confidence that the job will get done. And the confidence to take on whatever test may wait around the next turn.

# TABLES

## Sorted Alphabetically

<a href="#">Table 5-34: 2" and 3.5" SAE King Pins</a> .....	5-76
<a href="#">Table 5-21: 4700 Series Assembly</a> .....	5-43
<a href="#">Table 5-22: 4701 Series Assembly</a> .....	5-45
<a href="#">Table 5-23: 48000 Series Assembly</a> .....	5-47
<a href="#">Table 5-24: 49000 Assembly</a> .....	5-49
<a href="#">Table 5-7: 50000 NoLube Assembly</a> .....	5-16
<a href="#">Table 5-8: 50000 NoLube Travel Measurements</a> .....	5-18
<a href="#">Table 5-5: 50000 Standard Assembly</a> .....	5-14
<a href="#">Table 5-6: 50000 Standard Travel Measurements</a> .....	5-15
<a href="#">Table 5-3: 51000 NoLube Assembly</a> .....	5-9
<a href="#">Table 5-4: 51000 NoLube Travel Measurements</a> .....	5-11
<a href="#">Table 5-1: 51000 Standard Assembly</a> .....	5-7
<a href="#">Table 5-2: 51000 Standard Travel Measurements</a> .....	5-8
<a href="#">Table 1-4: ABS Cables</a> .....	1-7
<a href="#">Table 1-3: ABS Control Unit, Valves &amp; Sensors</a> .....	1-6
<a href="#">Table 2-25: Air Spring Cross Reference</a> .....	2-78
<a href="#">Table 2-14: Air Springs – TRP</a> .....	2-39
<a href="#">Table 1-20: Brake Camshaft Cross Reference</a> .....	1-44
<a href="#">Table 1-2: Brake Chamber Assemblies</a> .....	1-5
<a href="#">Table 1-18: Brake Chamber Cross Reference</a> .....	1-36
<a href="#">Table 1-6: Brake Drums – ArvinMeritor</a> .....	1-8
<a href="#">Table 1-5: Brake Drums – Gunite</a> .....	1-8
<a href="#">Table 1-7: Brake Drums – Webb</a> .....	1-9
<a href="#">Table 1-17: Brake Hardware/Repair Kits – ArvinMeritor</a> .....	1-20
<a href="#">Table 1-19: Brake Part Cross Reference</a> .....	1-36
<a href="#">Table 1-12: Brake Shoes – Bendix</a> .....	1-13
<a href="#">Table 1-13: Brake Shoes – Haldex</a> .....	1-14

<a href="#">Table 1-11: Brake Shoes – RoadLeveler</a> . . . . .	1-12
<a href="#">Table 1-15: Camshafts – ArvinMeritor</a> . . . . .	1-18
<a href="#">Table 1-14: Camshafts – TRP®</a> . . . . .	1-16
<a href="#">Table 9-1: Cargo Bars &amp; Winches – Kinedyne</a> . . . . .	9-3
<a href="#">Table 9-2: Cargo Straps – Kinedyne</a> . . . . .	9-5
<a href="#">Table 5-12: CMS2 Assembly</a> . . . . .	5-28
<a href="#">Table 5-13: CMS2 Travel Measurements</a> . . . . .	5-30
<a href="#">Table 5-14: CMS3 Assembly</a> . . . . .	5-31
<a href="#">Table 5-15: CMS3 Travel Measurements</a> . . . . .	5-33
<a href="#">Table 12-1: Conspicuity Tape</a> . . . . .	12-3
<a href="#">Table 8-6: Door Bumpers &amp; Seals</a> . . . . .	8-23
<a href="#">Table 8-4: Door Handles</a> . . . . .	8-20
<a href="#">Table 8-2: Door Hinge Pins</a> . . . . .	8-17
<a href="#">Table 8-1: Door Hinges – Standard Type</a> . . . . .	8-4
<a href="#">Table 8-5: Door Hold-Back &amp; Anchors</a> . . . . .	8-21
<a href="#">Table 8-7: Door Locks</a> . . . . .	8-23
<a href="#">Table 8-8: Door - Swing, Lockrod Hardware</a> . . . . .	8-24
<a href="#">Table 8-9: Door Vents</a> . . . . .	8-25
<a href="#">Table 8-3: Door Weld-On Hinges</a> . . . . .	8-19
<a href="#">Table 5-20: Dual-Pin Drop Leg Assembly</a> . . . . .	5-42
<a href="#">Table 11-1: Electrical Cables – Coiled</a> . . . . .	11-4
<a href="#">Table 11-4: Electrical Cables &amp; Plugs Cross Reference</a> . . . . .	11-7
<a href="#">Table 11-2: Electrical Cables – Straight</a> . . . . .	11-5
<a href="#">Table 11-3: Electrical Plugs &amp; Receptacles</a> . . . . .	11-6
<a href="#">Table 5-18: FG4000 NoLube Assembly</a> . . . . .	5-37
<a href="#">Table 5-19: FG4000 NoLube Travel Measurements</a> . . . . .	5-39
<a href="#">Table 5-16: FG4000 Standard Assembly</a> . . . . .	5-34
<a href="#">Table 5-17: FG4000 Standard Travel Measurements</a> . . . . .	5-36
<a href="#">Table 2-17: Hendrickson – HT230 Top-Mount</a> . . . . .	2-54
<a href="#">Table 2-16: Hendrickson – INTRAAX® AANT 23K</a> . . . . .	2-51

<a href="#">Table 2-15:</a> Hendrickson INTRAAX® AAT – 23K, 25K, 30K . . . . .	2-47
<a href="#">Table 2-23:</a> Hendrickson – Slider Air Control Accessories . . . . .	2-75
<a href="#">Table 2-18:</a> Hendrickson – VANTRAAX® HKANT 40K/HKA180, Slider Box Assembly . . . . .	2-61
<a href="#">Table 2-19:</a> Hendrickson – VANTRAAX® HKANT 40K/HKA180, Suspension Assembly . . . . .	2-65
<a href="#">Table 2-21:</a> Hendrickson VANTRAAX® HKANT 46K/ HKAT 46K/HKA200, Narrow Bushing/ Tapered Beam Model . . . . .	2-71
<a href="#">Table 2-20:</a> Hendrickson VANTRAAX® HKANT 46K/ HKAT 46K/HKA200, Slider Box Assembly . . . . .	2-69
<a href="#">Table 2-22:</a> Hendrickson VANTRAAX® HKANT 46K/ HKAT 46K/HKA200, Wide Bushing/ Straight Beam Model . . . . .	2-73
<a href="#">Table 5-30:</a> Holland Axles . . . . .	5-68
<a href="#">Table 5-27:</a> Holland Braces . . . . .	5-60
<a href="#">Table 2-6:</a> Holland – CB400 Service & Repair/Replacement Kits . . . . .	2-23
<a href="#">Table 2-5:</a> Holland – CB400 Slider Box Components . . . . .	2-18
<a href="#">Table 2-4:</a> Holland – CB400 Suspension Components . . . . .	2-15
<a href="#">Table 5-26:</a> Holland Crank Handles . . . . .	5-53
<a href="#">Table 2-1:</a> Holland – Curb Side CB-2300 & CBX23 . . . . .	2-5
<a href="#">Table 5-29:</a> Holland Removable Cushion Foot Assemblies . . . . .	5-66
<a href="#">Table 2-8:</a> Holland – RL250 Pivot/Axle Connection Kits . . . . .	2-30
<a href="#">Table 2-10:</a> Holland – RL250 Shock Below Frame, Pivot/Axle Connection Kits . . . . .	2-34
<a href="#">Table 2-9:</a> Holland – RL250 Shock Below Frame Suspension . . . . .	2-31
<a href="#">Table 2-7:</a> Holland – RL250 Standard Suspension Components . . . . .	2-26
<a href="#">Table 2-13:</a> Holland – RL Frame Bracket Replacement Kits . . . . .	2-37
<a href="#">Table 2-11:</a> Holland – RL Pivot and Axle Connection Service Repair Kits . . . . .	2-34
<a href="#">Table 2-12:</a> Holland – RL Pivot & Axle Connection Replacement Kits . . . . .	2-35
<a href="#">Table 2-2:</a> Holland – Service & Replacement Kits . . . . .	2-10
<a href="#">Table 5-28:</a> Holland Shoes . . . . .	5-63
<a href="#">Table 2-3:</a> Holland – Valves . . . . .	2-13
<a href="#">Table 5-31:</a> Holland Wheels & Casters . . . . .	5-70
<a href="#">Table 4-2:</a> Hubs – Gunite . . . . .	4-4
<a href="#">Table 4-3:</a> Hubs – Webb . . . . .	4-5

<a href="#">Table 10-6: Incandescent Marker Lamps</a> . . . . .	10-17
<a href="#">Table 10-7: Incandescent Stop, Turn, &amp; Tail Lamps</a> . . . . .	10-18
<a href="#">Table 5-33: Jost – A400 &amp; A401, Components</a> . . . . .	5-74
<a href="#">Table 5-32: Jost – A400 &amp; A401, Outer/Inner Leg Assemblies</a> . . . . .	5-73
<a href="#">Table 10-3: LED Backup Lamps</a> . . . . .	10-13
<a href="#">Table 10-2: LED Bases &amp; Bezels</a> . . . . .	10-11
<a href="#">Table 10-8: LED &amp; Incandescent Lighting Cross Reference</a> . . . . .	10-19
<a href="#">Table 10-1: LED Lamps – Clearance &amp; Marker</a> . . . . .	10-5
<a href="#">Table 10-4: LED Multi-Light Harnesses &amp; Connectors</a> . . . . .	10-13
<a href="#">Table 10-5: LED Stop, Turn, &amp; Tail (STT) Lamps</a> . . . . .	10-14
<a href="#">Table 5-9: Mark V Assembly</a> . . . . .	5-20
<a href="#">Table 5-10: Mark V Leg Assemblies</a> . . . . .	5-23
<a href="#">Table 5-11: Mark V Shafts &amp; Crank Handles</a> . . . . .	5-26
<a href="#">Table 7-1: Mud Flap Hangers – Angled Stainless Steel &amp; Painted</a> . . . . .	7-3
<a href="#">Table 7-2: Mud Flap Hangers – Straight Stainless Steel &amp; Painted</a> . . . . .	7-4
<a href="#">Table 7-4: Poly Single Axle Fenders</a> . . . . .	7-6
<a href="#">Table 5-25: Replacement Landing Gear Shafts</a> . . . . .	5-50
<a href="#">Table 2-24: RoadLeveler Shock Absorbers</a> . . . . .	2-77
<a href="#">Table 8-13: Roll-Up Door Components</a> . . . . .	8-32
<a href="#">Table 8-14: Roll-Up Door Fasteners</a> . . . . .	8-45
<a href="#">Table 8-12: Roll-Up Door – Panels</a> . . . . .	8-29
<a href="#">Table 8-11: Roll-Up Doors – T-Style</a> . . . . .	8-28
<a href="#">Table 8-10: Roll-Up Doors – W-Style</a> . . . . .	8-27
<a href="#">Table 6-1: Skirts &amp; Panels</a> . . . . .	6-3
<a href="#">Table 1-9: Slack Adjusters – ArvinMeritor</a> . . . . .	1-11
<a href="#">Table 1-8: Slack Adjusters – Gunite</a> . . . . .	1-11
<a href="#">Table 1-10: Slack Adjusters – Haldex</a> . . . . .	1-11
<a href="#">Table 7-3: Stainless Steel and Aluminum Single Axle Fenders</a> . . . . .	7-5
<a href="#">Table 3-6: Tapered Roller Bearings &amp; Hubcaps – SKF</a> . . . . .	3-8
<a href="#">Table 4-4: Tire Pressure – Cat’s Eye® Valve Assemblies</a> . . . . .	4-6

[Table 4-5: Trailer - Cat's Eye Replacement Parts](#) . . . . . 4-7

[Table 6-2: Trailer Skirt Hardware](#) . . . . . 6-5

[Table 1-16: TRP® Camshaft Repair/Bushing Kits](#) . . . . . 1-19

[Table 3-3: Wheel Bearings – TRP® Tapered Roller Bearing Cones](#). . . . . 3-6

[Table 3-4: Wheel Bearings – TRP® Tapered Roller Bearing Cups](#) . . . . . 3-7

[Table 3-5: Wheel Bearings – TRP® Tapered Roller Bearing Sets](#) . . . . . 3-8

[Table 3-7: Wheel End Nuts](#) . . . . . 3-9

[Table 3-10: Wheel End Nuts & Studs Cross Reference](#) . . . . . 3-15

[Table 3-8: Wheel End Studs](#) . . . . . 3-10

[Table 4-1: Wheels – Accuride](#) . . . . . 4-3

[Table 3-9: Wheel Seal & Bearing Cross Reference](#). . . . . 3-14

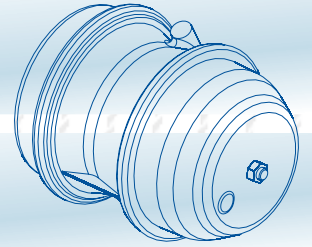
[Table 3-2: Wheel Seals – SKF](#). . . . . 3-5

[Table 3-1: Wheel Seals – TRP](#). . . . . 3-4





Parts for all brands of trailers.



**1**

TRAILER PARTS<sup>®</sup>

# BRAKES

*Proven, reliable and  
always innovative.*

TRP<sup>®</sup> offers reliable aftermarket products that are designed and tested to exceed customers' expectations regardless of the trailer make, model or age.

## **BRAKES** *Chambers, Drums, Shoes, Etc. & Cross Reference*





**Tested. Reliable. Guaranteed.**

**Brakes**

Choosing the right replacement part or service for your vehicle—whether you own one, or a fleet—is one of the most important decisions you can make for your business. And, with tested TRP® parts it’s an easy decision.

Regardless of the make you drive, TRP quality replacement parts are engineered to fit your truck, trailer or bus. Choose the parts that give you the best value for your business. Check them out at an approved TRP retailer near you.

*The cross reference information in this catalog is based upon data provided by several industry sources and our partners. While every attempt is made to ensure the information presented is accurate, we can bear no liability due to incorrect or incomplete information.*

**Product Availability**

*Due to border issues and market demands, not all products are always available in every location. Check for availability in your area with your local TRP® Distributor.*

*No part of this marketing material may be reproduced in any manner without written permission from TRP North America.*

**CONTENTS**

**BRAKE CHAMBERS**

TRP® Standard and Longstroke Brake Chambers . . . . . 1-5

**ABS**

ABS Control Units, Valves & Sensors . . . . . 1-6

- Electronic Control Units . . . . . 1-6
- Activation Switch . . . . . 1-6
- Sensors . . . . . 1-6
- Filters . . . . . 1-6
- Modulator Valves . . . . . 1-6
- ABS Retrofit Kits . . . . . 1-7

ABS Cables . . . . . 1-7

- Adapter Cable . . . . . 1-7
- Sensor Cable . . . . . 1-7
- Trailer ABS . . . . . 1-7
- Trailer ABS Modulator . . . . . 1-8

**BRAKE DRUMS**

Gunite . . . . . 1-8

ArvinMeritor . . . . . 1-8

Webb . . . . . 1-9

<p><b>TRP North America</b>          750 Houser Way N.          Renton, WA 98057   <a href="http://www.trpparts.com">www.trpparts.com</a></p>	
---	--

**SLACK ADJUSTERS**

<u>Gunite</u> . . . . .	1-11
<u>ArvinMeritor</u> . . . . .	1-11
<u>Haldex</u> . . . . .	1-11

**BRAKE SHOES**

<u>RoadLeveler Shoes</u> . . . . .	1-12
<u>Bendix Shoes</u> . . . . .	1-13
<u>Haldex Shoes</u> . . . . .	1-14

**CAMSHAFTS**

<u>TRP® Camshafts</u> . . . . .	1-16
<u>ArvinMeritor Camshafts</u> . . . . .	1-18

**HARDWARE KITS**

<u>TRP® Bushing Kits</u> . . . . .	1-19
<u>ArvinMeritor Hardware Kits</u> . . . . .	1-20
<u>Brake Shoe Kits</u> . . . . .	1-20
<u>Hardware Kits</u> . . . . .	1-20
<u>Repair Kits</u> . . . . .	1-21

**BENDIX® BRAKE COMPONENTS**

<u>Quick Release Valves</u> . . . . .	1-22
<u>Relay Valves</u> . . . . .	1-23
<u>Spring Brake Valves</u> . . . . .	1-25
<u>Manual Slack Adjusters</u> . . . . .	1-27
<u>Automatic Slack Adjusters</u> . . . . .	1-28
<u>Water Separator &amp; System-Guard</u> <u>Air Dryer</u> . . . . .	1-30
<u>Trailer ABS</u> . . . . .	1-31
<u>Wheel Speed Sensors</u> . . . . .	1-33
<u>Air Disc Brakes</u> . . . . .	1-34

**CROSS REFERENCE**

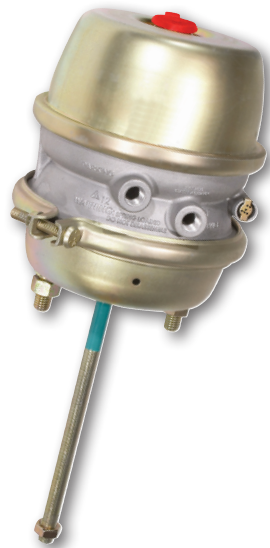
<u>Brake Chamber Cross Reference</u> . . . . .	1-36
Alliance Parts . . . . .	1-36
Bendix . . . . .	1-36
Haldex . . . . .	1-36
Inline . . . . .	1-36
MGM Brakes . . . . .	1-36
<u>Brake Part Cross Reference</u> . . . . .	1-36
Alliance Parts . . . . .	1-36
ArvinMeritor . . . . .	1-36
Autocar . . . . .	1-38
Batco . . . . .	1-38
Bendix . . . . .	1-38
Brockway Motor Trucks . . . . .	1-38
Bucyrus-Erie . . . . .	1-39
Budd Wheel Co . . . . .	1-39
BWP . . . . .	1-39
Carlisle Brakes . . . . .	1-39
Consolidated Metal Inc . . . . .	1-39
Dana / Spicer . . . . .	1-39
Dayton . . . . .	1-39
Dayton Walther . . . . .	1-40
Dexter Axle . . . . .	1-40
Diamond Reo Trucks . . . . .	1-40
Eagle / Norcross . . . . .	1-40
Eaton . . . . .	1-40
EIS . . . . .	1-41
Euclid . . . . .	1-41
Ford . . . . .	1-41
Fruehauf . . . . .	1-41
General Trailer Parts . . . . .	1-41
GMC . . . . .	1-41
Great Dane . . . . .	1-41
Gunite . . . . .	1-41
Haldex . . . . .	1-42
Hayes Lemmerz . . . . .	1-42
Hercules . . . . .	1-42
Holland . . . . .	1-42

Leland Brake Parts . . . . .	1-42
Mack . . . . .	1-43
Meritor . . . . .	1-43
Midland Grau . . . . .	1-43
Midwest . . . . .	1-43
MotorWheel . . . . .	1-43
NAPA . . . . .	1-43
Navistar . . . . .	1-43
Oshkosh Truck Corp . . . . .	1-43
Peterbilt . . . . .	1-43
RoadLeveler . . . . .	1-43
Shuler . . . . .	1-43
Sifco Ind. . . . .	1-43
Sirco Brake . . . . .	1-43
Standard Forge . . . . .	1-43
Trailmobile . . . . .	1-43
Tramec. . . . .	1-43
Transit Parts. . . . .	1-43
UBS . . . . .	1-44
Volvo . . . . .	1-44
Wabco . . . . .	1-44
Wagner Equipment Co. . . . .	1-44
Webb Wheel . . . . .	1-44
<u>Brake Camshaft Cross Reference</u> . . . . .	1-44
BWP. . . . .	1-44
Dana . . . . .	1-45
Dayton . . . . .	1-45
Euclid . . . . .	1-45
Fruehauf . . . . .	1-46
Hendrickson. . . . .	1-46
Meritor . . . . .	1-46
Sirco. . . . .	1-47

# BRAKE CHAMBERS

## TRP® STANDARD AND LONGSTROKE BRAKE CHAMBERS

Before a TRP® Brake Chamber can be installed on a trailer, it must pass a rigorous inspection to ensure it will form a tight seal for better performance and longer life. Regardless of the conditions, you can trust TRP® Brake Chambers to handle the load.



Brake Chamber SB13030



Dust Plug 3200-0009-0177

Table 1-2: Brake Chamber Assemblies

Part Number	Description	Combo or Kit	Style	Components
SB23030	Brake Chamber Combo 3030	Combo 30/30	Standard	With Clevis
SB43030	Brake Chamber Combo, Hend. Intraax	Combo 30/30	Hendrickson	With Clevis
SB33030	Brake Chamber Combo, Long Stroke	Combo 30/30	Longstroke	With Clevis
SB13030	Brake Chamber Combo, w/o Clevis	Combo 30/30	Standard	No Clevis
SB53030	Piggyback only	Piggyback	Standard	Piggyback only
SB73030	Piggyback only	Piggyback	Longstroke	Piggyback only
SB63030	Brake Chamber Kit, 3030, Piggyback	Kit 30/30	Standard	Piggyback, diaphragm, clamp
SB83030	Brake Chamber, Long Stroke Kit, Piggyback	Kit 30/30	Longstroke	Piggyback, diaphragm, clamp

# ABS

## ABS CONTROL UNITS, VALVES & SENSORS

Table 1-3: ABS Control Unit, Valves &amp; Sensors

Part Number	Description	Comments
<b>ELECTRONIC CONTROL UNITS</b>		
S446-108-201-0	Trailer ABS ECU For S400 500 101 0 Trailer ABS ECU/Valve Assembly	
S400-850-600-0	Trailer ABS ECU For S400 500 102 0 Trailer ABS ECU/Valve Assembly	
S400-850-601-0	Trailer ABS ECU For S400 500 103 0 Trailer ABS ECU/Valve Assembly	
S446-108-204-0	Trailer ABS ECU For S400 500 104 0 Trailer ABS ECU/Valve Assembly	
S400-500-103-0	Trailer ABS Premium ECU/Valve Assembly; 2S/2M, 4S/2M, 4S/3M	
R955322	Easy Stop ABS ECU/Valve Replacement Kit	Contains Power Cable Adapter
R955323	Easy Stop ABS ECU/Valve Replacement Kit	Contains Power/Diagnostic Cable Adapter
R955321	Easy Stop ABS ECU/Valve Replacement Kit	Contains Power/Diagnostic Cable Adapter
R955320	Easy Stop ABS ECU/Valve Replacement Kit	Contains Power Cable Adapter
R955347	Easy Stop ABS ECU/Valve Replacement Kit	Contains Power/Diagnostic Cable Adapter and Modulator Valve Cable
R955344	Easy Stop ABS ECU/Valve Replacement Kit	Contains Power Cable Adapter
R955345	Easy Stop ABS ECU/Valve Replacement Kit	Contains Power/Diagnostic Cable Adapter
S400-500-102-0	Trailer ABS Standard ECU/Valve Assembly; 2S/2M	
<b>ACTIVATION SWITCH</b>		
S2237Z1222	Diagnostic Activation Switch	Used To Activate Blink Codes In Easy-Stop And Enhanced Easy-Stop
<b>SENSORS</b>		
R955335	Sensor Kit - 1 ft. (0.3M) Length - S441 032 808 0 Sensor	
R955336	Sensor Kit - 3 ft. (.9M) Length - S441 032 809 0 Sensor	
R955341	Sensor Kit - 5.8 ft. (1.8M) Length - S441 032 813 0 Sensor	
R955342	Sensor Repair Kit - 6.6 ft. (2M) Length - S441 032 814 0 Sensor	
R955458	Sensor Spring Clip - Chrome Nickel	
<b>FILTERS</b>		
S432-500-005-0	In-Line Filter	Prevents Contamination Of Trailer ABS ECU And Modulator Valves
S100-100-002-4	In-Line Filter Tool	Used to Clean and Replace Cartridge
<b>MODULATOR VALVES</b>		
S400-500-104-0	Trailer ABS/Modulator Valve Assembly; Basic 2S/1M System w/ Bracket	Recommended For Use on Turntables, Steerables and Dollies
S400-500-101-0	Trailer ABS/Modulator Valve Assembly; Basic 2S/1M System w/ Bracket	Recommended For Use on Standard Trailers
S478-407-058-4	Bracket For Trailer ABS ECU/Modulator Valve Assembly	Use only w/ 2S/1M systems
S400-850-602-0	Dual ABS Modulator Valve For S400 500 102 0 Or S400 500 103 0 ECU/Valve Assembly	

Part Number	Description	Comments
S472-195-033-0	External Modulator Valve On S400 500 101 0 & S400 500 104 0 ECU/Valve Assembly	
R955378	ABS Modulator Valve; For 3M Enhanced Easy Stop or 2M/3M Easy Stop Units	

## ABS RETROFIT KITS

R955423	Wabash MBS-2 ABS Retrofit Kit; Converts to 2S/1M System	Kit Does Not Include Tone Rings
R955374	Wabash MBS-1/MBS-1P ABS Retrofit Kit	Converts to 2S/1M System
R955375	Wabash MBS-1/MBS-1P ABS Retrofit Kit	Converts to 4S/2M System
R955373	Haldex/Bendix ABS Retrofit Kit	Converts to Meritor WABCO Enhanced Easy Stop ABS; 36 Ft. Power Cable
R955372	Haldex/Bendix ABS Retrofit Kit	Converts to Meritor WABCO Enhanced Easy Stop ABS; 10 Ft. Power Cable

## ABS CABLES

Table 1-4: ABS Cables

Part Number	Description	Length	Comments
-------------	-------------	--------	----------

### ADAPTER CABLE

S894-607-312-0	Adapter Cable		Connects Easy-Stop Power Cable to an Enhanced Easy-Stop ECU/Modulator Valve Assembly
S894-607-313-0	Adapter Cable		Connects Easy-Stop Power Cable to an Enhanced Easy-Stop ECU/Modulator Valve Assembly; Power/Diagnostic Adapter Cable

### SENSOR CABLE

S449-713-030-0	Sensor Extension Cable w/ Plug; 10 ft. (3.0M)	10' (3.0M)	
----------------	---	------------	--

### TRAILER ABS

S449-713-050-0	Trailer ABS Cable - 16 ft. (5.0M)	16' (5.0M)	
S449-713-018-0	Trailer ABS Cable - 6 ft. (1.8M)	6' (1.8M)	
S449-328-110-0	Trailer ABS Cable - Blunt Cut - 36 ft. (11M)	36' (11M)	
SA1-3237K1129	Trailer ABS Cable - Cable - 9 ft. (2.7M)	9' (2.7M)	
SA1-3237L1130	Trailer ABS Cable - Cable With Mounting Bracket & Activation Switch - 9 ft. (2.7M)	9' (2.7M)	
S449-326-005-0	Trailer ABS Cable w/ Industry Standard Connector - 1.5 ft. (0.5M)	1.5' (0.5M)	
S449-364-142-0	Trailer ABS Cable w/ Industry Standard Connector - 1.65 ft. & 10 ft. (0.5M - 3M)	1.65' & 10' (0.5M & 3M)	
S449-326-030-0	Trailer ABS Cable w/ Industry Standard Connector - 10 ft. (3M)	10' (3M)	
S449-364-150-0	Trailer ABS Cable w/ Industry Standard Connector - 13 ft. & 10 ft. (4M - 3M)	13' & 10' (4M & 3M)	
S449-326-047-0	Trailer ABS Cable w/ Industry Standard Connector - 14 ft. (4.7M)	14' (4.7M)	
S894-606-038-0	Trailer ABS Cable w/ Industry Standard Connector - 14 ft. (4.7M)	14' (4.7M)	
S449-364-153-0	Trailer ABS Cable w/ Industry Standard Connector - 20 ft. & 10 ft. (6M - 3M)	20' & 10' (6M & 3M)	
S449-326-060-0	Trailer ABS Cable w/ Industry Standard Connector - 20 ft. (6M)	20' (6M)	

Part Number	Description	Length	Comments
S894-606-050-0	Trailer ABS Cable w/ Industry Standard Connector - 20 ft. (6M)	20' (6M)	
S449-364-143-0	Trailer ABS Cable w/ Industry Standard Connector - 3 ft. & 10 ft. (1M - 3M)	3' & 10' (1M & 3M)	
S449-326-010-0	Trailer ABS Cable w/ Industry Standard Connector - 3 ft. (1M)	3' (1M)	
S894-604-944-0	Trailer ABS Cable w/ Industry Standard Connector - 3 ft. (1M)	3' (1M)	

## TRAILER ABS MODULATOR

S894-606-275-2	Trailer ABS Modulator Valve Extension Cable - .5 Meters	0.5M	Connects Relay Valve to ECU
S449-431-015-0	Trailer ABS Modulator Valve Extension Cable - 1.5 Meters	1.5M	Connects Relay Valve to ECU

## BRAKE DRUMS

### GUNITE

Table 1-5: Brake Drums – Gunite

Part Number	Description	Pilot Diameter	Bolt Circle Diameter	Bolt Holes	Weight
3600A	16.50 x 7.00 Brake Drum Outboard Mounted Not Balanced	8.78	11.25	10	112
3600AX	16.50 x 7.00 Brake Drum Outboard Mounted Balanced	8.78	11.25	10	112
3782X	16.50 x 8.00 Brake Drum Outboard Mounted Balanced	8.78	11.25	10	123
3807X	16.50 x 8.62 Brake Drum Outboard Mounted Balanced	8.78	11.25	10	127
3922X	16.50 x 7.00 Value Plus Brake Drum Outboard Mounted Balanced	8.78	11.25	10	105
9006X	16.50 x 7.00 GOLD Brake Drum Outboard Mounted Lightweight Balanced	8.78	11.25	10	94
9019X	16.50 x 8.62 GOLD Brake Drum Outboard Mounted Lightweight Balanced	8.78	11.25	10	107

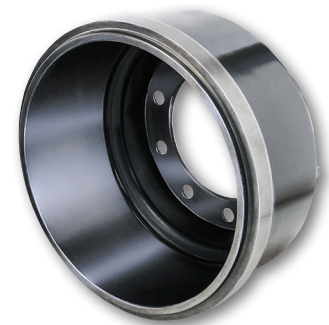
Information provided by Gunite Corporation.

### ARVINMERITOR

Table 1-6: Brake Drums – ArvinMeritor

Part Number	Description	Pilot Diameter	Bolt Circle Diameter	Bolt Holes
03-122222	Unbalanced Cast Brake drum for Spoke Wheels; 16-1/2" x 7"	9.44"	11"	5/6
03-122550	Unbalanced Cast Brake drum for Disc Wheels; 16-1/2" x 7"	9"	11.25"	10
03-122683	Unbalanced Cast Brake drum for Spoke Wheels; 16-1/2" x 7"	11.25"	12.75"	5/6
03-122978	Unbalanced Cast Brake drum for Disc Wheels; 16-1/2" x 7"	8.53"	11.25"	10
85-122550	Balanced Cast Brake drum for Disc Wheels; 16-1/2" x 7"	9"	11.25"	10
03-123207	Unbalanced Cast Brake drum for Disc Wheels; 16-1/2" x 7"; Outboard Mount	8.78"	11.25"	10
03-012582	Unbalanced Cast Brake drum for Disc Wheels; 16-1/2" x 7"	9.44"	11.25"	10

Information provided by ArvinMeritor.





# WEBB

Table 1-7: Brake Drums – Webb

Product	Part Number	Description	Pilot Diameter
	66893F20	Old Standard 16.5" x 7" Outboard 8.53" Pilot, Year: 80's and early 90's	8.53"
	67518F20	16.5" x 7" Inboard Mount Drum for Spoke Wheels, Year: 70's through 90's	
	62200F20	16.5" x 7" Inboard Mount Drum for Hubs, Year: 60's through 80's	
	60876F20	Old Standard 16.5" x 7" Outboard Drum 9.44" Pilot / Fruehauf Applications, Year: 70's and 80's	9.44"

Information provided by Webb Wheel Products, Inc.

Product	Part Number	Description	Pilot Diameter
	66895B20	Old Standard 16.5" x 7" Outboard Drum 9.0" Pilot / Rockwell/Meritor Applications, Year: 80's and early 90's	9.0"
	68730F20	16.5" x 7" Inboard Mount Drum for Spoke Wheels, Year: 70's through 90's	
	63680F	Lowboy Drums for 12.25" Brakes, Year: 70's through Current	

Information provided by Webb Wheel Products, Inc.

# SLACK ADJUSTERS

## GUNITE

Table 1-8: Slack Adjusters – Gunite

Part Number	Description	Lever Length	Spline	Comments
AS1143	5-1/2" 37 Spline Automatic Slack Adjuster	5-1/2"	1-5/8" 37	
AS1144	6" 37 Spline Automatic Slack Adjuster	6"	1-5/8" 37	
AS1146	5-1/2" 10 Spline Automatic Slack Adjuster	5-1/2"	1- 1/2" 10	Used mainly in Canada
AS1147	6" 10 Spline Automatic Slack Adjuster	6"	1- 1/2" 10	Used mainly in Canada
AS1149	5-1/2" 28 Spline Automatic Slack Adjuster	5-1/2"	1- 1/2" 28	
AS1150	6" 29 Spline Automatic Slack Adjuster	6"	1- 1/2" 28	

Information provided by Gunite Corporation.



Gunite

## ARVINMERITOR

Table 1-9: Slack Adjusters – ArvinMeritor

Part Number	Description	Lever Length	Spline	Comments
R801073	Automatic Slack Adjuster 1-1/2"-28 Spline; Unhanded; Straight Clevis	5-1/2"	1-1/2" 10	For Use with Type 24, 30 Chambers
R801074	Automatic Slack Adjuster 1-1/2"-28 Spline; Unhanded; Straight Clevis	6"	1-1/2" 28	For Use with Type 24, 30 Chambers

Information provided by ArvinMeritor.

## HALDEX

Table 1-10: Slack Adjusters – Haldex

Part Number	Description	Lever Length	Spline	Comments
40020215	1-1/2" x 5-1/2" 10 Spline Automatic Slack Adjuster	5-1/2"	1-1/2" 10	
40020211M1D	1-1/2" x 5-1/2" 28 Spline Automatic Slack Adjuster	5-1/2"	1-1/2" 28	
40010211M1D	1-1/2" x 5-1/2" 28 Spline Slack Adjuster	5-1/2"	1-1/2" 28	
40020216M1D	1-1/2" x 6" 10 Spline Automatic Slack Adjuster	6"	1-1/2" 10	
40010216M1D	1-1/2" x 6" 10 Spline Slack Adjuster	6"	1-1/2" 10	
40010212M1D	1-1/2" x 6" 28 Slack Adjuster	6"	1-1/2" 28	
40020212M1D	1-1/2" x 6" 28 Spline Automatic Slack Adjuster	6"	1-1/2" 28	
40020213M1D	1-5/8" x 5-1/2" 37 Spline Automatic Slack Adjuster	5-1/2"	1-5/8" 37	

Information provided by Haldex.

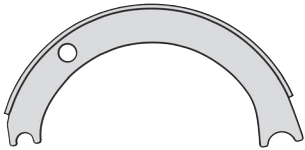
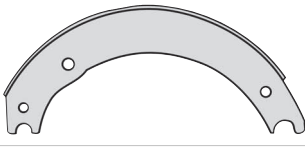
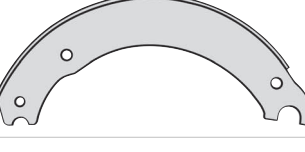
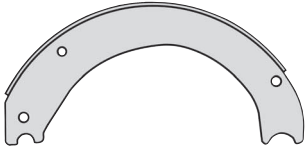
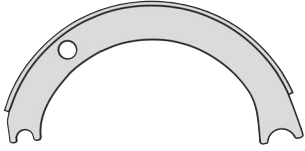
Part Number	Description	Lever Length	Spline	Comments
40010213M1D	1-5/8" x 5-1/2" 37 Spline Slack Adjuster	5-1/2"	1-5/8" 37	
40010214M1D	1-5/8" x 6" 37 Slack Adjuster	6"	1-5/8" 16	
40020214	1-5/8" x 6" 37 Spline Automatic Slack Adjuster	6"	1-5/8" 37	

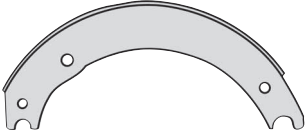
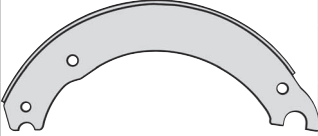
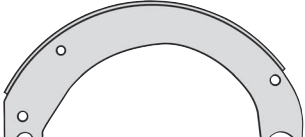
Information provided by Haldex.

## BRAKE SHOES

### ROADLEVELER SHOES

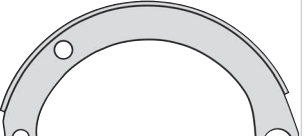
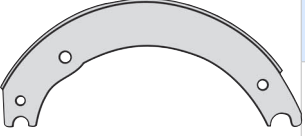
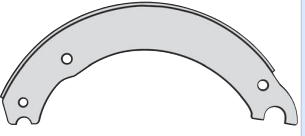
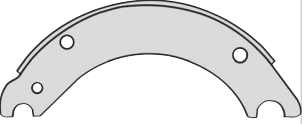
Table 1-11: Brake Shoes – RoadLeveler

Product	Part Number	Description	Diameter	Width	Lining
	RRS4311EECN20	Shoe - 4311 - 16.5 x 7	16-1/2"	7"	Economy 20K
	RRS4311ESTD20	Shoe - 4311 - 16.5 x 7	16-1/2"	7"	Standard 20K
	RRS4311EPR20	Shoe - 4311 - 16.5 x 7	16-1/2"	7"	Premium 20K
	RRS4515QECN20	Shoe - 4515Q - 16.5 x 7 Rockwell Meritor	16-1/2"	7"	Economy 20K
	RRS4515QSTD20	Shoe - 4515Q - 16.5 x 7 Rockwell Meritor	16-1/2"	7"	Standard 20K
	RRS4515QPR20	Shoe - 4515Q - 16.5 x 7 Rockwell Meritor	16-1/2"	7"	Premium 20K
	RRS4515X3ECN20	Shoe - 4515Q - 16.5 x 7 Fruehauf XEM 3rd	16-1/2"	7"	Economy 20K
	RRS4515X3STD20	Shoe - 4515Q - 16.5 x 7 Fruehauf XEM 3rd	16-1/2"	7"	Standard 20K
	RRS4515X3PR20	Shoe - 4515Q - 16.5 x 7 Fruehauf XEM 3rd	16-1/2"	7"	Premium 20K
Image Not Available	RRS4707QECN20	Shoe - 4707Q - 16.5 x 7 Meritor Q Plus	16-1/2"	7"	Economy 20K
	RRS4707QSTD20	Shoe - 4707Q - 16.5 x 7 Meritor Q Plus	16-1/2"	7"	Standard 20K
	RRS4707QPR20	Shoe - 4707Q - 16.5 x 7 Meritor Q Plus	16-1/2"	7"	Premium 20K
	RRS4709E2ECN20	Shoe - 4709 - 16.5 x 7, ES2	16-1/2"	7"	Economy 20K
	RRS4709E2STD20	Shoe - 4709 - 16.5 x 7, ES2	16-1/2"	7"	Standard 20K
	RRS4709E2PR20	Shoe - 4709 - 16.5 x 7, ES2	16-1/2"	7"	Premium 20K
	RRS4709EECN20	Shoe - 4709 - 16.5 x 7, ES1	16-1/2"	7"	Economy 20K
	RRS4709ESTD20	Shoe - 4709 - 16.5 x 7, ES1	16-1/2"	7"	Standard 20K
	RRS4709EPR20	Shoe - 4709 - 16.5 x 7, ES1	16-1/2"	7"	Premium 20K
		RRK4311EECN20	Kit - 4311 - 16.5 x 7	16-1/2"	7"
RRK4311ESTD20		Kit - 4311 - 16.5 x 7	16-1/2"	7"	Standard 20K
RRK4311EPR20		Kit - 4311 - 16.5 x 7	16-1/2"	7"	Premium 20K

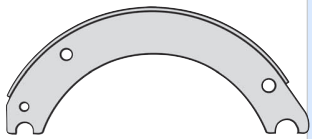
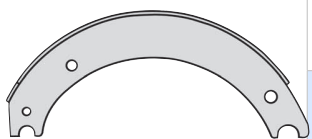
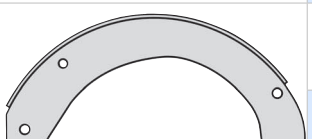
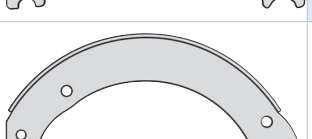
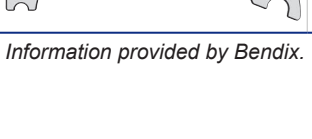

Product	Part Number	Description	Diameter	Width	Lining
	RRK4515QECN20	Kit - 4515Q - 16.5 x 7 Rockwell Meritor	16-1/2"	7"	Economy 20K
	RRK4515QSTD20	Kit - 4515Q - 16.5 x 7 Rockwell Meritor	16-1/2"	7"	Standard 20K
	RRK4515QPR20	Kit - 4515Q - 16.5 x 7 Rockwell Meritor	16-1/2"	7"	Premium 20K
	RRK4515X3ECN20	Kit - 4515Q - 16.5 x 7 Fruehauf XEM 3rd	16-1/2"	7"	Economy 20K
	RRK4515X3STD20	Kit - 4515Q - 16.5 x 7 Fruehauf XEM 3rd	16-1/2"	7"	Standard 20K
	RRK4515X3PR20	Kit - 4515Q - 16.5 x 7 Fruehauf XEM 3rd	16-1/2"	7"	Premium 20K
Image Not Available	RRK4707QECN20	Kit - 4707Q - 16.5 x 7 Meritor Q Plus	16-1/2"	7"	Economy 20K
	RRK4707QSTD20	Kit - 4707Q - 16.5 x 7 Meritor Q Plus	16-1/2"	7"	Standard 20K
	RRK4707QPR20	Kit - 4707Q - 16.5 x 7 Meritor Q Plus	16-1/2"	7"	Premium 20K
	RRK4709E2ECN20	Kit - 4709 - 16.5 x 7, ES2	16-1/2"	7"	Economy 20K
	RRK4709E2STD20	Kit - 4709 - 16.5 x 7, ES2	16-1/2"	7"	Standard 20K
	RRK4709E2PR20	Kit - 4709 - 16.5 x 7, ES2	16-1/2"	7"	Premium 20K
	RRK4709EECN20	Kit - 4709 - 16.5 x 7, ES1	16-1/2"	7"	Economy 20K
	RRK4709ESTD20	Kit - 4709 - 16.5 x 7, ES1	16-1/2"	7"	Standard 20K
	RRK4709EPR20	Kit - 4709 - 16.5 x 7, ES1	16-1/2"	7"	Premium 20K

## BENDIX SHOES

Table 1-12: Brake Shoes – Bendix

Product	Part Number	Description	New/Reman	Lining
	KT4311EBLKBXR	Reman Brake Kit	Reman	20K Economy
	KT4515QBLKBXR	Reman Brake Kit	Reman	20K Economy
	EX4515QBLKBXR	Reman Brake Shoe	Reman	20K Economy
	KT4515X3BLKBXR	Reman Brake Kit	Reman	20K Economy
	KT4692FC11BLKBXR	Reman Brake Kit	Reman	20K Economy

Information provided by Bendix.

Product	Part Number	Description	New/Reman	Lining
	EX4703RBLKBXR	Reman Brake Shoe	Reman	20K Economy
	KT4707RBLKBXR	Reman Brake Kit	Reman	20K Economy
	EX4707RBLKBXR	Reman Brake Shoe	Reman	20K Economy
	KT4709E11BLKBXR	Reman Brake Kit	Reman	20K Economy
	4709E11BLKBXW	New Lined Shoe	New	20K Economy
	KT4718RBLKBXR	Reman Brake Kit	Reman	20K Economy

Information provided by Bendix.

## HALDEX SHOES

Table 1-13: Brake Shoes – Haldex

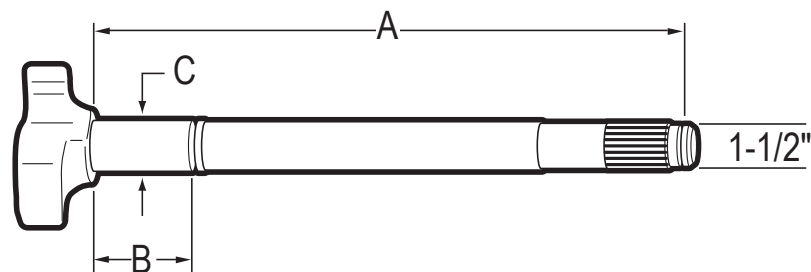
Part Number	Description	Diameter	Width
HV774515QJ	Brake Shoe Kit		
HV774709ES2J	Brake Shoe Kit		
HV774311EG	Relined Gripper Kit	16-1/2"	7"
HV774515QG	Relined Gripper Kit	16-1/2"	7"
HV774515TG	Relined Gripper Kit	16-1/2"	7"
HV774515X3G	Relined Gripper Kit	16-1/2"	7"
HV774707QG	Relined Gripper Kit	16-1/2"	7"
HV774709ES2G	Relined Gripper Kit	16-1/2"	7"
HV774709ESG	Relined Gripper Kit	16-1/2"	7"
HV884311EG	Relined Gripper Kit	16-1/2"	7"
HV884515QG	Relined Gripper Kit	16-1/2"	7"
HV884515TG	Relined Gripper Kit	16-1/2"	7"
HV884515X3G	Relined Gripper Kit	16-1/2"	7"
HV884707QG	Relined Gripper Kit	16-1/2"	7"
HV884709ES2G	Relined Gripper Kit	16-1/2"	7"
HV884709ESG	Relined Gripper Kit	16-1/2"	7"
HV774311ER	Relined Shoe	16-1/2"	7"
HV774515QR	Relined Shoe	16-1/2"	7"

Information provided by Haldex.

<i>Part Number</i>	<i>Description</i>	<i>Diameter</i>	<i>Width</i>
HV774515TR	Relined Shoe	16-1/2"	7"
HV774515X3R	Relined Shoe	16-1/2"	7"
HV774707QR	Relined Shoe	16-1/2"	7"
HV774709ES2R	Relined Shoe	16-1/2"	7"
HV774709ESR	Relined Shoe	16-1/2"	7"
HV884311ER	Relined Shoe	16-1/2"	7"
HV884515QR	Relined Shoe	16-1/2"	7"
HV884515TR	Relined Shoe	16-1/2"	7"
HV884515X3R	Relined Shoe	16-1/2"	7"
HV884707QR	Relined Shoe	16-1/2"	7"
HV884709ES2R	Relined Shoe	16-1/2"	7"
HV884709ESR	Relined Shoe	16-1/2"	7"

*Information provided by Haldex.*

# CAMSHAFTS



## TRP® CAMSHAFTS

Table 1-14: Camshafts – TRP®

Part Number	Description	Head End	Spline	A	B	C
CS1425	Camshaft, 1-1/2"-10 Spline, LH, 20-3/8"	LH	1-1/2"-10	20-3/8"	2-7/32"	1-1/2"
CS1424	Camshaft, 1-1/2"-10 Spline, RH, 20-3/8"	RH	1-1/2"-10	20-3/8"	2-7/32"	1-1/2"
CS1095	Camshaft, 1-1/2"-10 Spline, LH, 23-7/16"	LH	1-1/2"-10	23-7/16"	2-7/32"	1-1/2"
CS1094	Camshaft, 1-1/2"-10 Spline, RH, 23-7/16"	RH	1-1/2"-10	23-7/16"	2-7/32"	1-1/2"
CS7219	Camshaft, 1-1/2"-10 Spline, LH, 26-1/2"	LH	1-1/2"-10	26-1/2"	2-7/32"	1-1/2"
CS7220	Camshaft, 1-1/2"-10 Spline, RH, 26-1/2"	RH	1-1/2"-10	26-1/2"	2-7/32"	1-1/2"
CS1425A	Camshaft, 1-1/2"-10 Spline, Q, LH, 20-3/8"	LH	1-1/2"-10	20-3/8"	2-7/32"	1-1/2"
CS1424A	Camshaft, 1-1/2"-10 Spline, Q, RH, 20-3/8"	RH	1-1/2"-10	20-3/8"	2-7/32"	1-1/2"
CS5520	Camshaft, 1-1/2"-10 Spline, Q, LH, 23-7/16"	LH	1-1/2"-10	23-7/16"	2-7/32"	1-1/2"
CS5521	Camshaft, 1-1/2"-10 Spline, Q, RH, 23-7/16"	RH	1-1/2"-10	23-7/16"	2-7/32"	1-1/2"
CS5524	Camshaft, 1-1/2"-28 Spline, LH, 20-3/8"	LH	1-1/2"-28	20-3/8"	2-7/32"	1-1/2"
CS5525	Camshaft, 1-1/2"-28 Spline, RH, 20-3/8"	RH	1-1/2"-28	20-3/8"	2-7/32"	1-1/2"
CS5526	Camshaft, 1-1/2"-28 Spline, LH, 23-1/2"	LH	1-1/2"-28	23-1/2"	2-7/32"	1-1/2"
CS5527	Camshaft, 1-1/2"-28 Spline, RH, 23-1/2"	RH	1-1/2"-28	23-1/2"	2-7/32"	1-1/2"
CS9100	Camshaft, 1-1/2"-28 Spline, LH, 24"	LH	1-1/2"-28	24"	2-7/32"	1-1/2"
CS9101	Camshaft, 1-1/2"-28 Spline, RH, 24"	RH	1-1/2"-28	24"	2-7/32"	1-1/2"
CS9731	Camshaft, 1-1/2"-28 Spline, LH, 17-3/8"	LH	1-1/2"-28	17-3/8"	2-7/32"	1-5/8"
CS9732	Camshaft, 1-1/2"-28 Spline, RH, 17-3/8"	RH	1-1/2"-28	17-3/8"	2-7/32"	1-5/8"
CS9733	Camshaft, 1-1/2"-28 Spline, LH, 20-3/8"	LH	1-1/2"-28	20-3/8"	2-7/32"	1-5/8"
CS9734	Camshaft, 1-1/2"-28 Spline, RH, 20-3/8"	RH	1-1/2"-28	20-3/8"	2-7/32"	1-5/8"
CS9735	Camshaft, 1-1/2"-28 Spline, LH, 23-1/2"	LH	1-1/2"-28	23-1/2"	2-7/32"	1-5/8"
CS9736	Camshaft, 1-1/2"-28 Spline, RH, 23-1/2"	RH	1-1/2"-28	23-1/2"	2-7/32"	1-5/8"
CS10909	Camshaft, 1-1/2"-28 Spline, LH, 24-1/8"	LH	1-1/2"-28	24-1/8"	2-7/32"	1-5/8"
CS10910	Camshaft, 1-1/2"-28 Spline, RH, 24-1/8"	RH	1-1/2"-28	24-1/8"	2-7/32"	1-5/8"
CS9059	Camshaft, 1-1/2"-28 Spline, LH, 23-11/16"	LH	1-1/2"-28	23-11/16"	2-7/32"	1-5/8"
CS9060	Camshaft, 1-1/2"-28 Spline, RH, 23-11/16"	RH	1-1/2"-28	23-11/16"	2-7/32"	1-5/8"
CS3856	Camshaft, 1-1/2"-28 Spline, LH, 23-1/2"	LH	1-1/2"-28	23-1/2"	2-7/32"	1-1/2"
CS3857	Camshaft, 1-1/2"-28 Spline, RH, 23-1/2"	RH	1-1/2"-28	23-1/2"	2-7/32"	1-1/2"
CS2441A	Camshaft, 1-1/2"-28 Spline, LH, 17-5/16"	LH	1-1/2"-28	17-5/16"	1-23/32"	1-5/8"



Part Number	Description	Head End	Spline	A	B	C
CS2442A	Camshaft, 1-1/2"-28 Spline, RH, 17-5/16"	RH	1-1/2"-28	17-5/16"	1-23/32	1-5/8"
CS11860	Camshaft, 1-1/2"-28 Spline, LH, 26-1/4"	LH	1-1/2"-28	26-1/4"	2-7/32"	1-5/8"
CS11861	Camshaft, 1-1/2"-28 Spline, RH, 26-1/4"	RH	1-1/2"-28	26-1/4"	2-7/32"	1-5/8"
CS2445A	Camshaft, 1-1/2"-28 Spline, LH, 24-1/16"	LH	1-1/2"-28	24-1/16"	1-23/32"	1-5/8"
CS2446A	Camshaft, 1-1/2"-28 Spline, RH, 24-1/16"	RH	1-1/2"-28	24-1/16"	1-23/32"	1-5/8"
CS9091	Camshaft, 1-1/2"-28 Spline, LH, 17-5/16"	LH	1-1/2"-28	17-5/16"	1-63/64"	1-5/8"
CS9092	Camshaft, 1-1/2"-28 Spline, RH, 17-5/16"	RH	1-1/2"-28	17-5/16"	1-63/64"	1-5/8"
CS9093	Camshaft, 1-1/2"-28 Spline, LH, 20-13/32"	LH	1-1/2"-28	20-13/32"	1-63/64"	1-5/8"
CS9094	Camshaft, 1-1/2"-28 Spline, RH, 20-13/32"	RH	1-1/2"-28	20-13/32"	1-63/64"	1-5/8"
CS6082	Camshaft, 1-1/2"-28 Spline, LH, 24-1/16"	LH	1-1/2"-28	24-1/16"	1-63/64"	1-5/8"
CS6081	Camshaft, 1-1/2"-28 Spline, RH, 24-1/16"	RH	1-1/2"-28	24-1/16"	1-63/64"	1-5/8"
CS11866	Camshaft, 1-1/2"-28 Spline, LH, 11-1/16"	LH	1-1/2"-28	11-1/16"	2-5/16"	1-1/2"
CS11867	Camshaft, 1-1/2"-28 Spline, RH, 11-1/16"	RH	1-1/2"-28	11-1/16"	2-5/16"	1-1/2"
CS5506	Camshaft, 1-1/2"-28 Spline, Q, LH, 17-5/16"	LH	1-1/2"-28	17-5/16"	1-63/64"	1-5/8"
CS5507	Camshaft, 1-1/2"-28 Spline, Q, RH, 17-5/16"	RH	1-1/2"-28	17-5/16"	1-63/64"	1-5/8"
CS5508	Camshaft, 1-1/2"-28 Spline, Q, LH, 20-13/32"	LH	1-1/2"-28	20-13/32"	1-63/64"	1-5/8"
CS5509	Camshaft, 1-1/2"-28 Spline, Q, RH, 20-13/32"	RH	1-1/2"-28	20-13/32"	1-63/64"	1-5/8"
CS5510	Camshaft, 1-1/2"-28 Spline, Q, RH, 24-1/16"	RH	1-1/2"-28	24-1/16"	1-63/64"	1-5/8"
CS5511	Camshaft, 1-1/2"-28 Spline, Q, RH, 24-1/16"	RH	1-1/2"-28	24-1/16"	1-63/64"	1-5/8"
CS2441B	Camshaft, 1-1/2"-28 Spline, Q, LH, 17-5/16"	LH	1-1/2"-28	17-5/16"	1-45/64"	1-5/8"
CS2442B	Camshaft, 1-1/2"-28 Spline, Q, RH, 17-5/16"	RH	1-1/2"-28	17-5/16"	1-45/64"	1-5/8"
CS2443B	Camshaft, 1-1/2"-28 Spline, Q, LH, 20-13/32"	LH	1-1/2"-28	20-13/32"	1-45/64"	1-5/8"
CS2444B	Camshaft, 1-1/2"-28 Spline, Q, RH, 20-13/32"	RH	1-1/2"-28	20-13/32"	1-45/64"	1-5/8"
CS2445B	Camshaft, 1-1/2"-28 Spline, Q, LH, 24-1/16"	LH	1-1/2"-28	24-1/16"	1-45/64"	1-5/8"
CS2446B	Camshaft, 1-1/2"-28 Spline, Q, RH, 24-1/16"	RH	1-1/2"-28	24-1/16"	1-45/64"	1-5/8"
CS2099	Camshaft, 1-5/8"-37 Spline, LH, Fruehauf, 21-1/8"	LH	1-5/8"-37	21-1/8"	2-5/32"	1-5/8"
CS2100	Camshaft, 1-5/8"-37 Spline, RH, Fruehauf, 21-1/8"	RH	1-5/8"-37	21-1/8"	2-5/32"	1-5/8"
CS1563	Camshaft, 1-5/8"-37 Spline, LH, Fruehauf, 16-1/8"	LH	1-5/8"-37	16-1/8"	2-5/32"	1-5/8"
CS1564	Camshaft, 1-5/8"-37 Spline, RH, Fruehauf, 16-1/8"	RH	1-5/8"-37	16-1/8"	2-5/32"	1-5/8"
CS3861	Camshaft, 1-5/8"-37 Spline, LH, Fruehauf, 23-7/8"	LH	1-5/8"-37	23-7/8"	2-7/32"	1-5/8"
CS3862	Camshaft, 1-5/8"-37 Spline, RH, Fruehauf, 23-7/8"	RH	1-5/8"-37	23-7/8"	2-7/32"	1-5/8"

## ARVINMERITOR CAMSHAFTS

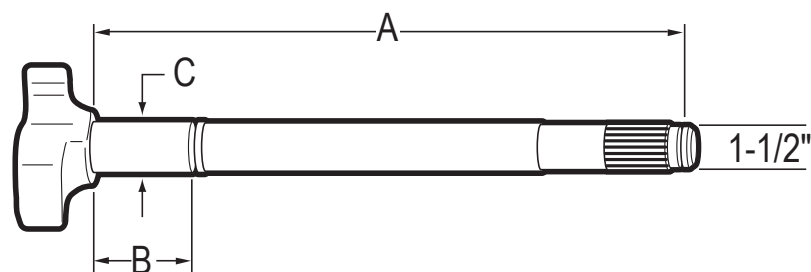


Table 1-15: Camshafts – ArvinMeritor

Part Number	Application	Head End	A	1st Snap Ring	B	C
2210C6867	1-1/2"-28 Spline for Trailer Axles w/ Meritor Q+ Brakes. Fabricated w/ bolt-on bushings	LH	17-5/16"	1-45/64"	2-1/4"	1-5/8"
2210E6869	1-1/2"-28 Spline for Trailer Axles w/ Meritor Q+ Brakes. Fabricated w/ bolt-on bushings	LH	24-1/16"	1-63/64"	2-1/4"	1-5/8"
2210B6866	1-1/2"-28 Spline for Trailer Axles w/ Meritor Q+ Brakes. Fabricated w/ bolt-on bushings	RH	17-5/16"	1-45/64"	2-1/4"	1-5/8"
2210D6868	1-1/2"-28 Spline for Trailer Axles w/ Meritor Q+ Brakes. Fabricated w/ bolt-on bushings	RH	24-1/16"	1-63/64"	2-1/4"	1-5/8"
2210Q8155	1-1/2"-28 Spline for Trailer Axles w/ Meritor Q+ Brakes. Fabricated spiders w/ weld-on bushings	RH	17-5/16"	1-45/64"	1-61/64"	1-5/8"
R607001	1-1/2"- 10 Spline for Trailer Axles	RH	23-15/32"	1-5/8"	2-1/2"	1-1/2"
R607002	1-1/2"- 10 Spline for Trailer Axles	LH	23-15/32"	1-5/8"	2-1/2"	1-1/2"
R607325	1-1/2"-28 Spline for Hendrickson Intraax Trailer Axles	LH	11-1/32"	2-5/16"		1-1/2"
R607326	1-1/2"-28 Spline for Hendrickson Intraax Trailer Axles	RH	11-1/32"	2-5/16"		1-1/2"
2210R8156	1-1/2"-28 Spline for Trailer Axles w/ Meritor Q+ Brakes. Fabricated spiders w/ weld-on bushings	LH	17-5/16"	1-45/64"	1-61/64"	1-5/8"
R607171	1-1/2"-28 Spline for Spicer Trailer Axle w/ 16-1/2" Brakes	LH	23-1/2"	1-5/8"	2-1/2"	1-1/2"
R607172	1-1/2"-28 Spline for Spicer Trailer Axle w/ 16-1/2" Brakes	RH	23-1/2"	1-5/8"	2-1/2"	1-1/2"
R607162	1-19/32"-37 Spline for Fruehauf "Pro-Par" Trailer Axles	LH	23-7/8"	2-5/32"	2-1/2"	1-5/8"
2210V8160	1-1/2"-28 Spline for Trailer Axles w/ Meritor Q+ Brakes. Fabricated spiders w/ weld-on bushings	LH	24-1/16"	1-63/64"	1-61/64"	1-5/8"
2210C7959	15" Q+ Brakes	RH	23-3/8"	1-63/64"		1-5/8"
2210U8159	1-1/2"-28 Spline for Trailer Axles w/ Meritor Q+ Brakes. Fabricated spiders w/ weld-on bushings	RH	24-1/16"	1-63/64"	1-61/64"	1-5/8"

Information provided by ArvinMeritor.

# HARDWARE KITS

## TRP® BUSHING KITS

Table 1-16: TRP® Camshaft Repair/Bushing Kits

<i>Part Number</i>	<i>Description</i>
CK1357	Repair Kit "P" Early Meritor
CK2088HD	Repair Kit "P" Heavy Duty Late Rockwell
CK2088	Repair Kit "P" Late Rockwell
CK9079HD	Repair Kit "Q", "Q+" Heavy Duty Meritor Trailer
CK9079	Repair Kit "Q", "Q+" Meritor Trailer
CK2680	Repair Kit 12-1/4" Heavy Duty Spicer Std Forge
CK2526	Repair Kit 12-1/4" Spicer Std Forge
CK5307	Repair Kit 12-1/4", "U" Brakes
CK2122	Repair Kit 12-1/4", 16-1/2", Fruehauf, Pro-Par Early
CK437117	Repair Kit 12-1/4", Dana FC-III
CK437118	Repair Kit 12-1/4", Dana FC-III w/ Bracket
CK2496	Repair Kit 12-1/4", Late Model
CK2382	Repair Kit 12-1/4", 16-1/2", Rockwell 4K-6K
CK2090	Repair Kit 12-1/4", 16-5/8", Fruehauf, Late Pro-Par
CK3520	Repair Kit 12-1/4", 16-5/8", Rockwell 4K-6K
CK3520HD	Repair Kit 12-1/4", 16-5/8", Rockwell 4K-6K
CK9078HD	Repair Kit 16-1/2" "Q", "P" Heavy Duty Meritor
CK9078	Repair Kit 16-1/2" "Q", "P" Meritor
CK6078	Repair Kit 16-1/2" Q Meritor
CK2363	Repair Kit 16-1/2", "P" Late Rockwell
CK2679	Repair Kit 16-1/2", "P" Meritor
CK9790	Repair Kit 16-1/2", 1-5/8 Journal Spicer
CK2287	Repair Kit 16-1/2", Bolt Spider
CK2087	Repair Kit 16-1/2", Dana Kershaw
CK2679HD	Repair Kit 16-1/2", Heavy Duty, "P" Meritor
CK9791HD	Repair Kit 16-1/2", Heavy Duty, Intraax
CK9791	Repair Kit 16-1/2", Intraax
CK3989HD	Repair Kit 16-1/2", Meritor, 4K-6K, Late
CK11450	Repair Kit Kit (Trailer)
CK11450HD	Repair Kit Kit (Trailer)
CK11897	Repair Kit Kit (Trailer)
CK3989	Repair Kit Kit (Trailer)
CK2291	Repair Kit, Spider Bushing, 1-1/2" Dia, 5K Series
CK2670	Repair Kit, Spider Bushing, 1-5/8 Dia, 4K-6K Series

## ARVINMERITOR HARDWARE KITS

Table 1-17: Brake Hardware/Repair Kits – ArvinMeritor

Part Number	Description	Comments
<b>BRAKE SHOE KITS</b>		
SMA2124703QP	Lined Brakes Shoe; MA212 Lining; 4703QP, 15" x 5" Meritor Q+	
KMG14709ES2	Brake Shoe Kit; MG1 Lining; 4709ES2, 16-1/2" x 7" Eaton Extended Service 2nd Generation	
PKSMA2124515Q	Brake Shoe Kit; MA212 Lining; 4515Q, 16-1/2" x 7" Meritor Q	
KSMA2124707QP	Brake Shoe Kit; MA212 Lining; 4707QP, 16-1/2" x 7" Meritor Q+	
KSMA2124515Q	Brake Shoe Kit; MA212 Lining; 4515Q, 16-1/2" x 7" Meritor Q	
PKSMA2124707QP	Brake Shoe Kit; MA212 Lining; 4707QP, 16-1/2" x 7" Meritor Q+	
KSMA2124709E2	Brake Shoe Kit; MA212 Lining; 4709ES2, 16-1/2" x 7" Eaton Extended Service 2nd Generation	
KEG4709ES2	Brake Shoe Kit; EG Lining; 4709ES2- 16-1/2" x 7" Eaton Extended Service 2nd Generation	
KMG14524QR	Brake Shoe Kit; MG1 Lining; 4524QR- 16-1/2" x 5" Meritor Q w/ Relocated Return Spring Hole	
KMG14515Q-B32	Brake Shoe Kit; MG1 Lining; 4515Q, 16-1/2" x 7" Meritor Q	
KMG14524Q	Brake Shoe Kit; MG1 Lining; 4524Q, 16-1/2" x 5" Meritor Q	
KMG14709ES	Brake Shoe Kit; MG1 Lining; 4709ES, 16-1/2" x 7" Eaton Extended Service 1st Generation	
KMG14311E	Brake Shoe Kit; MG1 Lining; 4311E, 16-1/2" x 7" Eaton	
KMG14707QP	Brake Shoe Kit; MG1 Lining; 4707QP, 16-1/2" x 7" Meritor Q+	
KMG14515Q	Brake Shoe Kit; MG1 Lining; 4515Q, 16-1/2" x 7" Meritor Q;	
KSMA2124720QP	Brake Shoe Kit; MA212 Lining; 4720QP, 16-1/2" x 5" Meritor Q+	
KSMA2124515Q-B32	Brake Shoe Kit; MA212 Lining; 4515Q, 16-1/2" x 7" Meritor Q	
KSMA2124707QP-B32	Brake Shoe Kit; MA212 Lining; 4707QP, 16-1/2" x 7" Meritor Q+	
KMG14311E-B32	Brake Shoe Kit; MG1 Lining; 4311E, 16-1/2" x 7" Eaton	
KMG14515F-B32	Brake Shoe; MA212 Lining; 4515F3, 16-1/2" x 7" Freuhauf;	
KMG14707QP-B32	Brake Shoe Kit; MG1 Lining; 4707QP, 16-1/2" x 7" Meritor Q+	
KMG14709ES2B32	Brake Shoe Kit; MG1 Lining; 4709ES2, 16-1/2" x 7" Eaton Extended Service 2nd Generation	
KMG14709ES-B32	Brake Shoe Kit; MG1 Lining; 4709ES, 16-1/2" x 7" Eaton Extended Service 1st Generation	
KSMA2124719E	Brake Shoe Kit; MA212 Lining; 4719E, 16-1/2" x 5" Eaton Extended Service	
KSMA2124711QP	Brake Shoe Kit; MA212 Lining; 4711QP, 16-1/2" x 8-5/8" Meritor Q+	
PKSMA2124707QPB32	Brake Shoe Kit; MA212 Lining; 4707QP, 16-1/2" x 7" Meritor Q+	
KEG4707QP	Brake Shoe Kit; EG Lining; 4707QP, 16-1/2" x 7" Meritor Q+	
SMA2124710QP	Brake Shoe; MA212 Lining; 4710QP	
KEG4515F	Brake Shoe Kit; EG Lining; 4515F, 16-1/2" x 7" Freuhauf	
KEG4515Q	Brake Shoe Kit; EG Lining; 4515Q, 16-1/2" x 7" Meritor Q	
SMA2124311E	Brake Shoe; MA212 Lining; 4311E, 16-1/2" x 7" Eaton	
SMA2124515F3	Brake Shoe; MA212 Lining; 4515F3, 16-1/2" x 7" Freuhauf	
SMG14515Q-B48	Brake Shoe; MG1 Lining; 4515Q, 16-1/2" x 7" Meritor Q	
PSMA2124515Q-B48	Brake Shoe; MA212 Lining; 4515Q, 16-1/2" x 7" Meritor Q	
<b>HARDWARE KITS</b>		
MKT4515X	Brake Hardware Kit, 16-1/2" Feuhauf XEM3	
MKT4515XHD	Brake Hardware Kit, 16-1/2" Feuhauf XEM3	Includes HD Return Spring
MKT4311EHDB	Brake Hardware Kit, 16-1/2" Eaton	
MKT4515QB	Brake Hardware Kit, 16-1/2" Meritor Q	

Information provided by ArvinMeritor.

Part Number	Description	Comments
MKT4515QHDB	Brake Hardware Kit, 16-1/2" Meritor Q & Q+	Includes HD Return Spring
MKT4515QMBB	Brake Hardware Kit, 16-1/2" Meritor Q	Minus Bushings
MKT4515QMBHDB	Brake Hardware Kit, 16-1/2" Meritor Q & Q+	Includes HD Return Spring; Minus Bushings
MKT4709ESB	Brake Hardware Kit, 16-1/2" Eaton Extended Service	
MKT4515P	Brake Hardware Kit, 16-1/2" Meritor P	
MKT4515PHD	Brake Hardware Kit, 16-1/2" Meritor P	Includes HD Return Spring
MKT4515U	Brake Hardware Kit, 16-1/2" Meritor Q	Minus Anchor Pins and Anchor Pin Bushings
MKT4515UHD	Brake Hardware Kit, 16-1/2" Meritor Q	Includes HD Return Spring; Minus Anchor Pins and Anchor Pin Bushings
MKT4709ES2B	Brake Hardware Kit, 16-1/2" Eaton Extended Service 2nd Generation	
S3155L1234	Diagnostic Cable Mounting Bracket	

## REPAIR KITS

R507002	Brake Hardware Kit, 16-1/2" Eaton	
R507057	Brake Hardware Kit, 16-1/2" Eaton Extended Service	
R507064	Brake Hardware Kit, 16-1/2" Eaton Extended Service 2nd Generation	
R507008	Brake Hardware Kit, 16-1/2" Feuhauf (Propar)	
R507010	Brake Hardware Kit, 16-1/2" Feuhauf (Propar)	Includes HD Return Spring
R509000	Brake Hardware Kit, 16-1/2" Meritor P	
R509001	Brake Hardware Kit, 16-1/2" Meritor P	Includes HD Return Spring
K1T8000MBHD	Brake Hardware Kit, 16-1/2" Meritor Q & Q+	Includes HD Return Spring; Minus Bushings
K1T8014	Brake Hardware Kit, 16-1/2" Meritor Q	Minus Anchor Pins and Anchor Pin Bushings
K1T8000	Brake Hardware Kit, 16-1/2" Meritor Q	
K1T8000HD	Brake Hardware Kit, 16-1/2" Meritor Q & Q+	Includes HD Return Spring

Information provided by ArvinMeritor.

# BENDIX® BRAKE COMPONENTS\*

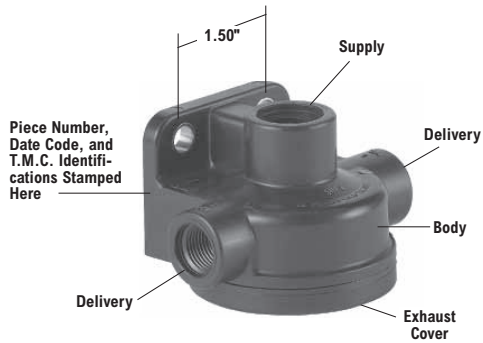
## QUICK RELEASE VALVES

### QRN-2™ Quick Release Valve

The QRN-2™ quick release valve is a lightweight, nonmetallic quick release valve.  
 Supply port: 1/2" or 3/8"  
 V.M.R.S. 13-010-008

Service New Pc. No.	Supply Port	Crack Press.	Delivery Ports
800064	3/8" NPT	0 PSI	3/8" NPT
800063	1/2" NPT	0 PSI	3/8" NPT
800219	1/2" P.T.C.	0 PSI	1/2" P.T.C.

P.T.C. - Push-to-connect fittings



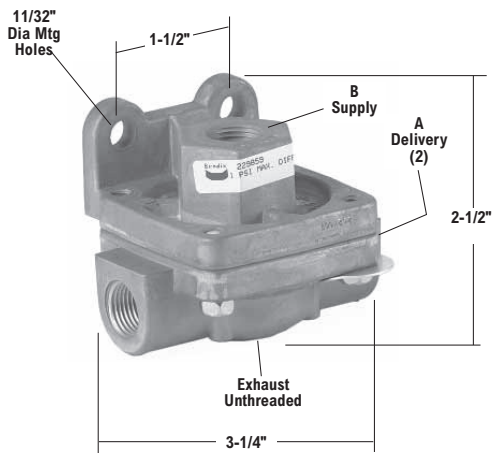
### QR-1® Quick Release Valve

- Available Remanufactured Exchange
- Use maintenance kit piece no. 260519 to convert 0 PSI crack pressure valves to 1 PSI

V.M.R.S. 13-010-008

Reman. Exch. Pc. No.	Service New Pc. No.	Port P.T. Size		Crack Press.	Comment
		A	B		
229813RX	229813N	1/4"	3/8"	0 PSI	
229844RX	229844N	1/4"	1/2"	0 PSI	
229859RX	229859N	3/8"	3/8"	0 PSI	
229860RX	229860N	3/8"	1/2"	0 PSI	
281024RX	281024N	1/4"	1/4"	0 PSI	
*288251RX	*288251N	3/8"	3/8"	0 PSI	
278483RX	278483N	3/8"	1/2"	5-8 PSI	
-	102344N	3/8"	3/8"	10-16 PSI	
289525RX	289042N	1/4"	3/8"	1 PSI max	w/insert
289525RX	289525N	3/8"	3/8"	1 PSI max	w/insert

\*3/8" P.T. Exhaust Port

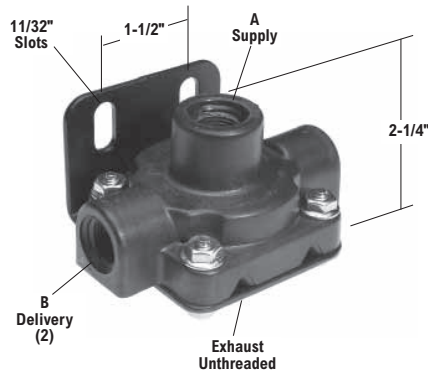


### QRN™ Quick Release Valve

- Maintenance Kit 104463

V.M.R.S. 13-010-008

Service New Pc. No.	Port Sizes		Crack Press	Mtg.
	A Supply	B Delivery		
802745	1/2"	3/8"	1 PSI Max	.34 holes
802743	3/8"	3/8"	1 PSI Max	.34 holes
802741	3/8"	3/8"	5-8 PSI	.34 holes
802744	3/8"	3/8"	1 PSI Max	.34 x .75 slots
065213	3/8"	3/8"	4.5-7.5 PSI	.34 x .75 slots
065214	3/8"	3/8"	2-4.5 PSI	.34 x .75 slots
802742	1/2"	3/8"	5-8 PSI	.34 holes
065311	1/2"	3/8"	4.5-7.5 PSI	.34 x .75 slots
065347	1/2"	3/8"	2-4.5 PSI	.34 x .75 slots
800439	1/2"	3/8"	2-4.5 PSI	-



\* Information provided by Bendix®.

# RELAY VALVES

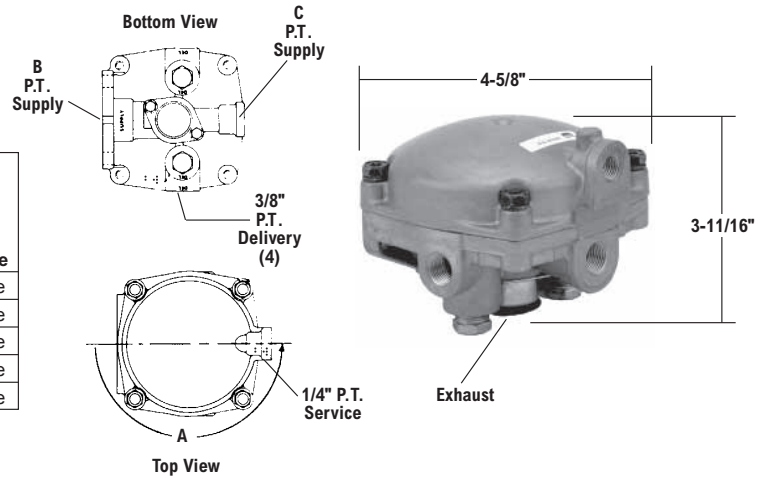
## R-6™ Relay Valve

- Available Remanufactured Exchange
- Maintenance Kit 280856N

V.M.R.S. 13-010-009

Reman. Exch. Pc. No.	Service New Relay Valve Pc. No.	A Degrees Service Port Angle	B P.T.	C P.T.	Mtg. Flange
—	279180N	180	—	3/8"	2 Hole
279952RX	279952N	180	3/4"	3/8"	2 Hole
280375RX	280375	90	—	1/2"	2 Hole
279952RX	*280651N	180	3/4"	3/8"	2 Hole
283940RX	283940N	270	3/8"	3/8"	4 Hole

\*Pipe Plugs & Gasket Attached  
Crack Pressure 2 P.S.I.



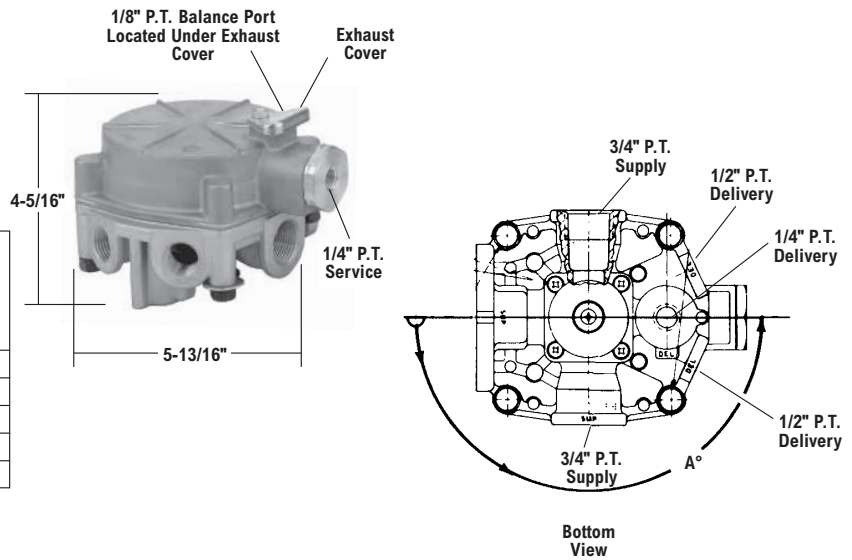
## R-8™ Relay Valve

- Available Remanufactured Exchange
- Maintenance Kit 287370N

V.M.R.S. 13-010-009

Reman. Exch. Pc. No.	Service New Pc. No.	A Service Port Location (Degree)	Comments
286370RX	286370N	90	
*286371RX	*286371N	90	
*287260RX	*287260N	180	
288369RX	288369N	180	
288781RX	288781	180	Waterproof

\*No Exhaust Cover

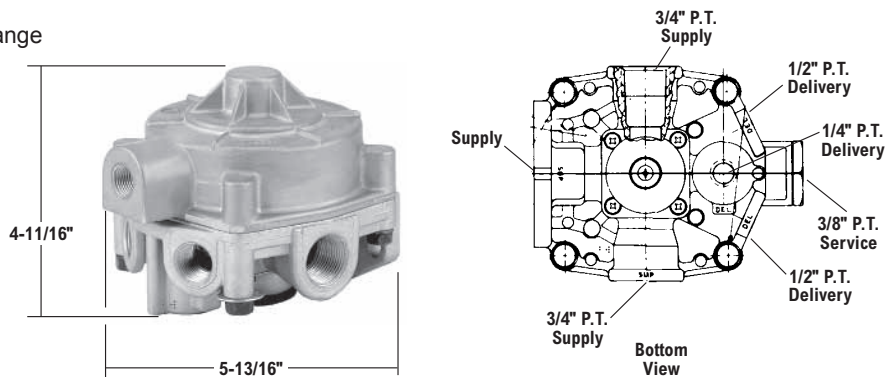


## R-8P™ Relay Valve

- Available Remanufactured Exchange
- Maintenance Kit 103799

V.M.R.S. 13-010-009

Reman. Exch. Pc. No.	Service New Pc. No.	Comments
287114RX	287114N	—



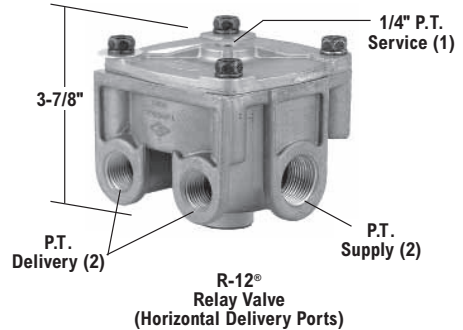
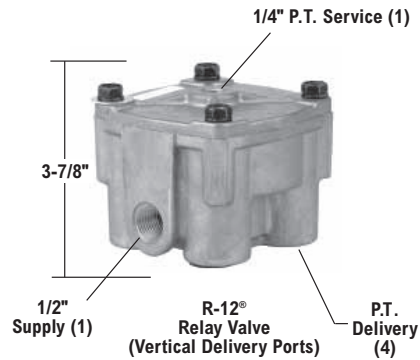
### R-12® Relay Valves

- Available Remanufactured Exchange
- All Universal R-12® and R-14® Relay Valves Include Installation Instructions and a Universal Mounting Bracket as indicated.

V.M.R.S. 13-010-009

#### Vertical Delivery Ports

Reman. Exch. Pc. No.	Service New Pc. No.	Crack Pressure (P.S.I.)	Delivery Port Size (P.T.)	Maint. Kit	Mounting Bracket
5003365X	065104	4	3/8"	102802N	296010N
-	065181	5.5	1/2"	102802N	296010N
102626RX	102626N	4	1/2"	102802N	296010N
103912RX	103912	7.5	1/2"	102802N	296010N
104561RX	-	5.5	3/8"	102802N	296010N
-	*800365	4	3/8"	102802N	296010N



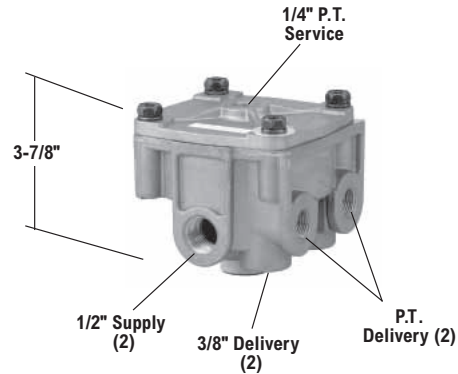
#### Horizontal Delivery Ports

Reman. Exch. Pc. No.	Service New Pc. No.	Crack Pressure (P.S.I.)	Supply Port Size (P.T.)	Maint. Kit	Mounting Bracket	Delivery (P.T.)
-	065125	5.5	1/2"	102802N	296010N	1/2"
-	065309	4	1/2"	102802N	296010N	1/2"
-	065546	4	1/2"	109523	296010N	1/2"
103009RX	103009N	4	3/4"	102802N	296010N	1/2"
104165RX	-	7.5	3/4"	102802N	296010N	1/2"
-	800238	4	3/4"	102802N	N/A	1/2"
-	800305	4	1/2"	5002831	296010N	1/2"
-	*800366	5.5	1/2"	5004029	296010N	3/8"
-	*800365	4	1/2"	5004029	296010N	1/2"

\*Self draining piston

#### R-12® Relay Valve Vert. (2) & Horizontal Delivery Ports

Service New Pc. No.	Crack Pressure (P.S.I.)	Delivery Port Size (P.T.)	Maint. Kit	Mounting Bracket
065206	5.5	3/8"	102802N	296010N
065303	4	3/8"	102802N	296010N
800095	4	3/8"	102802N	102846N**
800441	5.5	3/8"	102802N	102846N**
800483	5.5	1/2"	102802N	N/A
800484	5.5	1/2"	102802N	296010N
800485	4	1/2"	102802N	N/A
800486	4	1/2"	102802N	296010N
800508	5.5	1/2"	102802N	N/A



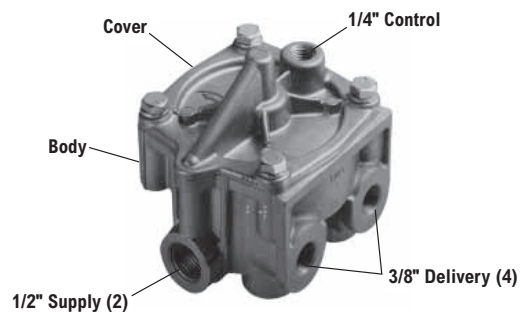
\*\*Mounting bracket 102846N includes two 5/16" mounting studs.

### R-12P™ Pilot Relay Valve

- Available Remanufactured Exchange
- Universal Mounting Bracket 296010 included
- Field Maintenance Kit 109265

V.M.R.S. 13-010-009

Service New Pc. No.	Reman. Exch. Pc. No.
065476	109264X





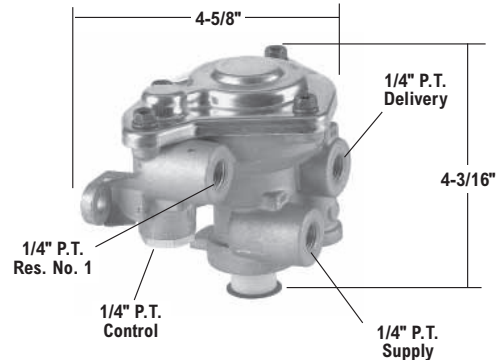
## SPRING BRAKE VALVES

### SR-1™ Spring Brake Valve

- Available Remanufactured Exchange
- Maintenance Kit 108123

V.M.R.S. 13-010-048

Reman. Exch. Pc. No.	Service New Pc. No.	Cust. Ident.	Reservoir Trip Press.
286364RX	286364N	NONE	55 PSI
288063RX	288063N	IHC-459271-C92	30 PSI



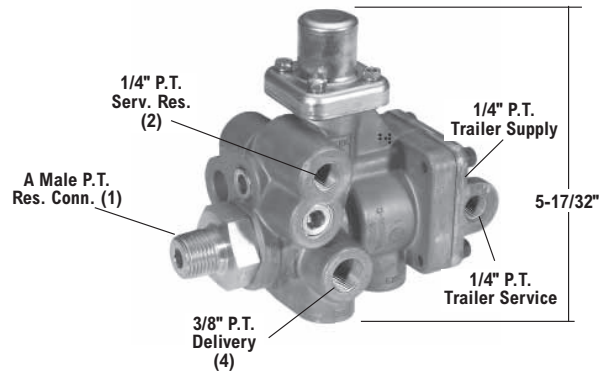
### SR-2™ Trailer Spring Brake Valve

- Available Remanufactured Exchange
- Maintenance Kit 287691

V.M.R.S. 13-010-048

Reman. Exch. Pc. No.	Service New Pc. No.	A P.T.
*287376RX	*287376N	3/4"
102761RX	102761N	3/4"
103061RX	103061N	1/2"

\*Does not have trailer service port for anti-compound

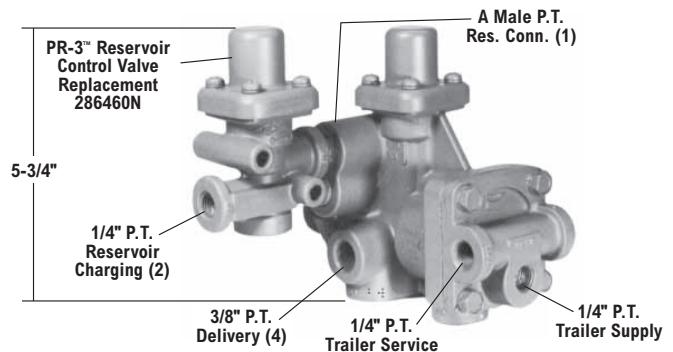


### SR-4™ Trailer Spring Brake Valve

- Available Remanufactured Exchange
- Maintenance Kit 102048

V.M.R.S. 13-010-048

Reman. Exch. Pc. No.	Service New Pc. No.	A P.T.
101112RX	107539N	3/4"
101622X	108076	1/2"

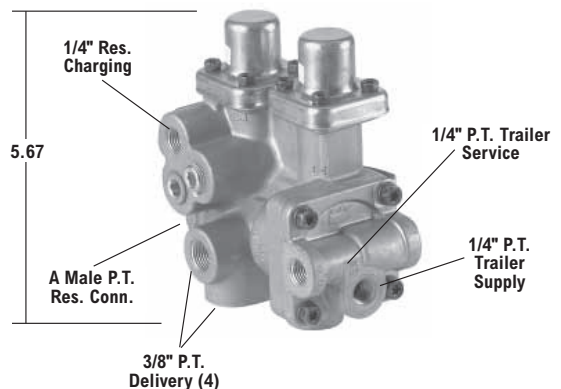


### SR-4™ New Configuration Trailer Spring Brake Valve

- Maintenance Kit 108259

V.M.R.S. 13-010-111

SR-4™ Trailer Spring Brake Valve Svc. New Pc. No.	SR-5™ Trailer Spring Brake Valve Svc. New Pc. No.	A	Comments
107539N	065437	3/4" NPT	With Anti-Compounding
-	065439	1/2" NPT	With Anti-Compounding

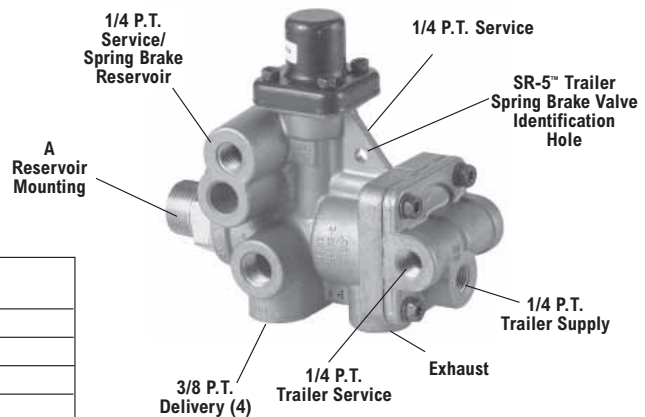


### SR-5™ Trailer Spring Brake Valve

• Maintenance Kit 109015

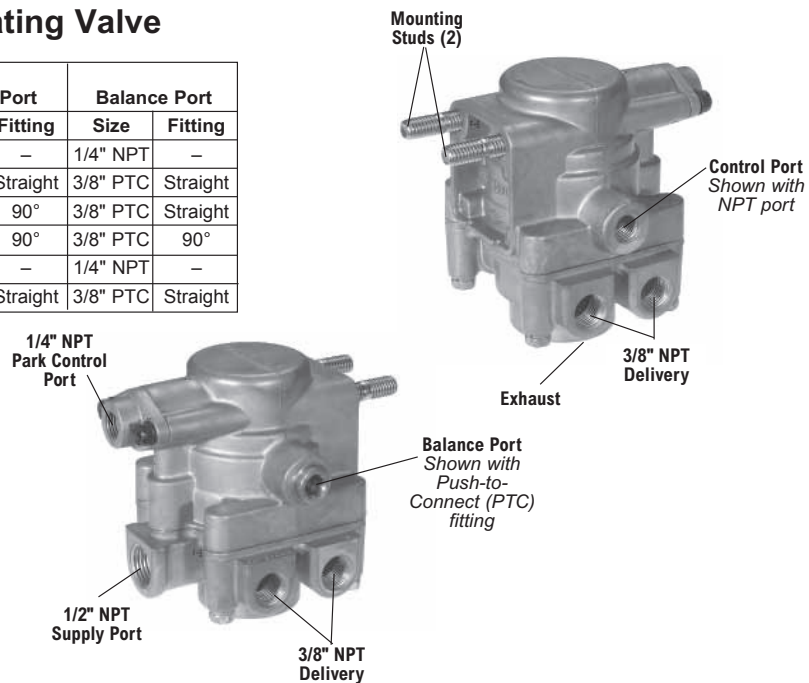
V.M.R.S. 13-010-048

Reman. Exch. Pc. No.	Service New Pc. No.	A Male P.T.	Comments
109615X	065437	3/4"	With Anti-Compounding
109616X	065438	3/4"	–
109617X	065439	1/2"	With Anti-Compounding
109618X	065440	1/2"	–



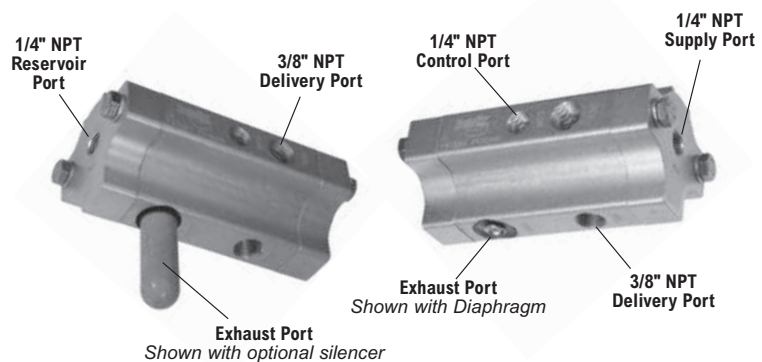
### SR-7® Spring Brake Modulating Valve

Service New Pc. No.	Mounting Stud		Control Port		Balance Port	
	Thd.	Length	Size	Fitting	Size	Fitting
K021557	3/8"-16	.94"	1/4" NPT	–	1/4" NPT	–
K021558	3/8"-16	.94"	3/8" PTC	Straight	3/8" PTC	Straight
K021559	3/8"-16	.94"	3/8" PTC	90°	3/8" PTC	Straight
K021560	M10	1.38"	3/8" PTC	90°	3/8" PTC	90°
K021562	–	–	1/4" NPT	–	1/4" NPT	–
K021563	–	–	3/8" PTC	Straight	3/8" PTC	Straight



### SDS-9600™ Trailer Suspension Dump Valve

Service New Pc. No.	Exhaust Style
K025843	3/8 NPT Port
K025844	Diaphragm



# MANUAL SLACK ADJUSTERS

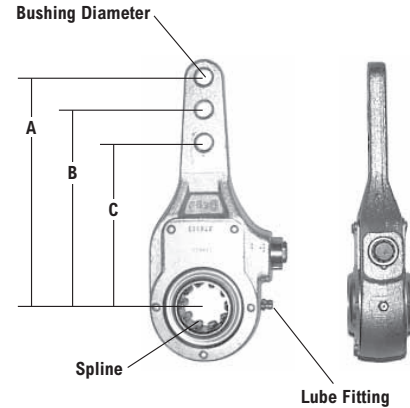
## Straight Arm

V.M.R.S. 13-001-030 (FRONT)  
13-002-028 (REAR)

### Selecting A Slack Adjuster

1. Determine if straight or offset arm. If offset determine if RH or LH is needed.
2. Identify spline size (diameter and number of teeth).
3. Select model needed.
4. Determine the arm hole used (if slack contains more than one).
5. Identify bushing diameter.

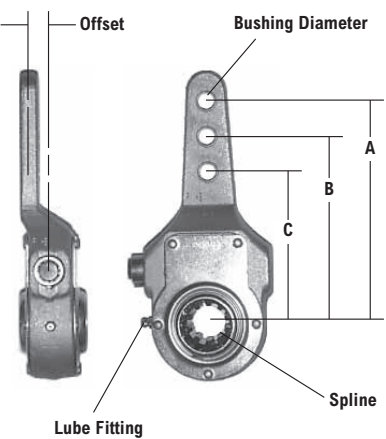
Service New Pc. No.	SAE Torque Rating-lbs	Spline	Teeth	Arm Length (in.)			Bushings Dia.	Lube Fitting	Fitting Direction
				A	B	C			
278302	26,000	1-1/4"	10	5.5	4.5	-	0.5	Straight	Straight
278305	26,000			7.0	6.0	5.0			
278323N	26,000	1-1/2"	10	7.0	6.0	5.0	0.5	Straight	Straight
278326N	26,000			6.5	5.5	-			
278008	30,000			6.5	5.5	-			
278010N	30,000			6.0	5.0	-			
278045N	30,000			7.0	6.0	5.0			
279634N	30,000			7.75	6.75	-			
101827N	26,000	1-1/2"	10	6.0	-	-	0.625	90 Deg. Straight	Left
277959N	26,000			6.5	5.5	-			
102110N	30,000			6.5	5.5	-			
278016N	30,000			6.5	5.5	-			
278017N	30,000			6.0	5.0	-			
278035N	30,000			7.5	5.5	-			
288282	26,000			1-1/2"	28	7.0			
286965N	26,000	6.0	5.0			-			
288753N	26,000	6.5	5.5			-			
287899N	30,000	6.5	5.5			-			
101133N	26,000	1-1/2"	28	6.0	5.0	-	0.625	Straight	Straight
101134	26,000			6.5	5.5	-			
101289N	26,000			6.5	5.5	-			
101290N	26,000			6.0	5.0	-			
101214N	30,000			6.5	5.5	-			
101215N	30,000			6.0	5.0	-			
101216N	30,000			7.0	-	-			
283411	26,000	1-5/8"	37	6.0	-	-	0.5	Straight	Straight



## Offset Arm

Left Hand (LH) Shown - Right Hand (RH) Opposite

Service New Pc. No.	SAE Torque Rating-lbs	Spline	Teeth	Arm Length (in.)			Bushings Dia.	Lube Fitting	Offset	Handed
				A	B	C				
278288	26,000	1-1/4"	10	6.0	5.0	4.0	0.5	Straight	0.625	RH
278289				6.0	5.0	4.0				LH
278294N				5.5	4.5	-				RH
278295				5.5	4.5	-				LH
278252	26,000	1-1/2"	10	5.5	4.5	-	0.5	Straight	0.625	RH
278253				5.5	4.5	-				LH
279300N				5.25	-	-				RH
279301N				5.25	-	-				LH
279946N				7.0	6.0	-				RH
279947N				7.0	6.0	-				LH
280424				6.0	5.0	4.0				RH
280425				6.0	5.0	4.0				LH
282560				6.5	5.5	-				RH
282561				6.5	5.5	-				LH
279309	20,000	1-1/2"	10	5.75	-	-	0.5	Straight	1.5	LH
279350				7.0	-	-				RH
279351N				7.0	-	-				LH
288539N				6.5	5.5	-				RH
288540N				6.5	5.5	-				LH
288541N				6.0	5.0	-				RH
288542N				6.0	5.0	-				LH
101413N				20,000	1-1/2"	28				5.5
101414N	5.5	-	-				RH			
287896	6.5	5.5	-				RH			
287897	6.5	5.5	-				LH			



# AUTOMATIC SLACK ADJUSTERS

## ASA-5® Automatic Slack Adjuster

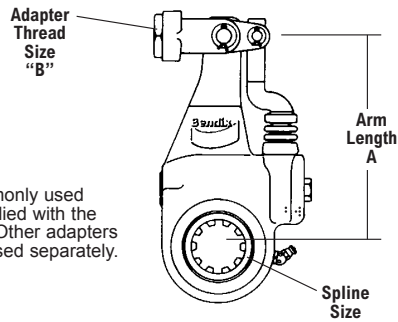
V.M.R.S. 013-001-030 (FRONT)

013-002-028 (REAR)

### ASA-5® Automatic Slack Adjuster Maintenance Kits

Kit Pc. No.	Description
107162	1/2" Adapter Kit - Quick Connect
107161N	5/8" Adapter Kit - Quick Connect
107157	Quick Connect Yoke Kit (Straight)
107159	Quick Connect Yoke Kit (Offset)
107158	Easy-On Yoke Kit (Straight)
107160	Easy-On Yoke Kit (Offset)

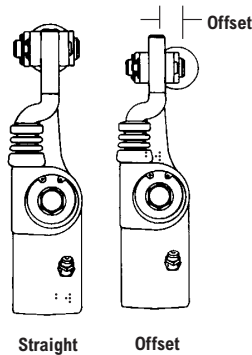
Kit contents at the end of this catalog section.



The most commonly used adapter is supplied with the slack adjuster. Other adapters may be purchased separately.

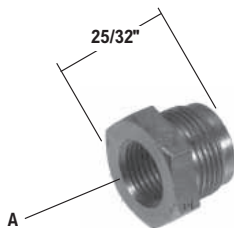


ASA-5® Automatic Slack Adjuster Exterior



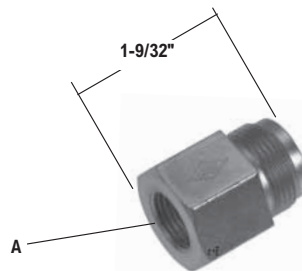
All offset slack adjusters are provided as shown. If the opposite offset is needed remove the yoke and rotate 180°.

### Standard Adapter



Service New Pc. No.	A Push Rod Thread Size
291452N	5/8"-18 UNF
292756N	1/2"-20 UNF

### Extended Adapter



Service New Pc. No.	A Push Rod Thread Size
297700N	5/8"-18 UNF
297701N	1/2"-20 UNF

ASA-5® Slack Adjuster Service Assy. Pc. No.	Arm Length A	Adapter Thread Size B	Yoke Offset	Service Parts/Kits	
				Adapter	Yoke
<b>1 1/4"-10C Spline</b>					
065162	5"	1/2"-20	5/8"	292756N	107160
065163	5-1/2"	5/8"-18	5/8"	291452N	107160
065244	5-1/2"	1/2"-20	5/8"	292756N	107160
065164	5-1/2"	1/2"-20	Straight	292756N	107158
801351	5-1/2"	5/8"-18	Straight	291452N	107158
801359	5"	5/8"-18	5/8"	291452N	107160
<b>1 1/4"-24 Spline</b>					
065166	5"	1/2"-20	5/8"	292756N	107160
065167	5-1/2"	5/8"-18	Straight	291452N	107158
065274	5-1/2"	1/2"-20	Straight	292756N	107158
801357	5"	5/8"-18	5/8"	291452N	107160
<b>1 1/2"-10C Spline</b>					
065168	5"	1/2"-20	Straight	292756N	107158
065169	5-1/2"	1/2"-20	5/8"	292756N	107160
065170	5-1/2"	5/8"-18	Straight	291452N	107158
065172	6"	5/8"-18	Straight	291452N	107158
801352	5"	5/8"-18	Straight	291452N	107158
801353	5-1/2"	1/2"-20	Straight	292756N	107158
801358	5-1/2"	5/8"-18	5/8"	291452N	107160
<b>1 1/2"-28 Spline</b>					
065173	5"	1/2"-20	Straight	292756N	107158
065174	5-1/2"	5/8"-18	Straight	291452N	107158
065176	6"	5/8"-18	Straight	291452N	107158
801354	5"	5/8"-18	Straight	291452N	107158
801355	5-1/2"	1/2"-20	Straight	292756N	107158
801356	6"	1/2"-20	Straight	292756N	107158
<b>1 5/8"-37 Spline</b>					
065177	6"	5/8"-18	Straight	291452N	107158
065178	5-1/2"	5/8"-18	Straight	291452N	107158

The easy-on-yoke assemblies are standard on the ASA-5® service basic slack adjusters, however, early production assemblies may contain the quick connect yoke.

If the quick connect yoke is required it must be purchased separately and installed by the customer.

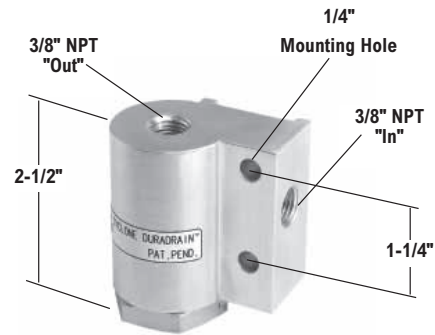
All ASA-5® slack adjusters are supplied with a 45° lube fitting unless otherwise noted.

## WATER SEPARATOR & SYSTEM-GUARD AIR DRYER

### Cyclone DuraDrain™ Water Separator

- Removes moisture
- Purge Nut Kit Pc. No. 5013824
- Mounting Spacer Kit Pc. No. 5014792

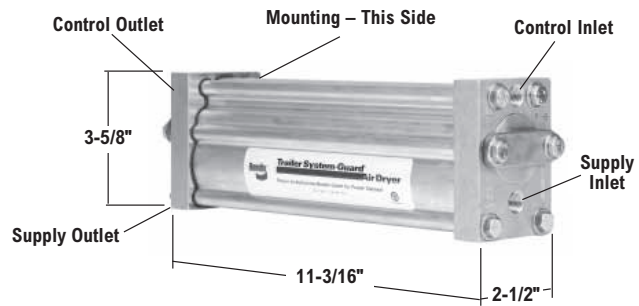
Service New Pc. No.
801747



### Trailer System-Guard® Air Dryer

- Removes both moisture and solid contaminants

Service New Pc. No.
800765



## TRAILER ABS

### TABS-6 Trailer ABS Module

- All TABS-6 Trailer ABS Modules communicate over PLC and have a 4 port relay



TABS-6  
Trailer ABS

OE Pc. No.	Service New Pc. No.	Description	Default Configuration	Auto Configurable To:	J1587 Available
5014015	801855	TABS-6 Standard	2S/1M	None	No
5014016	801856	TABS-6 Premium	2S/1M - Dolly	2S/2M - Axle; 4S/2M - Side; 4S/3M - Side/Axle	Yes
5014112	801990	TABS-6 Standard	2S/1M - Dolly	None	No
5014113	801991	TABS-6 Premium	2S/1M	2S/2M - Axle; 4S/2M - Axle	Yes

### BR9235™ ABS Modulator/Relay Valve

OE Pc. No.	Service New Pc. No.	Description	Port Designations	
			Supply 1	Delivery 1
5012023	801993	Modulator Relay Valve	3/4" NPT	4 x 3/8" NPT
5012024	801994	Modulator Relay Valve with Bracket	3/4" NPT	4 x 3/8" NPT



BR9235™  
ABS Modulator/  
Relay Valve

### TABS-6 Harnesses and Cables

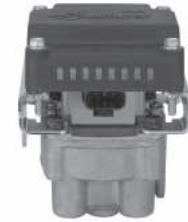
OE Pc. No.	Service New Pc. No.	Description	Length
300258	802025	WS-24" Wheel Speed Sensor Extension	80"
5015531	802052		60"
5019464	802946		260"
5015014	801996	ECU Pigtail - Standard 2S/1M	Power - 60"
5015016	801998		Power - 234"
5015019	802001	ECU Pigtail - Premium 2S/1M	Power - 60", Diagnostic - 9"
5015021	802003		Power - 234", Diagnostic - 9"
5015023	802005	ECU Pigtail - Premium 2S/2M	Power - 60", Modulator - 36", Diagnostic - 9"
5015025	802007		Power - 234", Modulator - 36", Diagnostic - 9"
5015027	802009	ECU Pigtail - Premium 4S/2M	Power - 60", Modulator - 36", Sensors - 60", Diagnostic - 9"
5015029	802011		Power - 234", Modulator - 36", Sensors - 60", Diagnostic - 9"
5013352	802016	Trailer Power Harness	120" 5-pin Packard, Non-Terminated Warning Lamp - 10"
5013353	802017		780" 5-pin Packard, Non-Terminated Warning Lamp - 10"
5013343	802018	BR9235™ Remote Modulator Harness	36"
5019463	802947		280"
5007833	800790	J1587 / J1708 Remote Diagnostic Harness	120"
5009193	801038		72"

## MC-30™ Trailer ABS Modules

• The MC-30™ Trailer ABS Modules are available for service.

OE Pc. No.	Service New Pc. No.	Description	Mounting	Default Configuration	Auto Configurable To:
5007642	800736	MC-30™ Trailer ABS Module	Tank	4S/2M - Side	2S/2M - Axle; 2S/1M
5007644	800737*		Tank		2S/2M - Axle; 2S/1M
5008502	800736		Tank		2S/2M - Axle; 2S/1M
5008264	800819		Bracket		2S/2M - Axle; 2S/1M
5008266	800820*		Bracket		2S/2M - Axle; 2S/1M
5010565	801267	EC-30™ Trailer ABS ECU	-		2S/2M - Axle; 2S/1M
5010566	801268*		-		2S/2M - Axle; 2S/1M

\*The service assemblies contain J15787 and PLC (power line carrier).



MC-30  
Trailer ABS

## A-18 Trailer ABS Modules

• The A-18 Trailer ABS Modules are no longer available. TABS-6 kits are available for service.

A-18 Pc. No. (Reference Only)	Description	Bendix® TABS-6 Replacement Kits					
		With Short - 60" Pigtail			With Long - 234" Pigtail		
		2S/1M	2S/2M - Side	4S/2M - Side	2S/1M	2S/2M - Side	4S/2M - Side
300213	A-18B ECU	K019708	K019709	K019710	K019711	K019712	K019713
300266	A-18S Assembly		-	-		-	-
300267	A-18S Assembly		-	-		-	-
300268	A-18S Assembly		-	-		-	-
300269	A-18S Assembly		-	-		-	-
300340	A-18B Assembly		-	-		-	-
300341	A-18S Assembly		K019709	K019710		K019712	K019713
300358	A-18B Assembly		-	-		-	-
300359	A-18B Assembly		-	-		-	-
300360	A-18B Assembly		-	-		-	-
300362	A-18S Assembly		K019709	K019710		K019712	K019713
300364	A-18S Assembly		K019709	K019710		K019712	K019713



A-18 Trailer ABS



TABS-6 Trailer  
ABS

## MC-12 Trailer ABS Modules

• The MC-12 Trailer ABS Modules are no longer available. TABS-6 kits are available for service.

Note: The MC-12 was only available in 2S/1M configurations.

Description	Bendix® TABS-6 Replacement Kits				
	With 60" 5-pin ABS Pigtail	With 234" 5-pin ABS Pigtail	With 18" 4-pin ABS Pigtail	With 96" 4-pin ABS Pigtail	With 180" 3-pin ABS Pigtail
MC-12 ABS Assembly for Trailers	802893	802902	802900	802898	802896
MCE-12 ABS Assembly for Dollies	802894	802901	802899	802897	802895



MC-12  
Trailer ABS



# WHEEL SPEED SENSORS

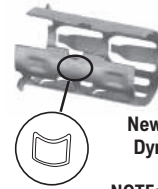
## Bendix® WS-24™ Wheel Speed Sensors



0° (Straight)  
Bendix® WS-24™ Wheel  
Speed Sensors



90°  
Bendix® WS-24™  
Wheel Speed  
Sensors



Clamping Sleeve  
Pc. No. 801534  
Included with all  
WS-24™ Sensors

New universal clamping sleeves have a Dynamark symbol stamped as shown.

NOTE: Early WS-20™ clamping sleeves have “BW” in a diamond symbol stamped and cannot be used for WS-24™ sensors.

OE Pc. No.	Service New Pc. No.	Body Style	Harness Length	Connector Type	Customers Include
300083	801544	90 Degree	12"	DIN	Trailer OEMs.
K028296	K029519	Straight			
300084	801538	90 Degree	75"		Peterbilt, Kenworth
300087	801542	Straight	78"		Kenworth, Mack
300150	801541	90 Degree	63"		Volvo, Blue Bird
300151	801543	Straight	66"		Peterbilt, Kenworth, Volvo
5012266	801549	90 Degree	60"	DT04	International
5012267	801550	90 Degree	75"		
5012268	801551	90 Degree	40"		
5012269	801552	Straight	75"		
5012270	801553	Straight	40"		

Connectors Available	
<p><b>Delphi Metripack Series Connector CP 150.2</b></p>	<p><b>Delphi Metripack Series Connector GT 150</b></p>
<p><b>A P (280M)</b></p>	<p><b>B P (280F)</b></p>
<p><b>Delphi Metripack 280 Series Connectors</b></p>	
<p><b>Deutsch DTM06-2S Connector</b> NOTE: Deutsch model number "DTM06-2S" molded into connector body</p>	<p><b>Deutsch DT04-2P Connector</b> NOTE: Deutsch model number "DT04-2P" molded into connector body</p>
<p><b>Standard 2-Pin DIN Barrel Connector</b></p>	<p><b>Wire Retainer Pc. No. 300122N</b></p>

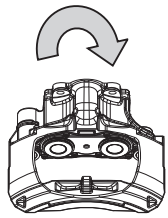
## WS-20™ Wheel Speed Sensor Replacements

• WS-20™ wheel speed sensors are no longer available

WS-20™ Pc. No.	WS-24™ Service New Pc. No.	Body Style	Harness Length	Connector Type
065517	801566	90 degree	75"	Packard (150.2)
065518	801566			
0550657	801566		60"	Deutsch DTM
5000889	801546			
5005707	801546	Straight	63"	Packard (150.2)
5006663	801567			
5006664	801567			

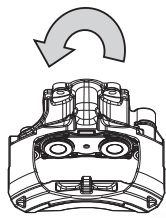
**Previous Bendix Wheel Speed Sensors**  
The WS-24™ sensor fit and function is compatible with all previous Bendix wheel speed sensors (when used with correct clamping sleeve - see above).

# AIR DISC BRAKES



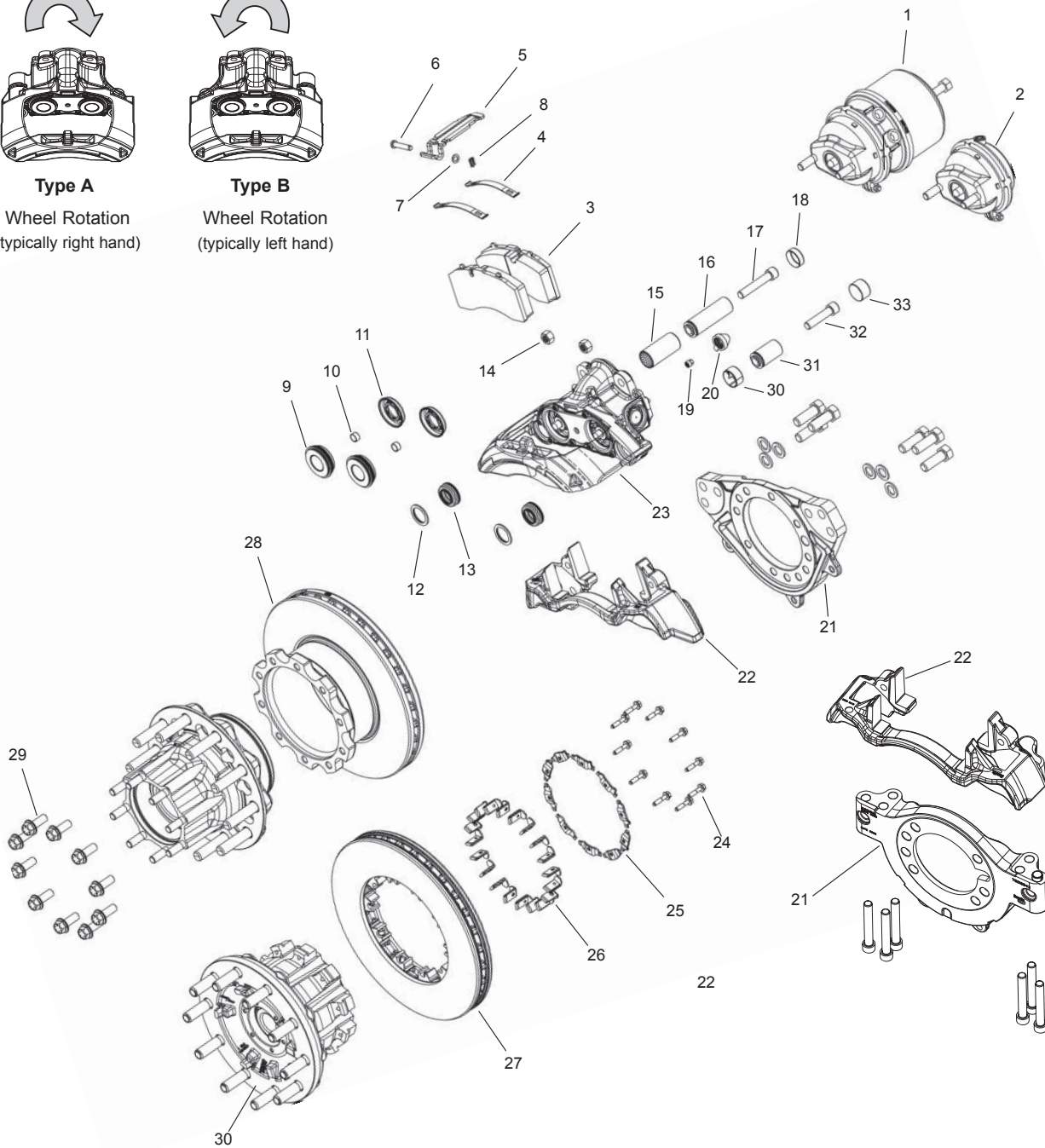
**Type A**

Wheel Rotation  
(typically right hand)



**Type B**

Wheel Rotation  
(typically left hand)



**Bendix® ADB22X™ Air Disc Brake  
Shown**

*This catalog contains the most common components and kits. Many other applications and variations are available in the Bendix® product offering. Visit the literature center on [www.foundationbrakes.com](http://www.foundationbrakes.com) for additional information.*

Kit	Piece Number	Air Disc Brake					Components Included in Kit
		ADB22X™	ADB225™	SB-7™	SN-7™	SK-7™	
Pad Kit (axle set)	802078	✓				✓	(3, 4, 5, 6, 7, 8, 19, 20)
	802593		✓				(3, 4, 5, 6, 7, 8, 19, 20)
	5013257			✓	✓		(3, 4, 5, 6, 7, 8, 19, 20)
Splint Kit (box of 25)	803151	✓	✓	✓	✓		(8)
Shear Adapter (box of 10)	802455	✓	✓		✓		(19)
Tappet/Boot Kit (wheel end kit)	802119	✓	✓		✓	✓	(9, 10, 11)
	K010604			✓			(9, 10, 11)
Adjuster Cover (non-wear sensing - box of 10)	802456	✓	✓				(20)
	K003902					✓	(20)
	K000945			✓	✓		
Guide Pin, Seal and Boot Kit (wheel end kit)	803114	✓					(12, 13, 15, 16, 17, 18, 30, 31, 32, 33)
	K000472		✓		✓		(12, 13, 15, 16, 17, 18, 30, 31, 32, 33) Rubber Bushing Retro. to Metallic Bushing
	K010766				✓		(12, 13, 15, 16, 17, 18, 30, 31, 32, 33) DU Bushing Kit
	K004100					✓	(12, 13, 15, 16, 17, 18, 30, 31, 32, 33)
	K001532			✓			(12, 13, 15, 16, 17, 18, 30, 31, 32, 33)
	K000375			✓			
	II328090062			✓			
	II39769F0062			✓			See Service Data Sheet SD-23-7550 (BW2000) for Guide Pin Identification
II368470064			✓			(12, 13, 15, 16, 17, 18, 30, 31, 32, 33) Rubber Bushing Kit	
Guide Pin Grease	II14525	✓	✓	✓	✓		White (5 grams)
	K021964	✓	✓	✓	✓		White (500 grams)
	K021963			✓			Green (8 grams)
	K021975			✓			Green (500 grams)
Service Actuator	K028039	✓					Bendix® Type 14 Universal (2, 14)
	K028226	✓					Bendix® Type 16 Universal (2, 14)
	K028022	✓	✓	✓	✓	✓	Bendix® Type 18 Universal (2, 14)
	K028225	✓	✓	✓	✓	✓	Bendix® Type 20 Universal (2, 14)
Spring Brake Actuator	K027557	✓					Bendix® Type 18/16 Piston Style Truck/Trailer Universal (1, 14)
	K025670	✓	✓	✓	✓	✓	Bendix® Type 18/24 Piston Style Truck/Trailer Universal (1, 14)
	K025669	✓	✓	✓	✓	✓	Bendix® 20/24 Piston Style Truck/Trailer Universal (1, 14)
	K026451	✓					Bendix® 18/24 Double Diaphragm Style Trailer Universal (1, 14)
Caliper Kit (rationalized) Includes 803114	K019174	✓					Steer and Drive Axle "A" (23)
	K019175	✓					Steer and Drive Axle "B" (23)
	K019180	✓					Trailer Axle "A" (23)
	K019181	✓					Trailer Axle "B" (23)
Hubs	K020505	✓					Splined Disc® Brake - Aluminum - FF Steer, LMS Bearing Package
	803134	✓					Splined Disc® Brake - Aluminum - FL Steer, LMS Bearing Package
	802850	✓					Splined Disc® Brake - Aluminum - R Drive, LMS Bearing Package
	K020514	✓					Splined Disc® Brake - Aluminum - FF Steer, Standard Bearing Package*
	803138	✓					Splined Disc® Brake - Aluminum - FL Steer, Standard Bearing Package*
	802859	✓					Splined Disc® Brake - Aluminum - R Drive, Standard Bearing Package*
	K045298	✓					"TN" Trailer* (30)
	K045297	✓					"TP" Trailer* (30)
See hub supplier for these standard hub products		✓	✓	✓	✓	✓	U-shaped - Iron/Aluminum, LMS/Standard Bearing Packages
		✓	✓	✓	✓	✓	Flat - Iron/Aluminum, LMS/Standard Bearing Packages
Splined Disc® Rotor Attaching Kit	K037766	✓					All Splined Disc® Rotor Applications (24, 25, 26)
Rotor	802081	✓	✓				138mm U-shaped (28, 29)
	802082	✓	✓				150mm U-shaped (28, 29)
	802083	✓					Severe Duty Splined Disc Kit (24, 25, 26, 27)
	802569	✓					Heavy Duty Splined Disc Kit (24, 25, 26, 27)
	K034497				✓		104.7mm Offset (28)
	802669			✓	✓		114.7mm Rotor U-shaped (28)
	K021958			✓	✓		131mm Rotor U-shaped (28)
	II37415N			✓	✓		136mm Rotor U-shaped (28)
K021959			✓	✓		179.7mm Rotor U-shaped (28)	
Shields	803129	✓					Trailer Axle Pad & Rotor Shield Kit
	803130	✓					Drive Axle Pad & Rotor Shield Kit
	802948	✓					Steer Axle Pad Shield Kit

\* Universal Replacement with standard bearing configuration and long studs. Contact 1-800-AIR-BRAKE if identification assistance is required.

# CROSS REFERENCE

## BRAKE CHAMBER CROSS REFERENCE

Table 1-18: Brake Chamber Cross Reference

Mfg. Part Number	TRP Part Number
------------------	-----------------

### ALLIANCE PARTS

ABP/N24A-13030C3D	SB33030
ABP/N24A-13030CD	SB23030
ABP/N24A-13030P3D	SB73030
ABP/N24A-30PBK3D	SB83030
ABP/N24A-30PBKD	SB63030
ABP/N24A-43030CD	SB13030
ABP/N42A-13030C3D	SB33030
ABP/N42A-13030CD	SB23030
ABP/N42A-30PBK3D	SB83030
ABP/N42A-30PBKD	SB63030
ABP/N42A-43030CD	SB13030

### BENDIX

301393	SB23030
800831	SB13030
801300	SB43030
801377	SB73030
5007132	SB23030
5007610	SB63030
5010414	SB33030
5011594	SB83030
3030C	SB13030
3030CC	SB23030
3030CH	SB43030
3030CH	SB33030
3030CL	SB33030
3030CL	SB63030
3030PBK	SB73030
3030PBK	SB63030
3030PBL	SB73030
5007132BXW	SB23030

Mfg. Part Number	TRP Part Number
5007610BXW	SB63030
5011594BXW	SB83030
800831BXW	SB13030
801300BXW	SB43030
801377BXW	SB73030

### HALDEX

GC3030LP40	SB33030
GC3030LP40M1D	SB33030
GC3030P40	SB23030
GP3030KP40	SB63030
GP3030LKP40	SB83030

### INLINE

3030C1NL	SB13030
3030CC1NL	SB23030
3030CH1NL	SB43030
3030CL1NL	SB33030
3030PBK1NL	SB63030
3030PBK1NL	SB83030
3030PBL1NL	SB73030

### MGM BRAKES

3430054	SB13030
3430055	SB13030
3430084	SB13030
3430085	SB13030
3430086	SB13030
3430087	SB13030
3430096	SB13030
3430097	SB13030
3430286	SB13030
3430287	SB13030
3430531	SB13030
3430532	SB13030
3230008X	SB73030
3230051X	SB33030
3430008X	SB63030
3430051X	SB23030

## BRAKE PART CROSS REFERENCE

Table 1-19: Brake Part Cross Reference

Mfg. Part Number	TRP Part Number
------------------	-----------------

### ALLIANCE PARTS

ABP/N42A107904	85-122550
ABP/N42A107904	85-122550

### ARVINMERITOR

03 012582 002	03-012582
03 122550 002	03-122550
03 122683 002	03-122683
03 122978 002	03-122978
03012582	03-012582
03012582002	03-012582
03122529	03-122550
03-122550	85-122550
03122607	03-122683
03122971	03-122978
03122978002	03-122978
1S 3155L1234	S3155L1234
1S 3155L1234	S3155L1234
1SA 13237L1130	SA1-3237L1130
203 012582 002	03-012582
203 122550 002	03-122550
203 122683 002	03-122683
203 122978 002	03-122978
2KEG4515Q	KEG4515Q
2KIT 8000HD	K1T8000HD
2KMG14524Q	KMG14524Q
2MKT 4515X	MKT4515X
2MKT4515PHD	MKT4515PHD
2R507064	R507064
2R801074	R801074
2R955344	R955344
2S400 500 101 0	S400-500-101-0
2S449 326 005 0	S449-326-005-0
2S449 326 030 0	S449-326-030-0
2S449 431 015 0	S449-431-015-0
2S449 713 018 0	S449-713-018-0
2S894 607 312 0	S894-607-312-0
2SMA2124710QP	SMA2124710QP
3122550002	03-122550

Mfg. Part Number	TRP Part Number	Mfg. Part Number	TRP Part Number	Mfg. Part Number	TRP Part Number
3122683002	03-122683	2PKSMA2124707QP	PKSMA2124707QP	2KIT 8000MBHD	K1T8000MBHD
3122978002	03-122978	2R507002	R507002	2KMG14515Q	KMG14515Q
3219-A-1795	03-012582	2R507008	R507008	2KSMA2124515Q	KSMA2124515Q
3219-E-2449	03-012582	2R507010	R507010	2KSMA2124720QP	KSMA2124720QP
3219-G-2321	03-012582	2R507057	R507057	2MKT4515U	MKT4515U
3219-J-3078	03-012582	2R509000	R509000	2PSMA2124515Q B48	PSMA2124515Q-B48
3219-P-2450	03-012582	2R955323	R955323	2R607171	R607171
3219-T-1944	03-012582	2R955335	R955335	2R607172	R607172
3219-T-2356	03-012582	2R955342	R955342	2R955336	R955336
3219-V-3417	03-122550	2R955345	R955345	2R955341	R955341
3219-W-1137	03-012582	2R955374	R955374	2S400 500 103 0	S400-500-103-0
3219-W-1427	03-012582	2S400 500 102 0	S400-500-102-0	2S400 500 104 0	S400-500-104-0
4005001010	S400-500-101-0	2S400 850 602 0	S400-850-602-0	2S449 326 047 0	S449-326-047-0
53-123565	85-122550	2S432 500 005 0	S432-500-005-0	2S449 326 060 0	S449-326-060-0
85-122550	03-122550	2S449 364 142 0	S449-364-142-0	2S894 606 038 0	S894-606-038-0
8946073120	S894-607-312-0	2S472 195 033 0	S472-195-033-0	2S894 606 050 0	S894-606-050-0
KIT 8000HD	K1T8000HD	2S478 407 058 4	S478-407-058-4	2SMA2124311E	SMA2124311E
KIT8000	K1T8000HD	2S894 604 944 0	S894-604-944-0	4005001030	S400-500-103-0
KIT8000HD	K1T8000HD	2S894 607 313 0	S894-607-313-0	4493281100	S449-328-110-0
KMG11308QB30	KMG14311E-B32	2SMA2124515F3	SMA2124515F3	85 122550 002	85-122550
S 3155L1234	S3155L1234	3219-T-2486	03-122222	85122518	85-122550
S 449 431 015 0	S449-431-015-0	4005001020	S400-500-102-0	KIT 8000MBHD	K1T8000MBHD
S061029	S100-100-002-4	4325000050	S432-500-005-0	KIT8000MBBULK	K1T8000MBHD
S100 100 002 4	S100-100-002-4	4493641420	S449-364-142-0	KIT8000MBHD	K1T8000MBHD
S29401	S400-500-101-0	4721950330	S472-195-033-0	KMG14311EB32	KMG14515F-B32
S449 713 018 0	S449-713-018-0	8946073130	S894-607-313-0	KMG14515PB30	KMG14515Q-B32
S4493152000	S449-326-005-0	KMG14707QPB32	KMG14709ES-B32	KSMA2121308QB30	KSMA2124515Q-B32
S4493260100	S449-326-030-0	S4005001010	S400-500-102-0	PS481638	PSMA2124515Q-B48
S4494310080	S449-431-015-0	S4005001020	S400-500-102-0	PSR2014515QB48	PSMA2124515Q-B48
S4497130130	S449-713-018-0	S4008506010	S400-850-602-0	S4005001020	S400-500-103-0
S4497130180	S449-713-018-0	S432 500 005 0	S432-500-005-0	S4005001030	S400-500-104-0
S894 607 312 0	S894-607-312-0	S4324319332	S432-500-005-0	S4493260400	S449-326-047-0
S8946072802	S894-607-312-0	S449 326 010 0	S449-326-010-0	S4493260470	S449-326-060-0
SA 13237L1130	SA1-3237L1130	S4493260050	S449-326-010-0	S4493280300	S449-328-110-0
03 122222 002	03-122222	S4493641030	S449-364-142-0	S894 606 038 0	S894-606-038-0
03122126	03-122222	S4493641420	S449-364-142-0	S894 606 050 0	S894-606-050-0
03122222002	03-122222	S472 195 033 0	S472-195-033-0	S8946060370	S894-606-038-0
203 122222 002	03-122222	S4721950294	S472-195-033-0	S8946060380	S894-606-050-0
2KEG4707QP	KEG4707QP	S4784070560	S478-407-058-4	S8946060380	S894-606-038-0
2KMG14311E	KMG14311E	S894 604 944 0	S894-604-944-0	SA1 3237K1129	SA1-3237K1129
2KMG14524QR	KMG14524QR	S8946048790	S894-604-944-0	13-122550	85-122550
2KSMA2124709E2	KSMA2124709E2	S8946073120	S894-607-313-0	03 123207 002	03-123207
2MKT 4515XHD	MKT4515XHD	285 122550 002	85-122550	03123200	03-123207
2MKT4515UHD	MKT4515UHD	2KEG4515F	KEG4515F	03123207002	03-123207

Mfg. Part Number	TRP Part Number
1S 2237Z1222	S2237Z1222
1S 2237Z1222	S2237Z1222
203 123207 002	03-123207
2237Z1222	S2237Z1222
2KEG4709ES2	KEG4709ES2
2KIT 8000	K1T8000
2KIT 8014	K1T8014
2KIT 8014	K1T8014
2KMG14707QP	KMG14707QP
2KMG14709ES	KMG14709ES
2KMG14709ES2	KMG14709ES2
2KSMA2124707QP	KSMA2124707QP
2MKT4515P	MKT4515P
2PKSMA2124515Q	PKSMA2124515Q
2R509001	R509001
2R607162	R607162
2R801073	R801073
2R955320	R955320
2R955321	R955321
2R955322	R955322
2S400 850 601 0	S400-850-601-0
2S446 108 204 0	S446-108-204-0
2S449 364 143 0	S449-364-143-0
2S449 364 150 0	S449-364-150-0
2S449 364 153 0	S449-364-153-0
2S449 713 030 0	S449-713-030-0
2S449 713 050 0	S449-713-050-0
2S894 606 275 2	S894-606-275-2
2SMG14515Q B48	SMG14515Q-B48
4461082010	S446-108-201-0
4493641430	S449-364-143-0
4493641500	S449-364-150-0
4493641530	S449-364-153-0
4497130300	S449-713-030-0
4497130500	S449-713-050-0
KIT 8000	K1T8000
KIT 8014	K1T8014
KIT768	K1T8000
KIT8000	K1T8000
KIT8010	K1T8014
KIT8014	K1T8014
KMG14702QPB30	KMG14707QP-B32
KSMA2124524QRB32	KSMA2124707QP-B32
S 2237Z1222	S2237Z1222

Mfg. Part Number	TRP Part Number
S4008503070	S400-850-600-0
S4008506000	S400-850-601-0
S44 850 600 0	S400-850-600-0
S449 713 030 0	S449-713-030-0
S449 713 050 0	S449-713-050-0
S4493641420	S449-364-143-0
S4493641430	S449-364-150-0
S4493641500	S449-364-153-0
S4497130180	S449-713-030-0
S4497130300	S449-713-030-0
S4497130300	S449-713-050-0
S8946062380	S894-606-275-2
SMG14515PB48	SMG14515Q-B48
SMG14515Q B48	SMG14515Q-B48

**AUTOCAR**

888857A	03-122222
---------	-----------

**BATCO**

04104	R607002
04105	R607001
04285	R607162
04511	2210E6869
04572351	R607001
04572352	R607002
04812402	R607162
04912422	2210E6869
081004	R509001
4104	R607002
4105	R607001
4932422	2210E6869
81004	R509001
04292	2210Q8155
04294	2210U8159
04891731	2210Q8155
04892421	2210U8159
081001	R509000
081003	R509000
081036	R509000
081038	R509000
081042	R507002
081091	R507008
81001	R509000
81042	R507002

Mfg. Part Number	TRP Part Number
81091	R507008
04008	R607172
04293	2210R8156
04507	2210C6867
04510	2210D6868
0458235	R607171
04582352	R607171
04891732	2210R8156
04911732	2210C6867
04912421	2210D6868
04931732	2210C6867
4911732	2210C6867
4931732	2210C6867
4932421	2210D6868
04295	2210V8160
04506	2210B6866
04892422	2210V8160
04931731	2210B6866
4506	2210B6866
4931731	2210B6866

**BENDIX**

065174	R801073
065175	40010212M1D
065176	40010212M1D
065178	40010213M1D
065182	40010213M1D
065221	R801073
065247	R801073
801355	R801073
065174	40010211M1D
065177	40010214M1D
065179	40010214M1D
065247	40010211M1D
065172	40010216M1D
065175	R801074
065176	R801074
065344	40010216M1D

**BROCKWAY MOTOR TRUCKS**

393867	03-122222
293392	03-012582
29850	03-012582
59742	03-012582

Mfg. Part Number	TRP Part Number
------------------	-----------------

**BUCYRUS-ERIE**

2764	03-123207
27645	03-123207
2760	03-012582
2770	03-122683
2771	03-122550
2738	03-122222

**BUDD WHEEL Co**

98223	03-012582
98224	03-012582
98529	03-012582

**BWP**

M3170R	2210B6866
M992L	2210V8160
M3170L	2210C6867
M3172R	2210D6868
M3186L	R607171
M3186R	R607172
M990L	2210R8156
M990R	2210Q8155
M992R	2210U8159
MK10	R507002
MK42	R507010
MK7	R509000
MK84	R507057
MK99	R507002
M3180L	R607162
M744L	R607002
M744R	R607001
MK2	R509001

**CARLISLE BRAKES**

CR508001	K1T8000
CR507064	R507064
CR507002	R507002
CR507010	R507010
CR507057	R507057
CR508001	K1T8000HD

**CONSOLIDATED METAL INC**

107904	85-122550
--------	-----------

Mfg. Part Number	TRP Part Number
------------------	-----------------

**DANA / SPICER**

17502	R607172
17503	R607171
17627	2210R8156
M16WK10425	R607171
M16WK10525	R607172
142A	R509001
144A	R509001
144ABULK	R509001
14A	R509001
161A	R509001
16ABULK	R509001
17574	R607001
17575	R607002
17586	R607001
17587	R607002
281A	K1T8000
281ABULK	K1T8000
281AR	K1T8000
281ARBULK	K1T8000
28A	K1T8000
38A	K1T8014
40932422	2210E6869
M16WK10225	R607002
M16WK10325	R607001
TA144A	R509001
TA14A	R509001
TA161A	R509001
17631	2210V8160
291A	K1T8000HD
291ABULK	K1T8000HD
291AR	K1T8000HD
291ARBULK	K1T8000HD
29A	K1T8000HD
631A	R507064
142A	R509000
143A	R509000
143ABULK	R509000
163A	R509000
164A	R509000
164ABULK	R509000
17626	2210Q8155
17630	2210U8159

Mfg. Part Number	TRP Part Number
------------------	-----------------

241A	R507002
241ABULK	R507002
24A	R507002
24ABULK	R507002
341A	R507008
34-1A	R507008
341ABULK	R507008
34A	R507010
34ABULK	R507010
63A	R507057
TA241A	R507002
TA341A	R507010
TA63A	R507057

**DAYTON**

04292	2210Q8155
04294	2210U8159
04891731	2210Q8155
04892421	2210U8159
081001	R509000
081003	R509000
081036	R509000
081038	R509000
081042	R507002
081091	R507008
081111	MKT4515UHD
081704	MKT4515UHD
081706	R509000
081709	R507002
081713	R507010
081714	R509000
081716	R509000
081717	R509000
4891731	2210Q8155
4892421	2210U8159
81001	R509000
8100305	R509000
81042	R507002
8104200	R507002
81047	R509000
81091	R507008
8109105	R507008
8109135	R507010
8109138	R507008

Mfg. Part Number	TRP Part Number
8109138	R507010
8109165	R507010
8109165	R507008
81103	R509000
81111	MKT4515UHD
81121	R509000
81136	R507010
81136	R507008
81148	R507057
81704	MKT4515UHD
81709	R507002
81713	R507010
81716	R509000
04572352	R607002
04812402	R607162
04912422	2210E6869
04932422	2210E6869
081004	R509001
081088	K1T8000
08108812	K1T8014
08108875	K1T8000
081092	K1T8000
081428	K1T8014
081702	K1T8000
081707	R509001
081715	R509001
4104	R607002
4105	R607001
4912422	2210E6869
4932422	2210E6869
8100305	R509001
8100360	R509001
81004	R509001
81035	R509001
81088	K1T8000
8108805	K1T8000
8108812	K1T8014
8108817	K1T8014
8108838	K1T8000
8108865	K1T8000
8108875	K1T8000
81092	K1T8000
81103	R509001
81121	R509001

Mfg. Part Number	TRP Part Number
81126	K1T8000
81132	K1T8000
81428	K1T8014
81702	K1T8000
81717	R509001
04295	2210V8160
04506	2210B6866
04892422	2210V8160
04911731	2210B6866
04931731	2210B6866
08108830	K1T8000HD
081132	K1T8000HD
081703	K1T8000HD
4506	2210B6866
4892422	2210V8160
4911731	2210B6866
4931731	2210B6866
8108838	K1T8000HD
8108865	K1T8000HD
81092	K1T8000HD
81126	K1T8000HD
81132	K1T8000HD
81703	K1T8000HD
04104	R607002
04105	R607001
04285	R607162
04511	2210E6869
04572351	R607001
04008	R607172
04009	R607171
04293	2210R8156
04507	2210C6867
04510	2210D6868
0458235	R607171
04582351	R607172
04582352	R607171
04891732	2210R8156
04911732	2210C6867
04912421	2210D6868
04931732	2210C6867
04932421	2210D6868
081428	MKT4515U
4009	R607171
4582351	R607172

Mfg. Part Number	TRP Part Number
4891732	2210R8156
4911732	2210C6867
4912421	2210D6868
4931732	2210C6867
4932421	2210D6868
8108845	K1T8000MBHD
81428	MKT4515U
81701	K1T8000MBHD

**DAYTON WALTHER**

122550	85-122550
--------	-----------

**DEXTER AXLE**

K7113600	K1T8000HD
K7113600	K1T8000

**DIAMOND REO TRUCKS**

1023W1	03-122222
558434W1	03-122222

**EAGLE / NORCROSS**

KIT32HD	K1T8000HD
KIT40HD	R509001
KIT80HD	R509001
KIT40	R509000
KIT71HD	R507010
KIT80	R509000
KIT87HD	R507002

**EATON**

15158	2210V8160
314147	R507064
72441	2210V8160
72437	2210R8156
1001238	R507002
52236B	R509000
52238	R509000
52238B	R509000
52243	R507002
52243B	R507002
52247	R507008
52247B	R507008
5808330	R507057
5808330B	R507057
72438	2210Q8155
72442	2210U8159



Mfg. Part Number	TRP Part Number
808330	R507057
52237B	R509001
52239	R509001
52239B	R509001
52245	K1T8000
72425	R607001
72426	R607002
B169125	R607002
B169126	R607001
F169125	R607002

**EIS**

H66733	R507002
H66734	R509000
HT1753H	R507002
HT1754	R509000
H66735	R509001
HT1755H	R509001

**EUCLID**

E10244	R507064
E-10244	R507064
E-10244S	R507064
E2445	2210V8160
E2445A	2210V8160
E2445B	2210V8160
E2769	K1T8000HD
E-2769	K1T8000HD
E2769HD	K1T8000HD
E-2769HD	K1T8000HD
E2769SHD	K1T8000HD
E2769SHDR	K1T8000HD
E5507	2210B6866
E9092	2210B6866
E-9092	2210B6866
E11866	R607325
E-11866	R607325
E11866TU	R607325
E-11866TU	R607325
E11867	R607326
E-11867	R607326
E11867TU	R607326
E-11867TU	R607326
E2441	2210R8156
E2441A	2210R8156

Mfg. Part Number	TRP Part Number
E2441B	2210R8156
E3856	R607171
E3857	R607172
E5506	2210C6867
E5511	2210D6868
E6082	2210D6868
E6996SHDR	K1T8000MBHD
E6999SHD	K1T8000MBHD
E6999SHDR	K1T8000MBHD
E9091	2210C6867
E1816	R509000
E1816S	R509000
E1887AHD	R507002
E1887ASHD	R507002
E1887HD	R507002
E1887SHD	R507002
E2442	2210Q8155
E2442A	2210Q8155
E2442B	2210Q8155
E2446	2210U8159
E2446A	2210U8159
E2446B	2210U8159
E3710	R507008
E3710HD	R507010
E-3710HD	R507010
E3710S	R507008
E-3710S	R507010
E3710SHD	R507010
E5481	R507057
E5481A	R507057
E-5481A	R507057
E-887ASHD	R507002
KIT4S	R509000
E1094	R607001
E1094RH	R607001
E1095	R607002
E1095LH	R607002
E1816HD	R509001
E1816SHD	R509001
E2769	K1T8000
E-2769	K1T8000
E2769HD	K1T8000
E-2769HD	K1T8000
E2769SR	K1T8000

Mfg. Part Number	TRP Part Number
E3861	R607162
E3895S	K1T8014
E5510	2210E6869
E6081	2210E6869
KIT4SHD	R509001

**FORD**

C5TZ-1126AD	03-012582
D1HZ-1126C	03-012582
C1TZ-1126B	03-122222

**FRUEHAUF**

938796	03-012582
AAA-1413	03-012582
MDS-013894	03-012582
81042	R507002
AXA04205	R607162

**GENERAL TRAILER PARTS**

3123207002	03-123207
------------	-----------

**GMC**

2486746	03-122683
716380	03-122683
2377702	03-122222
2487965	03-122222
711902	03-122222

**GREAT DANE**

BT-481-A2	03-122222
-----------	-----------

**GUNITE**

2983C	03-122222
2705	03-012582
2769X	85-122550
3141	85-122550
3141	03-122550
3141X	03-122550
3141X	85-122550
3141-X	85-122550
3166	03-122978
3295A	03-122683
3732	03-012582
9041X	85-122550
3600A	03-123207

Mfg. Part Number	TRP Part Number
2769X	85-122550
3141X	85-122550

**HALDEX**

40010211	40010211M1D
40010214	40010214M1D
400-10214	40010214M1D
41505	2210Q8155
41759	2210U8159
65481	R507057
66906	R509000
66913	R507008
66914	R507010
67315	R509000
67317	R509000
67319	R507002
67352	R509000
CQ65481	R507057
CQ66913	R507008
CQ66914	R507010
CQ67315	R509000
CQ67317	R509000
CQ67319	R507002
CQ67435	R509000
40010216	40010216M1D
40020213	40020213M1D
41758	2210V8160
65477	R507064
66867	K1T8000HD
CQ65477	R507064
CQ66867	K1T8000HD
CS41111	2210B6866
40010212	40010212M1D
40010213	40010213M1D
400-10213	40010213M1D
41522	R607002
41523	R607001
65364	R607002
65365	R607001
66735	R509001
66861	K1T8000
66867	K1T8000
CQ66735	R509001
CQ67390	R509001
CS41114	2210E6869

Mfg. Part Number	TRP Part Number
CS41492	R607162
CS41522	R607002
CS41523	R607001
40020216	40020216M1D
41504	2210R8156
CS41110	2210C6867
CS41115	2210D6868
CS41164	R607171
CS41165	R607172

**HAYES LEMMERZ**

86232	85-122550
86794	85-122550
87156	85-122550
87187	85-122550

**HERCULES**

H10522L	R607002
H10523R	R607001
H10812L	R607162
H10858L	2210E6869
HQ10354L	2210E6869
H10505R	2210Q8155
H10759R	2210U8159
HQ10365R	2210Q8155
HQ10369R	2210U8159
KIT2	R507002
KIT3	R507008
H10232L	R607325
H10233R	R607326
H10422L	R607171
H10423R	R607172
H10504L	2210R8156
H10854L	2210C6867
H10859R	2210D6868
HQ10350L	2210C6867
HQ10355R	2210D6868
HQ10364L	2210R8156
H10758L	2210V8160
H10855R	2210B6866
HQ10351R	2210B6866
HQ10368L	2210V8160

**HOLLAND**

AXA04206	R607162
----------	---------

Mfg. Part Number	TRP Part Number
------------------	-----------------

**LELAND BRAKE PARTS**

K128	K1T8000HD
K128K	K1T8000HD
K329	K1T8000HD
K332	K1T8000HD
K375	R507064
L1658	2210V8160
L3112	2210B6866
K109	R509001
K116	R509001
K125	K1T8014
K128K	K1T8000
K303	K1T8014
K306	K1T8000
K339	K1T8000
K45	R509001
K70	K1T8000
L3117	2210E6869
L3319	R607162
L580	R607002
L580	R607001
L581	R607001
L581	R607002
K119	R507002
K135	R507008
K136	R507010
K136	R507008
K280	R507008
K280A	R507008
K295	R507057
K309K	R507008
K315	R507008
K328	R507008
K330	R507008
K354	R507010
K354	R507008
K42	R507002
K58	R507010
K58	R509000
K59	R509000
K60	R509000
K75	R509000
L1298	2210Q8155

Mfg. Part Number	TRP Part Number
L1657	2210U8159
E3116	2210D6868
K128A	K1T8000MBHD
L1299	2210C6867
L1299	2210R8156
L3113	2210C6867
L3116	2210D6868

**MACK**

17QJ3145AP2	03-122222
17QJ3156AP2	03-122222
293686	03-122222
61-SR-126	03-122222
61-SR-87	03-122683

**MERITOR**

03-122550	85-122550
-----------	-----------

**MIDLAND GRAU**

CS56004	R801074
CS56007	R801073

**MIDWEST**

03-122550	85-122550
3219-A-1795	03-012582
3219-E-2449	03-012582
3219-G-2321	03-012582
3219-J-3078	03-012582
3219-P-2450	03-012582
3219-T-1944	03-012582
3219-T-2356	03-012582
3219-V-3417	03-122550
3219-W-1137	03-012582
3219-W-1427	03-012582
3219-T-2486	03-122222

**MOTORWHEEL**

87156B	85-122550
--------	-----------

**NAPA**

66733	R507002
66734	R509000
66735	R509000
67546	R509000
67550	R507002
67557	R507008

Mfg. Part Number	TRP Part Number
67970	R507010
65364	R607002
65365	R607001
66861	K1T8000

**NAVISTAR**

428811C91	03-122222
428811R91	03-122222
973232R1	03-122222
428732R91	03-012582
576706C1	03-122683
58605R	03-012582

**OSHKOSH TRUCK CORP**

2194490	85-122550
---------	-----------

**PETERBILT**

03-02206	85-122550
03-02944	85-122550

**ROADLEVELER**

RHK29XLS	K1T8000
RHK29XLS	K1T8000HD
RHK61XLS	R507064
RHK24XLSLM	R507002
RHK34XLS	R507010
RHK63XLS	R507057

**SHULER**

B-1292-1	03-012582
B-1689-1	03-012582
B-1827-1	03-012582
B-1837-1	03-012582
T-18A-5077	03-122222

**SIFCO IND**

EK1HD	R507002
ES1	R507057
TK4	R509000
XK3	R507008
XK3HD	R507010
TK4HD	R509001

**SIRCO BRAKE**

45154707QHD	K1T8000HD
C445L	2210V8160
ES-2	R507064

Mfg. Part Number	TRP Part Number
QK-1	K1T8000HD
QK-1HD	K1T8000HD
4311EHD	R507002
4515X	R507008
4515XHD	R507010
C442R	2210Q8155
C446R	2210U8159
EK1HD	R507002
EK-1HD	R507002
EK-3	R507010
ES-1	R507057
TK4	R509000
XK3	R507008
XK3HD	R507010
45154707Q	K1T8000
4515QMM	K1T8014
C094R	R607001
C095L	R607002
QK-1	K1T8000
QK-1HD	K1T8000
TK4HD	R509001
C441L	2210R8156

**STANDARD FORGE**

BK103	R509000
202100236L	R607002
202100236R	R607001

**TRAILMOBILE**

15143	03-122222
74178	03-122222
7-4-178	03-122222
7-4-195	03-122222
7-4-213	03-122222
7-4-250	03-122222
16583	03-012582
7-4-203	03-012582

**TRAMEC**

54004R	R607001
54005L	R607002

**TRANSIT PARTS**

KIT4	R509000
KIT8	R509000
TP1876	R507002

Mfg. Part Number	TRP Part Number
TP1887	R509000
TP1901	2210Q8155
TP3045	2210U8159
TP3046	2210V8160
TP1888	R509001
TP302	R607001
TP303	R607002
TP1902	2210R8156

**UBS**

28580	R607001
28581	R607002

**VOLVO**

3101605	03-122222
558434	03-122222
652065	03-122222
652065A	03-122222
660806	03-122222
910015001	03-122222
1091489	85-122550
660805	03-122683
V1091489	85-122550

**WABCO**

2237Z1222	S2237Z1222
4461082010	S446-108-201-0
4493641430	S449-364-143-0
4493641500	S449-364-150-0
4493641530	S449-364-153-0
4497130300	S449-713-030-0
4497130500	S449-713-050-0
8946062752	S894-606-275-2
4005001020	S400-500-102-0
4325000050	S432-500-005-0
4410326150	R955342
4493260100	S449-326-010-0
4493641420	S449-364-142-0
4721950330	S472-195-033-0
4784070584	S478-407-058-4
8946049440	S894-604-944-0
8946073130	S894-607-313-0
3155L1234	S3155L1234
4005001010	S400-500-101-0
4493260050	S449-326-005-0
4493260300	S449-326-030-0

Mfg. Part Number	TRP Part Number
4494310150	S449-431-015-0
4497130180	S449-713-018-0
8945900672	S449-713-018-0
8946073120	S894-607-312-0
4005001030	S400-500-103-0
4005001040	S400-500-104-0
4493260470	S449-326-047-0
4493260600	S449-326-060-0
4493281100	S449-328-110-0
8946060380	S894-606-038-0
8946060500	S894-606-050-0

**WAGNER EQUIPMENT Co**

911003	R509001
911020	R509001
911000	R509000
911010	R507002
911011	R507002
911015	R507008
911016	R507010
911019	R509000
911007	K1T8000HD

**WEBB WHEEL**

66864	03-123207
66864F	03-123207
67518	03-122222
67518F	03-122222
60895B	85-122550
66895B	85-122550
62200	03-012582
62200F	03-012582
66895	03-122550
66895B	03-122550
66895B	85-122550
67101	03-122978
68981	03-122683
68981B	03-122683

**BRAKE CAMSHAFT CROSS REFERENCE**

Table 1-20: Brake Camshaft Cross Reference

MFG Part Number	TRP Part Number
<b>BWP</b>	
M-1406	CK2670
M-1407	CK2291
M-3131L	CS9059
M-3131R	CS9060
M-3134L	CS5520
M-3134R	CS5521
M-3140L	CS5524
M-3140R	CS5525
M-3142	CS5526
M-3142	CS5527
M-3147L	CS9735
M-3147R	CS9736
M-3169L	CS9100
M-3169R	CS9101
M-3170L	CS5506
M-3170R	CS5507
M-3171L	CS5508
M-3171R	CS5509
M-3172L	CS5510
M-3172R	CS5511
M-3180L	CS3861
M-3180R	CS3862
M-3186L	CS3856
M-3186R	CS3857
M-3696L	CS9731
M-3696R	CS9732
M-3697L	CS9733
M-3697R	CS9734
M-3699L	CS10909
M-3699R	CS10910
M-562L	CS1425
M-562R	CS1424
M-563L	CS1563
M-563R	CS1564
M-566L	CS2099
M-566R	CS2100
M-744L	CS1095
M-744R	CS1094

<b>MFG Part Number</b>	<b>TRP Part Number</b>	<b>MFG Part Number</b>	<b>TRP Part Number</b>	<b>MFG Part Number</b>	<b>TRP Part Number</b>
M-990L	CS2441	04-562632	CS17937	04-932422	CS5510
M-990R	CS2442	04-563351	CS9736	08-130100	CK2363
M-992L	CS2445	04-563352	CS9735	08-130101	CK2088
M-992L	CS6082	04-572041	CS1424	08-130111	CK2679
M-992R	CS2446	04-572042	CS1425	08-130122	CK1357
M-992R	CS6081	04-572351	CS1094	08-130301	CK9791
M-K102	CK5307	04-572352	CS1095	08-130600	CK2382
M-K103	CK9790	04-572651	CS7220	08-130601	CK3520
M-K107	CK9791	04-572652	CS7219	08-130611	CK9079
M-K13	CK1357	04-582351	CS3857	08-130621	CK3989
M-K14	CK2088	04-582352	CS3856	08-130631	CK9078HD
M-K15	CK2363	04-592351	CS5521	08-132103	CK2087
M-K16	CK2382	04-592352	CS5520	08-132111	CK2680
M-K20	CK2090	04-602041	CS5525	08-132300	CK2496
M-K21	CK2122	04-602042	CS5524	08-132310	CK5307
M-K23	CK2287	04-602351	CS5527	08-132800	CK9790
M-K25	CK2526	04-602352	CS5526	08-133100	CK2090
M-K26	CK2496	04-602411	CS9101	08-133101	CK2122
M-K27	CK2087	04-602412	CS9100	08-134100	CK2526
M-K61	CK3520	04-742361	CS9060		
M-K64	CK2680	04-742362	CS9059		
M-K65	CK2679	04-811621	CS1564		
M-K85	CK3989	04-811622	CS1563		
M-K88	CK9079	04-812121	CS2100		
M-K89	CK9078HD	04-812122	CS2099		
M-K90	CK6078	04-812401	CS3862		
		04-812402	CS3861		
		04-871121	CS11867		
		04-871122	CS11866		
		04-891731	CS2442		
		04-891732	CS2441		
		04-892421	CS2446		
		04-892422	CS2445		
		04-911731	CS9092		
		04-911732	CS9091		
		04-912041	CS9094		
		04-912042	CS9093		
		04-912421	CS6081		
		04-912442	CS6082		
		04-931731	CS5507		
		04-931732	CS5506		
		04-932041	CS5509		
		04-932042	CS5508		
		04-932421	CS5511		
				<b>EUCLID</b>	
				E10909	CS10909
				E10910	CS10910
				E1094	CS1094
				E1095	CS1095
				E-11450	CK11450
				E-11450HD	CK11450HD
				E11866	CS11866
				E11867	CS11867
				E-11897	CK11897
				E-1357A	CK1357
				E1424	CS1424
				E1424A	CS1424
				E1425	CS1425
				E1425A	CS1425
				E1563	CS1563
				E1564	CS1564
				E-2087	CK2087
				E-2088A	CK2088
				E-2088AHD	CK2088HD
				E-2090	CK2090
				E2099	CS2099
				E2100	CS2100
				E-2122	CK2122
<b>DANA</b>					
17-936	CS17936				
17-937	CS17937				
43-7117	CK437117				
43-7118	CK437118				
<b>DAYTON</b>					
212240	CK6078				
02-218	CK2291				
02-240	CK2670				
04-561741	CS9732				
04-561742	CS9731				
04-562041B	CS9734				
04-562042B	CS9733				
04-562411	CS10910				
04-562412	CS10909				
04-562631	CS17936				

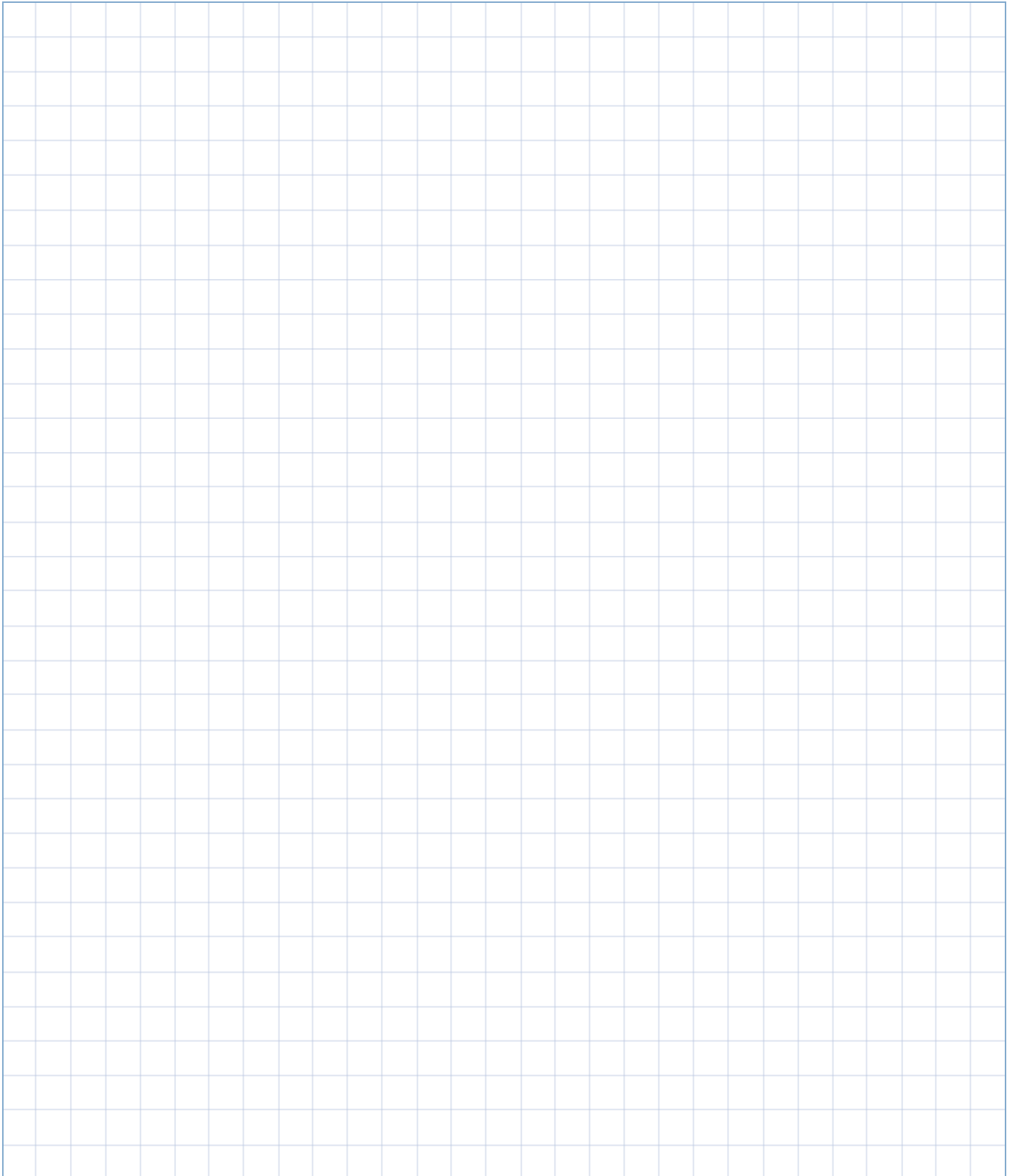
MFG Part Number	TRP Part Number	MFG Part Number	TRP Part Number	MFG Part Number	TRP Part Number
E-2287	CK2287	E7219	CS7219	2210-E-6869	CS5510
E-2291	CK2291	E7220	CS7220	2210-F-5414	CS1425
E-2363	CK2363	E9059	CS9059	2210-F-6870	CS5509
E-2382	CK2382	E9060	CS9060	2210-G-6871	CS5508
E2441A	CS2441	E-9078	CK9078	2210-L-4328	CS2442
E2441B	CS2441	E-9078HD	CK9078HD	2210-M-4329	CS2441
E2442A	CS2442	E-9079	CK9079	2210-N-4330	CS2446
E2442B	CS2442	E-9079HD	CK9079HD	2210-N-6592	CS9094
E2443B	CS2443	E9091	CS9091	2210-P-4332	CS2445
E2444B	CS2444	E9092	CS9092	2210-P-6594	CS9093
E2445A	CS2445	E9093	CS9093	2210-Q-8155	CS2442
E2445B	CS2445	E9094	CS9094	2210-R-8156	CS2441
E2446A	CS2446	E9100	CS9100	2210-S-8158	CS2443
E2446B	CS2446	E9101	CS9101	2210-T-8157	CS2444
E-2469	CK2496	E9731	CS9731	2210-U-6572	CS9092
E-2526	CK2526	E9732	CS9732	2210-U-8160	CS2445
E-2670	CK2670	E9733	CS9733	2210-V-6574	CS9091
E-2679A	CK2679	E9734	CS9734	2210-V-6576	CS6082
E-2679AHD	CK2679HD	E9735	CS9735	2210-V-8159	CS2446
E-2680	CK2680	E9736	CS9736	2210-W-6575	CS6081
E-3520A	CK3520	E-9790A	CK9790	KIT 8046	CK2088
E-3520AHD	CK3520HD	E-9791	CK9791	KIT 8046HD	CK2088HD
E3856	CS3856	E-9791HD	CK9791HD	KIT 8048HD	CK3520HD
E3857	CS3857	<b>FRUEHAUF</b>		KIT 8058	CK9078HD
E3861	CS3861	219316	CS1425	KIT 8091	CK9079
E3862	CS3862	219317	CS1424	KIT 8091HD	CK9079HD
E3989	CK3989	305680-900	CK2122	KIT 8289	CK6078
E-3989AHD	CK3989HD	AXA-0420-1	CS1563	KIT 9034	CK2670
E-5307	CK5307	AXA-0420-2	CS1564	KIT 9035	CK2679
E5506	CS5506	AXA-0420-3	CS2099	KIT 9036	CK2291
E5507	CS5507	AXA-0420-4	CS2100	KIT 969	CK2363
E5508	CS5508	AXA-0420-5	CS3861	KIT 970	CK2382
E5509	CS5509	AXA-0420-6	CS3862	KIT-8048	CK3520
E5510	CS5510	AXA-0420-900	CK2090	KIT9037	CK1357
E5511	CS5511	<b>HENDRICKSON</b>		R-607001	CS1094
E-5520	CS5520	S-24636-1L	CS11866	R-607002	CS1095
E-5521	CS5521	S-24636-1R	CS11867	R-607011	CS1563
E5524	CS5524	<b>MERITOR</b>		R-607012	CS1564
E5525	CS5525	2210-B-6866	CS5507	R-607019	CS2100
E5526	CS5526	2210-C-6867	CS5506	R-607020	CS2099
E5527	CS5527	2210-D-6868	CS5511	R-607081	CS1424
E-6078	CK6078	2210-E-5413	CS1424	R-607082	CS1425
E6081	CS6081			R-607113	CS9059
E6082	CS6082			R-607114	CS9060



**NOTES**

A large rectangular area filled with a light blue grid pattern, intended for writing notes. The grid consists of small squares and covers most of the page's content area.







*For information, updates, or corrections,  
please contact us at [support@trpparts.com](mailto:support@trpparts.com).*

*No part of this marketing material may be  
reproduced in any manner without written  
permission from TRP North America.*

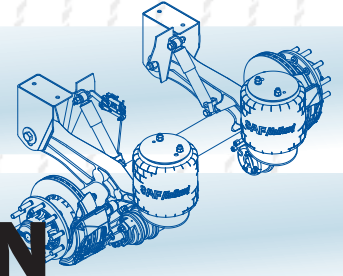
**TRP North America**

750 Houser Way N.  
Renton, WA 98057

[www.trpparts.com](http://www.trpparts.com)



Parts for all brands of trailers.



**2**

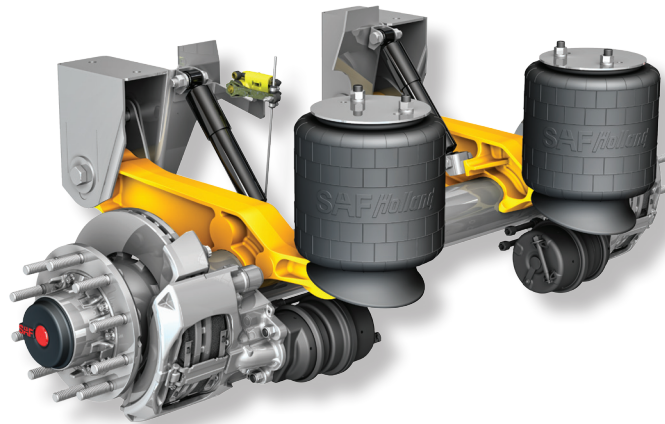
**TRAILER PARTS**

# SUSPENSION

*Proven, reliable and  
always innovative.*

TRP® offers reliable aftermarket products that are designed and tested to exceed customers' expectations regardless of the trailer make, model or age.

## SUSPENSION & Cross Reference



**HOLLAND • HENDRICKSON • ROADLEVELER  
• AIR SPRINGS • SHOCK ABSORBERS**



**Tested. Reliable. Guaranteed.**

**Suspension**

Choosing the right replacement part or service for your vehicle—whether you own one, or a fleet—is one of the most important decisions you can make for your business. And, with tested TRP® parts it’s an easy decision.

Regardless of the make you drive, TRP quality replacement parts are engineered to fit your truck, trailer or bus. Choose the parts that give you the best value for your business. Check them out at an approved TRP retailer near you.

*The cross reference information in this catalog is based upon data provided by several industry sources and our partners. While every attempt is made to ensure the information presented is accurate, we can bear no liability due to incorrect or incomplete information.*

**Product Availability**

*Due to border issues and market demands, not all products are always available in every location. Check for availability in your area with your local TRP® Distributor.*

*No part of this marketing material may be reproduced in any manner without written permission from TRP North America.*

**CONTENTS**

**HOLLAND SUSPENSION**

Holland – Curb Side CB-2300 & CBX23 . . . . . 2-5

Holland – Service & Replacement Kits . . . . . 2-10

    SwingAlign™ Frame Bracket, 14" Ride Height:  
    SRK-598; Part Number: 48100462 . . . . . 2-10

    SwingAlign™ Frame Bracket, 15" Ride Height:  
    SRK-600; Part Number: 48100464 . . . . . 2-10

    SwingAlign™ Frame Bracket, 16" & 17" Ride Height:  
    SRK-599; Part Number: 48100463 . . . . . 2-11

    SwingAlign™, SRK-542; Part Number: 48100406 . . . . . 2-11

    Fixed Frame Bracket, 14" Ride Height:  
    SRK-601; Part Number: 48100465 . . . . . 2-11

    Fixed Frame Bracket, 15" Ride Height:  
    SRK-602; Part Number: 48100466 . . . . . 2-12

    Fixed Frame Bracket, 16" & 17" Ride Height:  
    SRK-603; Part Number: 48100467 . . . . . 2-12

    Pivot Connection, SRK-530; Part Number: 48100394 . . . . . 2-12

    Pivot Connection, SRK-607; Part Number: 48100471 . . . . . 2-13

Holland – Valves . . . . . 2-13

    Height Control Valve (HCV) . . . . . 2-13

    Adjustable Height Control Linkage . . . . . 2-14

    Pressure Protection Valve . . . . . 2-14

Holland – CB400 Suspension Components . . . . . 2-15

Holland – CB400 Slider Box Components . . . . . 2-18

<p><b>TRP North America</b> 750 Houser Way N. Renton, WA 98057  <a href="http://www.trpparts.com">www.trpparts.com</a></p>	
--	--

<u>Holland – CB400 Service Repair Kits . . . .</u>	2-23	<u>Holland – RL Frame Bracket Replacement Kits . . . . .</u>	2-37
Pivot Connection Replacement Kit - SRK-530 . . . . .	2-23	RL-250-14, -15; SRK-553; 481 00 417 . . . .	2-37
SwingAlign Frame Bracket Replacement Kit - SRK-531 . . . . .	2-24	RL-250-16, -17, SRK-554, 481 00 418 . . . .	2-37
Fixed Frame Bracket Replacement Kit - SRK-532 . . . . .	2-24	RL-300-12, -13;SRK-555; 481 00 419 . . . .	2-38
SwingAlign™ Replacement Kit - SRK-542 .	2-25	RL-300-14; SRK-556; 481 00 420 . . . . .	2-38
<u>Holland – RL250 Standard Suspension Components . . . . .</u>	2-26	RL-300-15,SRK-557; 481 00 421 . . . . .	2-38
<u>Holland – RL250 Pivot/Axle Connection Kits . . . . .</u>	2-30	RL-300-16, -17; SRK-558; 481 00 422 . . . .	2-38
<u>Holland – RL250 Shock Below Frame Suspension . . . . .</u>	2-30	<b>AIR SUSPENSION</b>	
<u>Holland – RL250 Shock Below Frame, Pivot/Axle Connection Kits . . . . .</u>	2-34	TRP® Air Springs . . . . .	2-39
<u>Holland – RL Pivot and Axle Connection Service Repair Kits . . . . .</u>	2-34	<b>HENDRICKSON SUSPENSION</b>	
Model 228 or 230 Pivot Connection – EZ and Welded Alignments . . . . .	2-34	Hendrickson – INTRAAX® AAT – 23K, 25K, 30K . . . . .	2-46
Model 228 or 230 Axle Connection – 2-Piece Adapter . . . . .	2-34	Hendrickson – INTRAAX® AANT 23K . . . .	2-50
Model 250 Pivot Connection – EZ and Welded Alignments . . . . .	2-34	Frame Bracket Assembly . . . . .	2-51
Model 250 Axle Connection – 1- and 2-Piece Adapters . . . . .	2-35	Hendrickson – HT230 Top-Mount . . . . .	2-53
Model 300 Pivot Connection – Welded Alignments . . . . .	2-35	Hendrickson – VANTRAAX® HKANT 40K/HKA180 . . . . .	2-60
Model 300 Axle Connection – 1-Piece Adapter . . . . .	2-35	Slider Box Assembly . . . . .	2-61
<u>Holland – RL Pivot &amp; Axle Connection Replacement Kits . . . . .</u>	2-35	Suspension Assembly HKANT 40K/HKA180 . . . . .	2-64
SRK-149 - Axle: 481 00 206 . . . . .	2-35	Hendrickson – VANTRAAX® HKANT 46K/HKAT 46K/HKA200 . . . . .	2-67
SRK-203 - Pivot: 481 00 264 . . . . .	2-35	Slider Box Assembly . . . . .	2-69
SRK-265 - Axle: 481 00 328 . . . . .	2-35	Suspension Assembly – HKANT 46K, Narrow Bushing/Tapered Beam Model . . . . .	2-71
SRK-456 - Pivot: 481 00 319 . . . . .	2-36	Suspension Assembly – HKAT 46K/HKA 200, Wide Bushing/Straight Beam Model . . . . .	2-73
SRK-519 - Pivot: 481 00 383 . . . . .	2-36	Hendrickson – Slider Air Control Accessories . . . . .	2-75
SRK-520 - Pivot: 481 00 384 . . . . .	2-36	<b>SHOCK ABSORBERS</b>	
SRK-521 - Pivot: 481 00 385 . . . . .	2-36	RoadLeveler Shock Absorbers . . . . .	2-77
SRK-522 - Pivot: 481 00 386 . . . . .	2-36	<b>CROSS REFERENCE</b>	
SRK-523 - Pivot: 481 00 387 . . . . .	2-37	Air Spring Cross Reference . . . . .	2-78
SRK-524 - Pivot: 481 00 388 . . . . .	2-37		

**NOTES**

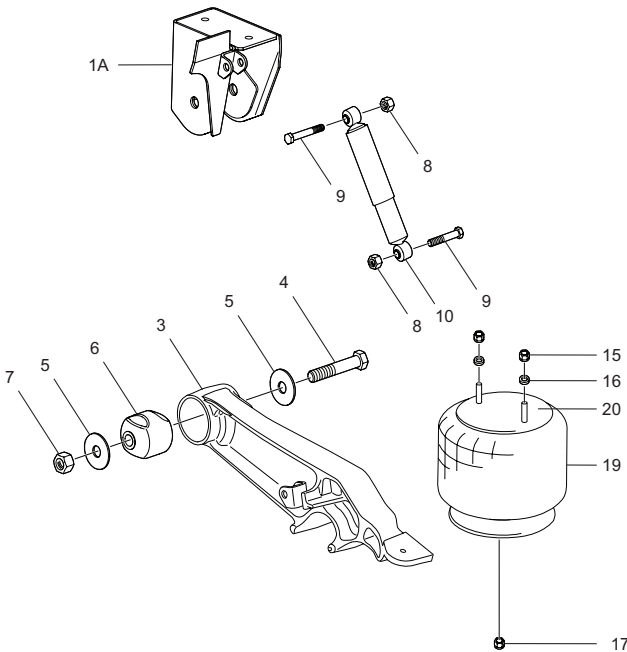
A large rectangular area filled with a light blue grid pattern, intended for writing notes. The grid consists of approximately 25 columns and 35 rows of small squares.

# HOLLAND SUSPENSION\*

## HOLLAND – CURB SIDE CB-2300 & CBX23

- CBX23 / CBX25 Series & CB-2300 Series
- Fixed Frame Top Mount Trailer Suspensions

### Curb Side Components



### Road Side Components

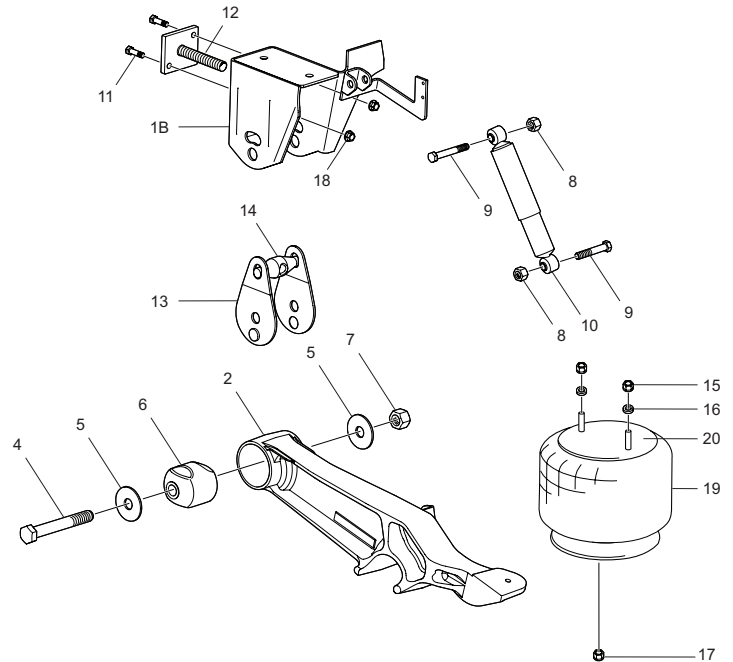


Table 2-1: Holland – Curb Side CB-2300 & CBX23

Part Number	Item No.	Description	Model Number	Qty.
48100465	1A*	Frame Bracket (Welded) - with integral brace	CB2300-14 CBX23-14	1
48100462	1B*	Frame Bracket (SwingAlign) - with integral brace	CB2300-14 CBX23-14	1
Not Available	2	Equalizing Beam LH (roadside - bushed beam only)	CB2300-14 CBX23-14	-
Not Available	3	Equalizing Beam RH (curbside - bushed beam only)	CB2300-14 CBX23-14	-
93201070	4*	Pivot Bolt 1 1/8"-7 x 8.0" LG GR 8	CB2300-14 CBX23-14	2
93600553	5*	Pivot Connection Washer	CB2300-14 CBX23-14	4
90008247	6*	Bushing	CB2300-14 CBX23-14	2
93400506	7*	Hex Lock Nut 1 1/8"-7	CB2300-14 CBX23-14	2
93400492	8	Hex Lock Nut 3/4"-10	CB2300-14 CBX23-14	4
93006035	9	Hex Bolt 3/4"-10 x 3.50" GR 5	CB2300-14 CBX23-14	4
90044868	10	Shock Absorber	CB2300-14 CBX23-14	2
XB-HHC-001-33	11	Hex Bolt 1/2"-13 x 1 3/4"	CB2300-14 CBX23-14	2

\* Replacement components should be purchased in Service Repair Kits, see "Table 2-2: Holland – Service & Replacement Kits" on page 2-10.

\* Information provided by SAF-Holland Group.

Part Number	Item No.	Description	Model Number	Qty.
90548007	12	Threaded Rod Assembly	CB2300-14 CBX23-14	1
90531339	13	Alignment Plate	CB2300-14 CBX23-14	2
90045491	14	SwingAlign Yoke	CB2300-14 CBX23-14	1
93400149	15	Hex Lock Nut 3/4"-16	CB2300-14 CBX23-14	4
93600077	16	Washer 3/4"	CB2300-14 CBX23-14	4
93400623	17	Flange Nut 1/2"-13	CB2300-14 CBX23-14	2
93400136	18	Hex Nut - 1/2" -13	CB2300-14 CBX23-14	2
90557330	19	Air Spring	CB2300-14 CBX23-14	2
90034247	20	Plate, Mounting, Air Spring	CB2300-14 CBX23-14	2
48100466	1A*	Frame Bracket (Welded) - with integral brace	CB2300-15 CBX23-15	1
48100464	1B*	Frame Bracket (SwingAlign) - with integral brace	CB2300-15 CBX23-15	1
Not Available	2	Equalizing Beam LH (roadside - bushed beam only)	CB2300-15 CBX23-15	-
Not Available	3	Equalizing Beam RH (curbside - bushed beam only)	CB2300-15 CBX23-15	-
93201070	4*	Pivot Bolt 1 1/8"-7 x 8.0" LG GR 8	CB2300-15 CBX23-15	2
93600553	5*	Pivot Connection Washer	CB2300-15 CBX23-15	4
90008247	6*	Bushing	CB2300-15 CBX23-15	2
93400506	7*	Hex Lock Nut 1 1/8"-7	CB2300-15 CBX23-15	2
93400492	8	Hex Lock Nut 3/4"-10	CB2300-15 CBX23-15	4
93006035	9	Hex Bolt 3/4"-10 x 3.50" GR 5	CB2300-15 CBX23-15	4
90045381	10	Shock Absorber	CB2300-15 CBX23-15	2
XB-HHC-001-33	11	Hex Bolt 1/2"-13 x 1 3/4"	CB2300-15 CBX23-15	2
90548007	12	Threaded Rod Assembly	CB2300-15 CBX23-15	1
90531339	13	Alignment Plate	CB2300-15 CBX23-15	2
90045491	14	SwingAlign Yoke	CB2300-15 CBX23-15	1
93400149	15	Hex Lock Nut 3/4"-16	CB2300-15 CBX23-15	4
93600077	16	Washer 3/4"	CB2300-15 CBX23-15	4
93400623	17	Flange Nut 1/2"-13	CB2300-15 CBX23-15	2
93400136	18	Hex Nut - 1/2" -13	CB2300-15 CBX23-15	2
90557331	19	Air Spring	CB2300-15 CBX23-15	2
90034247	20	Plate, Mounting, Air Spring	CB2300-15 CBX23-15	2
48100467	1A*	Frame Bracket (Welded) - with integral brace	CB2300-16 CBX23-16	1
48100463	1B*	Frame Bracket (SwingAlign) - with integral brace	CB2300-16 CBX23-16	1
Not Available	2	Equalizing Beam LH (roadside - bushed beam only)	CB2300-16 CBX23-16	-
Not Available	3	Equalizing Beam RH (curbside - bushed beam only)	CB2300-16 CBX23-16	-
93201070	4*	Pivot Bolt 1 1/8"-7 x 8.0" LG GR 8	CB2300-16 CBX23-16	2
93600553	5*	Pivot Connection Washer	CB2300-16 CBX23-16	4
90008247	6*	Bushing	CB2300-16 CBX23-16	2
93400506	7*	Hex Lock Nut 1 1/8"-7	CB2300-16 CBX23-16	2
93400492	8	Hex Lock Nut 3/4"-10	CB2300-16 CBX23-16	4
93006035	9	Hex Bolt 3/4"-10 x 3.50" GR 5	CB2300-16 CBX23-16	4
90045298	10	Shock Absorber	CB2300-16 CBX23-16	2
XB-HHC-001-33	11	Hex Bolt 1/2"-13 x 1 3/4"	CB2300-16 CBX23-16	2
90548007	12	Threaded Rod Assembly	CB2300-16 CBX23-16	1
90531339	13	Alignment Plate	CB2300-16 CBX23-16	2

\* Replacement components should be purchased in Service Repair Kits, see "Table 2-2: Holland – Service & Replacement Kits" on page 2-10.



Part Number	Item No.	Description	Model Number	Qty.
90045491	14	SwingAlign Yoke	CB2300-16 CBX23-16	1
93400149	15	Hex Lock Nut 3/4"-16	CB2300-16 CBX23-16	4
93600077	16	Washer 3/4"	CB2300-16 CBX23-16	4
93400623	17	Flange Nut 1/2"-13	CB2300-16 CBX23-16	2
93400136	18	Hex Nut - 1/2" -13	CB2300-16 CBX23-16	2
90557332	19	Air Spring	CB2300-16 CBX23-16	2
90034247	20	Plate, Mounting, Air Spring	CB2300-16 CBX23-16	2
48100467	1A*	Frame Bracket (Welded) - with integral brace	CB2300-17 CBX23-17	1
48100463	1B*	Frame Bracket (SwingAlign) - with integral brace	CB2300-17 CBX23-17	1
Not Available	2	Equalizing Beam LH (roadside - bushed beam only)	CB2300-17 CBX23-17	-
Not Available	3	Equalizing Beam RH (curbside - bushed beam only)	CB2300-17 CBX23-17	-
93201070	4*	Pivot Bolt 1 1/8"-7 x 8.0" LG GR 8	CB2300-17 CBX23-17	2
93600553	5*	Pivot Connection Washer	CB2300-17 CBX23-17	4
90008247	6*	Bushing	CB2300-17 CBX23-17	2
93400506	7*	Hex Lock Nut 1 1/8"-7	CB2300-17 CBX23-17	2
93400492	8	Hex Lock Nut 3/4"-10	CB2300-17 CBX23-17	4
93006035	9	Hex Bolt 3/4"-10 x 3.50" GR 5	CB2300-17 CBX23-17	4
90045298	10	Shock Absorber	CB2300-17 CBX23-17	2
XB-HHC-001-33	11	Hex Bolt 1/2"-13 x 1 3/4"	CB2300-17 CBX23-17	2
90548007	12	Threaded Rod Assembly	CB2300-17 CBX23-17	1
90531339	13	Alignment Plate	CB2300-17 CBX23-17	2
90045491	14	SwingAlign Yoke	CB2300-17 CBX23-17	1
93400149	15	Hex Lock Nut 3/4"-16	CB2300-17 CBX23-17	4
93600077	16	Washer 3/4"	CB2300-17 CBX23-17	4
93400623	17	Flange Nut 1/2"-13	CB2300-17 CBX23-17	2
93400136	18	Hex Nut - 1/2" -13	CB2300-17 CBX23-17	2
90557332	19	Air Spring	CB2300-17 CBX23-17	2
90034247	20	Plate, Mounting, Air Spring	CB2300-17 CBX23-17	2
48100465	1A*	Frame Bracket (Welded) - with integral brace	CBX23-14	1
48100462	1B*	Frame Bracket (SwingAlign) - with integral brace	CBX23-14	1
Not Available	2	Equalizing Beam LH (roadside - bushed beam only)	CBX23-14	-
Not Available	3	Equalizing Beam RH (curbside - bushed beam only)	CBX23-14	-
93201070	4*	Pivot Bolt 1 1/8"-7 x 8.0" LG GR 8	CBX23-14	2
93600553	5*	Pivot Connection Washer	CBX23-14	4
90008247	6*	Bushing	CBX23-14	2
93400506	7*	Hex Lock Nut 1 1/8"-7	CBX23-14	2
93400492	8	Hex Lock Nut 3/4"-10	CBX23-14	4
93006035	9	Hex Bolt 3/4"-10 x 3.50" GR 5	CBX23-14	4
90045607	10	Shock Absorber	CBX23-14	2
XB-HHC-001-33	11	Hex Bolt 1/2"-13 x 1 3/4"	CBX23-14	2
90548007	12	Threaded Rod Assembly	CBX23-14	1
90531339	13	Alignment Plate	CBX23-14	2
90045491	14	SwingAlign Yoke	CBX23-14	1
93400149	15	Hex Lock Nut 3/4"-16	CBX23-14	4

\* Replacement components should be purchased in Service Repair Kits, see "Table 2-2: Holland – Service & Replacement Kits" on page 2-10.

Part Number	Item No.	Description	Model Number	Qty.
93600077	16	Washer 3/4"	CBX23-14	4
93400623	17	Flange Nut 1/2"-13	CBX23-14	2
93400136	18	Hex Nut - 1/2" -13	CBX23-14	2
90557376	19	Air Spring	CBX23-14	2
90034247	20	Plate, Mounting, Air Spring	CBX23-14	2
48100466	1A*	Frame Bracket (Welded) - with integral brace	CBX25-15	1
48100464	1B*	Frame Bracket (SwingAlign) - with integral brace	CBX25-15	1
Not Available	2	Equalizing Beam LH (roadside - bushed beam only)	CBX25-15	-
Not Available	3	Equalizing Beam RH (curbside - bushed beam only)	CBX25-15	-
93201070	4*	Pivot Bolt 1 1/8"-7 x 8.0" LG GR 8	CBX25-15	2
93600553	5*	Pivot Connection Washer	CBX25-15	4
90008247	6*	Bushing	CBX25-15	2
93400506	7*	Hex Lock Nut 1 1/8"-7	CBX25-15	2
93400492	8	Hex Lock Nut 3/4"-10	CBX25-15	4
93006035	9	Hex Bolt 3/4"-10 x 3.50" GR 5	CBX25-15	4
90045608	10	Shock Absorber	CBX25-15	2
XB-HHC-001-33	11	Hex Bolt 1/2"-13 x 1 3/4"	CBX25-15	2
90548007	12	Threaded Rod Assembly	CBX25-15	1
90531339	13	Alignment Plate	CBX25-15	2
90045491	14	SwingAlign Yoke	CBX25-15	1
93400149	15	Hex Lock Nut 3/4"-16	CBX25-15	4
93600077	16	Washer 3/4"	CBX25-15	4
93400623	17	Flange Nut 1/2"-13	CBX25-15	2
93400136	18	Hex Nut - 1/2" -13	CBX25-15	2
90557376	19	Air Spring	CBX25-15	2
90034247	20	Plate, Mounting, Air Spring	CBX25-15	2
48100467	1A*	Frame Bracket (Welded) - with integral brace	CBX25-16	1
48100463	1B*	Frame Bracket (SwingAlign) - with integral brace	CBX25-16	1
Not Available	2	Equalizing Beam LH (roadside - bushed beam only)	CBX25-16	-
Not Available	3	Equalizing Beam RH (curbside - bushed beam only)	CBX25-16	-
93201070	4*	Pivot Bolt 1 1/8"-7 x 8.0" LG GR 8	CBX25-16	2
93600553	5*	Pivot Connection Washer	CBX25-16	4
90008247	6*	Bushing	CBX25-16	2
93400506	7*	Hex Lock Nut 1 1/8"-7	CBX25-16	2
93400492	8	Hex Lock Nut 3/4"-10	CBX25-16	4
93006035	9	Hex Bolt 3/4"-10 x 3.50" GR 5	CBX25-16	4
90045040	10	Shock Absorber	CBX25-16	2
XB-HHC-001-33	11	Hex Bolt 1/2"-13 x 1 3/4"	CBX25-16	2
90548007	12	Threaded Rod Assembly	CBX25-16	1
90531339	13	Alignment Plate	CBX25-16	2
90045491	14	SwingAlign Yoke	CBX25-16	1
93400149	15	Hex Lock Nut 3/4"-16	CBX25-16	4
93600077	16	Washer 3/4"	CBX25-16	4
93400623	17	Flange Nut 1/2"-13	CBX25-16	2

\* Replacement components should be purchased in Service Repair Kits, see "Table 2-2: Holland – Service & Replacement Kits" on page 2-10.

Part Number	Item No.	Description	Model Number	Qty.
93400136	18	Hex Nut - 1/2" -13	CBX25-16	2
90557377	19	Air Spring	CBX25-16	2
90034247	20	Plate, Mounting, Air Spring	CBX25-16	2
48100467	1A*	Frame Bracket (Welded) - with integral brace	CBX25-17	1
48100463	1B*	Frame Bracket (SwingAlign) - with integral brace	CBX25-17	1
Not Available	2	Equalizing Beam LH (roadside - bushed beam only)	CBX25-17	-
Not Available	3	Equalizing Beam RH (curbside - bushed beam only)	CBX25-17	-
93201070	4*	Pivot Bolt 1 1/8"-7 x 8.0" LG GR 8	CBX25-17	2
93600553	5*	Pivot Connection Washer	CBX25-17	4
90008247	6*	Bushing	CBX25-17	2
93400506	7*	Hex Lock Nut 1 1/8"-7	CBX25-17	2
93400492	8	Hex Lock Nut 3/4"-10	CBX25-17	4
93006035	9	Hex Bolt 3/4"-10 x 3.50" GR 5	CBX25-17	4
90045040	10	Shock Absorber	CBX25-17	2
XB-HHC-001-33	11	Hex Bolt 1/2"-13 x 1 3/4"	CBX25-17	2
90548007	12	Threaded Rod Assembly	CBX25-17	1
90531339	13	Alignment Plate	CBX25-17	2
90045491	14	SwingAlign Yoke	CBX25-17	1
93400149	15	Hex Lock Nut 3/4"-16	CBX25-17	4
93600077	16	Washer 3/4"	CBX25-17	4
93400623	17	Flange Nut 1/2"-13	CBX25-17	2
93400136	18	Hex Nut - 1/2" -13	CBX25-17	2
90557377	19	Air Spring	CBX25-17	2
90034247	20	Plate, Mounting, Air Spring	CBX25-17	2

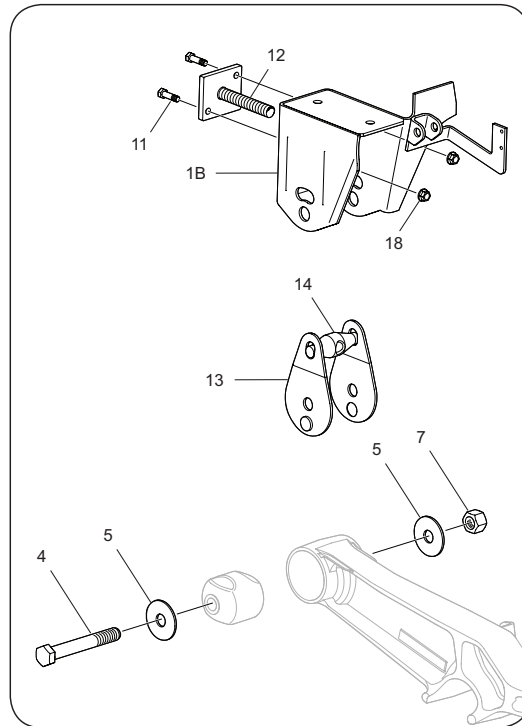
\* Replacement components should be purchased in Service Repair Kits, see "Table 2-2: Holland – Service & Replacement Kits" on page 2-10.

## HOLLAND – SERVICE & REPLACEMENT KITS

Table 2-2: Holland – Service & Replacement Kits

Part Number	Item No.	Description	Qty.
-------------	----------	-------------	------

**SWINGALIGN™ FRAME BRACKET,  
14" RIDE HEIGHT: SRK-598; PART  
NUMBER: 48100462**



93201070	4	Rod Bolt 11/8" - 7 x 8"	2
93600553	5	Washer	4
93400506	7	Lock Nut 11/8" - 7	2
90521823	1B	Frame Bracket, Roadside	1
90548007	12	Threaded Rod Assembly	1
XB-HHC-001-33	11	Bolt, Hex 1/2" - 13 x 13/4"	2
93400136	18	Nut, Hex 1/2" - 13	2
90045491	14	SwingAlign™ Yoke	1
90531 339	13	Alignment Plate	2

**SWINGALIGN™ FRAME BRACKET, 15" RIDE HEIGHT: SRK-600; PART NUMBER: 48100464**

93201070	4	Rod Bolt 11/8" - 7 x 8"	2
93600553	5	Washer	4
93400506	7	Lock Nut 11/8" - 7	2
90521824	1B	Frame Bracket, Roadside	1
90548007	12	Threaded Rod Assembly	1
XB-HHC-001-33	11	Bolt, Hex 1/2" - 13 x 13/4"	2
93400136	18	Nut, Hex 1/2" - 13	2
90045491	14	SwingAlign™ Yoke	1
90531339	13	Alignment Plate	2

Part Number	Item No.	Description	Qty.
-------------	----------	-------------	------

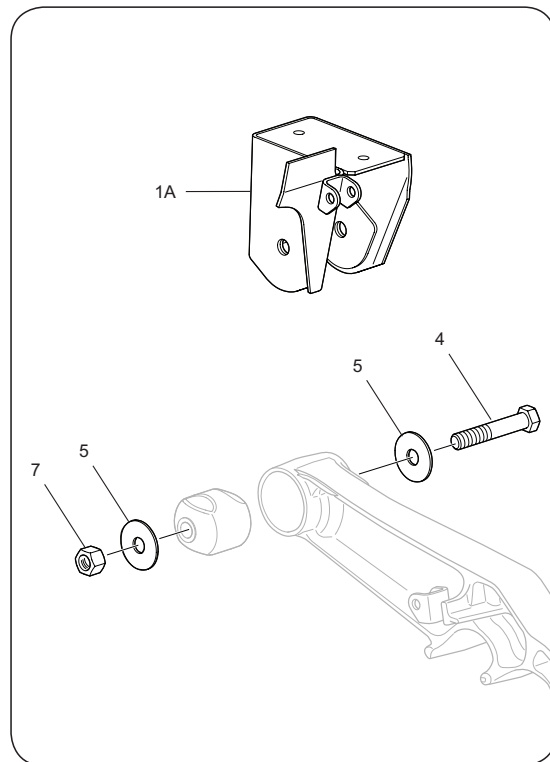
### SWINGALIGN™ FRAME BRACKET, 16" & 17" RIDE HEIGHT: SRK-599; PART NUMBER: 48100463

93201070	4	Rod Bolt 11/8" - 7 x 8"	2
93600553	5	Washer	4
93400506	7	Lock Nut 11/8" - 7	2
90521825	1B	Frame Bracket, Roadside	1
90548007	12	Threaded Rod Assembly	1
XB-HHC-001-33	11	Bolt, Hex 1/2" - 13 x 13/4"	2
93400136	18	Nut, Hex 1/2" - 13	2
90045491	14	SwingAlign™ Yoke	1
90531339	13	Alignment Plate	2

### SWINGALIGN™, SRK-542; PART NUMBER: 48100406

93201070	4	Rod Bolt 11/8" - 7 x 8"	2
93600553	5	Washer	4
93400506	7	Lock Nut 11/8" - 7	2
90548007	12	Threaded Rod Assembly	1
XB-HHC-001-33	11	Bolt, Hex 1/2" - 13 x 13/4"	2
93400136	18	Nut, Hex 1/2" - 13	2
90045491	14	SwingAlign™ Yoke	1
90531339	13	Alignment Plate	2

### FIXED FRAME BRACKET, 14" RIDE HEIGHT: SRK-601; PART NUMBER: 48100465



93201070	4	Rod Bolt 11/8" - 7 x 8"	2
93600553	5	Washer	4

Part Number	Item No.	Description	Qty.
90521826	1A	Frame Bracket, Curbside	1
93400506	7	Lock Nut 11/8" - 7"	2

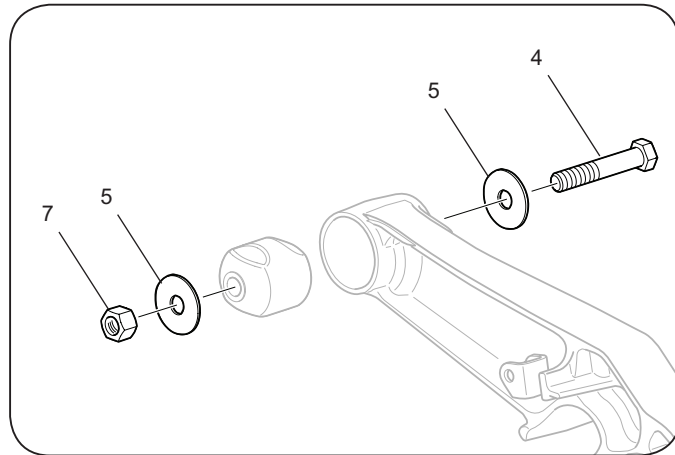
**FIXED FRAME BRACKET, 15" RIDE HEIGHT: SRK-602; PART NUMBER: 48100466**

93201070	4	Rod Bolt 11/8" - 7 x 8"	2
93600553	5	Washer	4
90521827	1A	Frame Bracket, Curbside	1
93400506	7	Lock Nut 11/8" - 7"	2

**FIXED FRAME BRACKET, 16" & 17" RIDE HEIGHT: SRK-603; PART NUMBER: 48100467**

93201070	4	Rod Bolt 11/8" - 7 x 8"	2
93600553	5	Washer	4
90521828	1A	Frame Bracket, Curbside	1
93400506	7	Lock Nut 11/8" - 7"	2

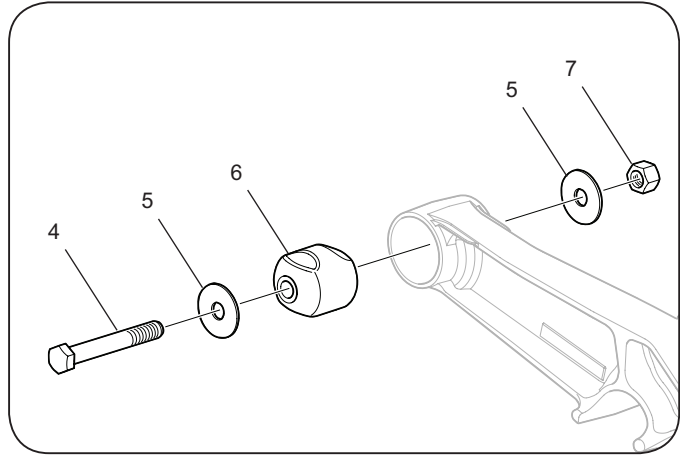
**PIVOT CONNECTION, SRK-530; PART NUMBER: 48100394**



93201070	4	Rod Bolt 11/8" - 7 x 8"	2
90008247	6	Rubber Bushing	2
93400506	7	Lock Nut 11/8" - 7"	2
93600553	5	Washer	4

Part Number	Item No.	Description	Qty.
-------------	----------	-------------	------

**PIVOT CONNECTION, SRK-607; PART NUMBER: 48100471**



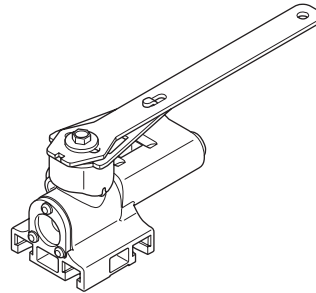
93201070	4	Pivot Bolt 11/8" - 7 x 8" Gr 8	2
93400506	7	Hex Lock Nut 11/8" - 7 Gr C	2
93600553	5	Washer	4

## HOLLAND – VALVES

Table 2-3: Holland – Valves

Part Number	Description
-------------	-------------

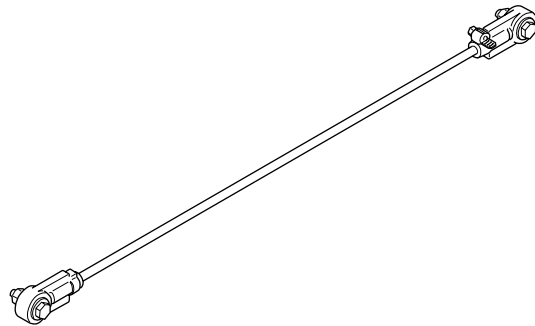
### HEIGHT CONTROL VALVE (HCV)



50860001	Max-Valve™ HCV - No Dump
50860002	Max-Valve™ HCV - Manual Dump
50860003	Max-Valve™ HCV - Automatic Dump

Part Number	Description
-------------	-------------

**ADJUSTABLE HEIGHT CONTROL LINKAGE**



50860006	Adjustable Height Control Linkage
----------	-----------------------------------

**PRESSURE PROTECTION VALVE**



90560109	Pressure Protection Valve
----------	---------------------------



# HOLLAND – CB400 SUSPENSION COMPONENTS

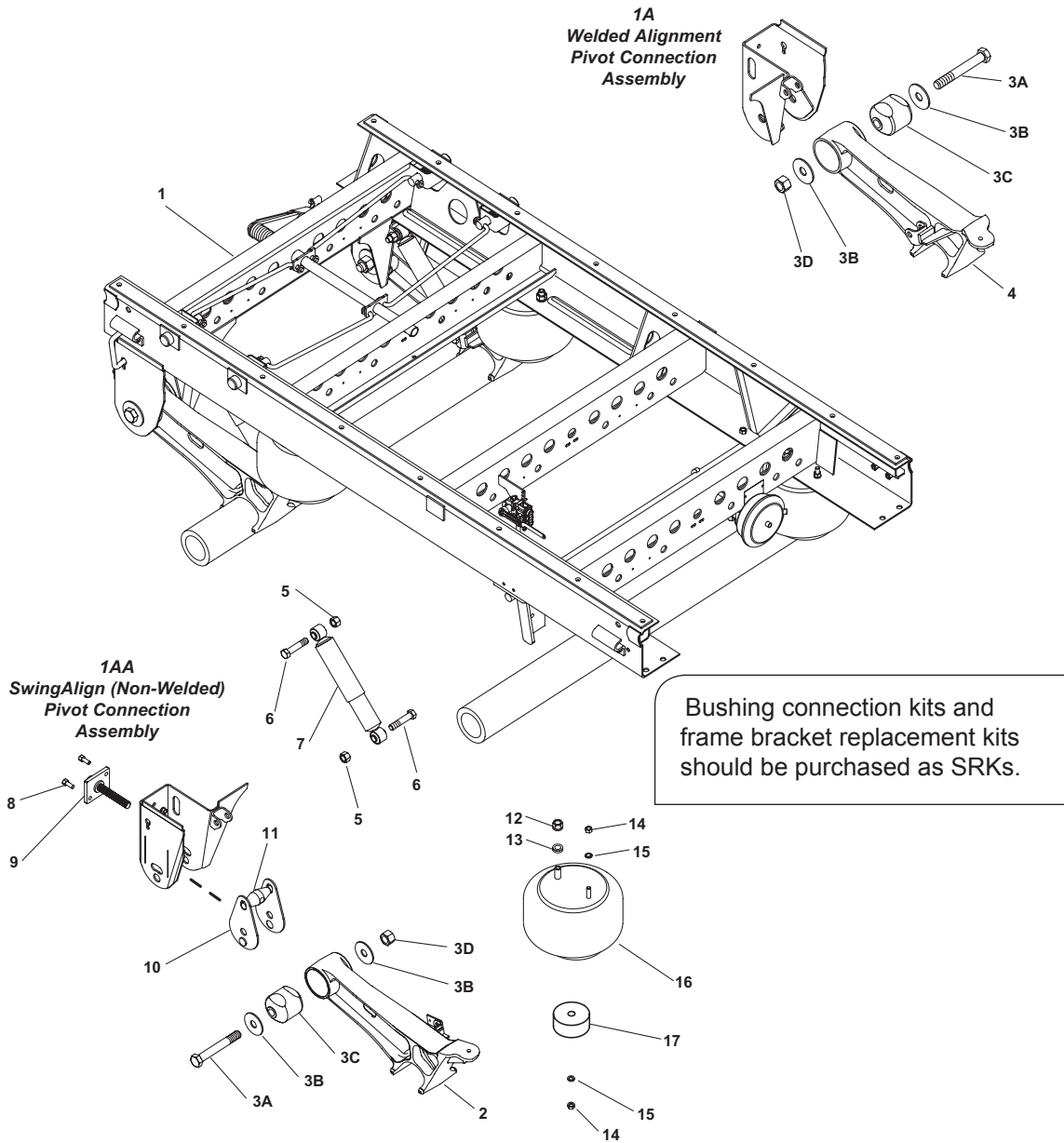


Table 2-4: Holland – CB400 Suspension Components

Part Number	Item No.	Description	Model Number	Qty.
905 21 743	1A	Frame Bracket (Welded)	CB400-15.5	2
905 21 742	1AA	Frame Bracket (SwingAlign)	CB400-15.6	2
905 48 008	2	Equalizing Beam LH (roadside - bushed beam only)	CB400-15.7	2
932 01 070	3A*	Pivot Bolt 1-1/8"-7 x 8.0" LG GR 8	CB400-15.8	4
936 00 553	3B*	Pivot Connection Washer	CB400-15.9	8
900 08 247	3C*	Bushing	CB400-15.10	2

\* Replacement components should be purchased in bushing connection SRK kits, see "Table 2-6: Holland – CB400 Service & Repair/Replacement Kits" on page 2-23.

\*\* Single spacer only used on 16.5" and 17.0" ride heights.

Part Number	Item No.	Description	Model Number	Qty.
934 00 506	3D*	Hex Lock Nut 1-1/8"-7	CB400-15.11	4
905 48 009	4	Equalizing Beam RH (curbside - bushed beam only)	CB400-15.12	2
934 00 492	5	Hex Lock Nut 3/4"-10	CB400-15.13	8
930 03 597	6	Hex Bolt 3/4"-10 x 3.50" GR 5	CB400-15.14	8
900 45 298	7	Shock Absorber	CB400-15.15	4
930 02 903	8	Hex Bolt 1/2"-13 x 1-1/4"	CB400-15.16	4
905 48 007	9	Threaded Rod Assembly	CB400-15.17	2
905 31 339	10	Alignment Plate	CB400-15.18	2
900 45 491	11	SwingAlign Yoke	CB400-15.19	2
934 00 149	12	Hex Nut 3/4"-16	CB400-15.20	4
936 00 077	13	Washer 3/4"	CB400-15.21	4
934 00 136	14	Hex Nut 1/2"-13	CB400-15.22	12
936 00 072	15	Washer 1/2"	CB400-15.23	12
905 57 306	16	Air Spring	CB400-15.24	4
905 21 743	1A	Frame Bracket (Welded)	CB400-16.0	2
905 21 742	1AA	Frame Bracket (SwingAlign)	CB400-16.1	2
905 48 008	2	Equalizing Beam LH (roadside - bushed beam only)	CB400-16.2	2
932 01 070	3A*	Pivot Bolt 1-1/8"-7 x 8.0" LG GR 8	CB400-16.3	4
936 00 553	3B*	Pivot Connection Washer	CB400-16.4	8
900 08 247	3C*	Bushing	CB400-16.5	2
934 00 506	3D*	Hex Lock Nut 1-1/8"-7	CB400-16.6	4
905 48 009	4	Equalizing Beam RH (curbside - bushed beam only)	CB400-16.7	2
934 00 492	5	Hex Lock Nut 3/4"-10	CB400-16.8	8
930 03 597	6	Hex Bolt 3/4"-10 x 3.50" GR 5	CB400-16.9	8
900 45 298	7	Shock Absorber	CB400-16.10	4
930 02 903	8	Hex Bolt 1/2"-13 x 1-1/4"	CB400-16.11	4
905 48 007	9	Threaded Rod Assembly	CB400-16.12	2
905 31 339	10	Alignment Plate	CB400-16.13	2
900 45 491	11	SwingAlign Yoke	CB400-16.14	2
934 00 149	12	Hex Nut 3/4"-16	CB400-16.15	4
936 00 077	13	Washer 3/4"	CB400-16.16	4
934 00 136	14	Hex Nut 1/2"-13	CB400-16.17	12
936 00 072	15	Washer 1/2"	CB400-16.18	12
905 57 306	16	Air Spring	CB400-16.19	4
905 21 743	1A	Frame Bracket (Welded)	CB400-16.5	2
905 21 742	1AA	Frame Bracket (SwingAlign)	CB400-16.6	2
905 48 008	2	Equalizing Beam LH (roadside - bushed beam only)	CB400-16.7	2
932 01 070	3A*	Pivot Bolt 1-1/8"-7 x 8.0" LG GR 8	CB400-16.8	4
936 00 553	3B*	Pivot Connection Washer	CB400-16.9	8
900 08 247	3C*	Bushing	CB400-16.10	2
934 00 506	3D*	Hex Lock Nut 1-1/8"-7	CB400-16.11	4
905 48 009	4	Equalizing Beam RH (curbside - bushed beam only)	CB400-16.12	2
934 00 492	5	Hex Lock Nut 3/4"-10	CB400-16.13	8

\* Replacement components should be purchased in bushing connection SRK kits, see "Table 2-6: Holland – CB400 Service & Repair/Replacement Kits" on page 2-23.

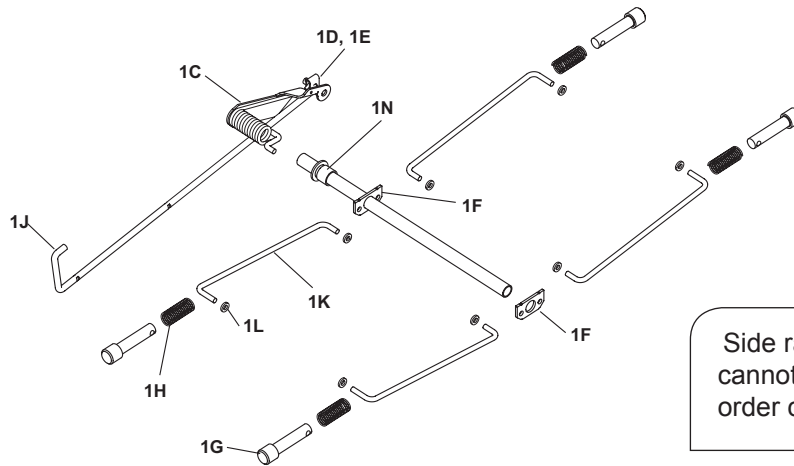
\*\* Single spacer only used on 16.5" and 17.0" ride heights.

Part Number	Item No.	Description	Model Number	Qty.
930 03 597	6	Hex Bolt 3/4"-10 x 3.50" GR 5	CB400-16.14	8
900 44 162	7	Shock Absorber	CB400-16.15	4
930 02 903	8	Hex Bolt 1/2"-13 x 1-1/4"	CB400-16.16	4
905 48 007	9	Threaded Rod Assembly	CB400-16.17	2
905 31 339	10	Alignment Plate	CB400-16.18	2
900 45 491	11	SwingAlign Yoke	CB400-16.19	2
934 00 149	12	Hex Nut 3/4"-16	CB400-16.20	4
936 00 077	13	Washer 3/4"	CB400-16.21	4
934 00 136	14	Hex Nut 1/2"-13	CB400-16.22	12
936 00 072	15	Washer 1/2"	CB400-16.23	12
905 57 306	16	Air Spring	CB400-16.24	4
900 36 257	17**	Spacer	CB400-16.25	4
905 21 743	1A	Frame Bracket (Welded)	CB400-17.0	2
905 21 742	1AA	Frame Bracket (SwingAlign)	CB400-17.1	2
905 48 008	2	Equalizing Beam LH (roadside - bushed beam only)	CB400-17.2	2
932 01 070	3A*	Pivot Bolt 1-1/8"-7 x 8.0" LG GR 8	CB400-17.3	4
936 00 553	3B*	Pivot Connection Washer	CB400-17.4	8
900 08 247	3C*	Bushing	CB400-17.5	2
934 00 506	3D*	Hex Lock Nut 1-1/8"-7	CB400-17.6	4
905 48 009	4	Equalizing Beam RH (curbside - bushed beam only)	CB400-17.7	2
934 00 492	5	Hex Lock Nut 3/4"-10	CB400-17.8	8
930 03 597	6	Hex Bolt 3/4"-10 x 3.50" GR 5	CB400-17.9	8
900 44 162	7	Shock Absorber	CB400-17.10	4
930 02 903	8	Hex Bolt 1/2"-13 x 1-1/4"	CB400-17.11	4
905 48 007	9	Threaded Rod Assembly	CB400-17.12	2
905 31 339	10	Alignment Plate	CB400-17.13	2
900 45 491	11	SwingAlign Yoke	CB400-17.14	2
934 00 149	12	Hex Nut 3/4"-16	CB400-17.15	4
936 00 077	13	Washer 3/4"	CB400-17.16	4
934 00 136	14	Hex Nut 1/2"-13	CB400-17.17	12
936 00 072	15	Washer 1/2"	CB400-17.18	12
905 57 306	16	Air Spring	CB400-17.19	4
900 36 258	17**	Spacer	CB400-17.20	4

\* Replacement components should be purchased in bushing connection SRK kits, see "Table 2-6: Holland – CB400 Service & Repair/Replacement Kits" on page 2-23.

\*\* Single spacer only used on 16.5" and 17.0" ride heights.

# HOLLAND – CB400 SLIDER BOX COMPONENTS



Side rails and crossmembers cannot be replaced. If damaged, order complete slider, item No. 1.

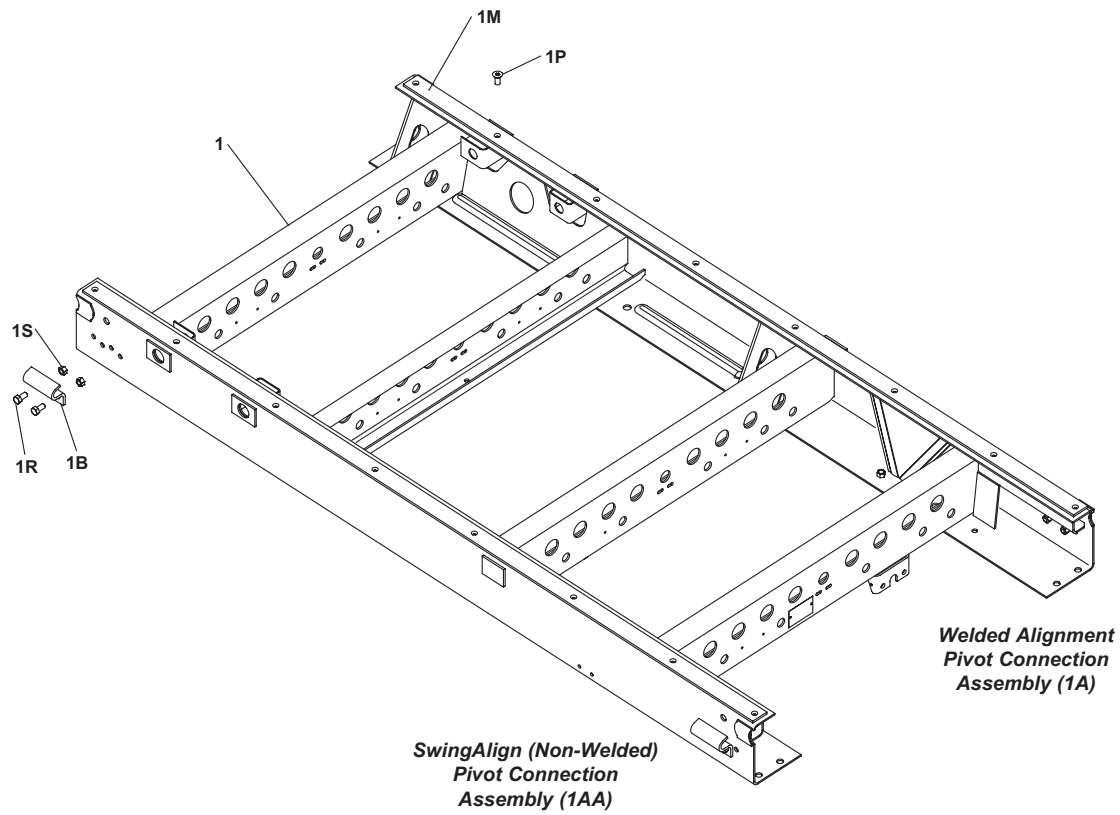


Table 2-5: Holland – CB400 Slider Box Components

Part Number	Item No.	Description	Model Number	Qty.	Slider
CL211Q1A11	1	Slider Assembly w/ Qwik Release w/ 2 SwingAlign & 2 Fixed Frame Brkts.*	CB400-15.26	1	42"
CL111Q1A11	1	Slider Assembly w/ Qwik Release w/ 2 SwingAlign & 2 Fixed Frame Brkts.*	CB400-15.27	1	48"
CH211Q1A11	1	Slider Assembly w/ Qwik Release w/ 2 SwingAlign & 2 Fixed Frame Brkts.*	CB400-15.28	1	42"

\* SwingAlign non-welded style "adjustable" frame bracket on roadside; welded style "fixed" frame bracket on curbside.

\*\* CL = Holland slider box rail style; CH = Hutch slider box rail style; CT = TTMA slider box rail style; CU = Utility slider box rail style.

Part Number	Item No.	Description	Model Number	Qty.	Slider
CH111Q1A11	1	Slider Assembly w/ Qwik Release w/ 2 SwingAlign & 2 Fixed Frame Brkts.*	CB400-15.29	1	48"
CT211Q1A11	1	Slider Assembly w/ Qwik Release w/ 2 SwingAlign & 2 Fixed Frame Brkts.*	CB400-15.30	1	42"
CT111Q1A11	1	Slider Assembly w/ Qwik Release w/ 2 SwingAlign & 2 Fixed Frame Brkts.*	CB400-15.31	1	48"
CU211Q1A11	1	Slider Assembly w/ Qwik Release w/ 2 SwingAlign & 2 Fixed Frame Brkts.*	CB400-15.32	1	42"
CU111Q1A11	1	Slider Assembly w/ Qwik Release w/ 2 SwingAlign & 2 Fixed Frame Brkts.*	CB400-15.33	1	48"
N/A	1A	Frame Bracket (Welded)	CB400-15.34	N/A	42"
See "Table 2-6: Holland – CB400 Service & Repair/ Replacement Kits" on page 2-23.	1A	Frame Bracket (Welded)	CB400-15.35	N/A	48"
	1AA	Frame Bracket (SwingAlign)	CB400-15.36	N/A	42"
SL0893	1B	Hold Down Bracket	CB400-15.37	4	48"
SL0893	1B	Hold Down Bracket	CB400-15.38	4	42"
SL0A1277-01	1C	Torsion Cam	CB400-15.39	1	48"
SL0A1277-01	1C	Torsion Cam	CB400-15.40	1	42"
SL0A1273	1D	Pull Handle Clip	CB400-15.41	1	48"
SL0A1273	1D	Pull Handle Clip	CB400-15.42	1	42"
XB-CTP-014-59	1E	Cotter Pin 3/16" x 11/2"	CB400-15.43	1	48"
XB-CTP-014-59	1E	Cotter Pin 3/16" x 11/2"	CB400-15.44	1	42"
SL0A1274	1F	Cam Plate	CB400-15.45	2	48"
SL0A1274	1F	Cam Plate	CB400-15.46	2	42"
SL0A1261	1G	Lock Pin Hutch Style 15/8" Dia.	CB400-15.47	4	48"
SL0A1261	1G	Lock Pin Hutch Style 15/8" Dia.	CB400-15.48	4	42"
SL0A1238	1G	Lock Pin 13/8" Dia. All Others	CB400-15.49	4	48"
SL0A1238	1G	Lock Pin 13/8" Dia. All Others	CB400-15.50	4	42"
XB-SPG-020-35	1H	Compression Spring	CB400-15.51	4	48"
XB-SPG-020-35	1H	Compression Spring	CB400-15.52	4	42"
SL0A1269-02	1J	Pull Handle	CB400-15.53	1	48"
SL0A1269-01	1J	Pull Handle	CB400-15.54	1	42"
SL0A1239-01	1K	Pin Pull Rod	CB400-15.55	4	48"
SL0A1239-02	1K	Pin Pull Rod	CB400-15.56	4	42"
XB-PW-016-85	1L	Washer 1/2" (Pin Pull Rod)	CB400-15.57	8	48"
XB-PW-016-85	1L	Washer 1/2" (Pin Pull Rod)	CB400-15.58	8	42"
XB-SL0A1054	1M	Slider Pad 96" (Long)	CB400-15.59	2	48"
XB-SL0A1054	1M	Slider Pad 96" (Long)	CB400-15.60	2	42"
SL0523-07	1N	Spacer (Cam Shaft Stop)	CB400-15.61	1	48"
SL0523-07	1N	Spacer (Cam Shaft Stop)	CB400-15.62	1	42"
XB-ST5-008-16	1P	Self Tap Screw 5/16"-18 x 3/4"	CB400-15.63	16	48"
XB-ST5-008-16	1P	Self Tap Screw 5/16"-18 x 3/4"	CB400-15.64	16	42"
XB-HHC-001-33	1R	Hold Down Bracket Bolt 1/2"-13 x 11/4"	CB400-15.65	8	48"
XB-HHC-001-33	1R	Hold Down Bracket Bolt 1/2"-13 x 11/4"	CB400-15.66	8	42"
XB-SLN-012-42	1S	Hold Down Bracket Lock Nut 1/2"-13	CB400-15.67	8	48"
XB-SLN-012-42	1S	Hold Down Bracket Lock Nut 1/2"-13	CB400-15.68	8	42"
CL221Q1A11	1	Slider Assembly w/ Qwik Release w/ 2 SwingAlign & 2 Fixed Frame Brkts.*	CB400-16.21	1	48"

\* SwingAlign non-welded style "adjustable" frame bracket on roadside; welded style "fixed" frame bracket on curbside.

\*\* CL = Holland slider box rail style; CH = Hutch slider box rail style; CT = TTMA slider box rail style; CU = Utility slider box rail style.

Part Number	Item No.	Description	Model Number	Qty.	Slider
CL121Q1A11	1	Slider Assembly w/ Qwik Release w/ 2 SwingAlign & 2 Fixed Frame Brkts.*	CB400-16.22	1	42"
CH221Q1A11	1	Slider Assembly w/ Qwik Release w/ 2 SwingAlign & 2 Fixed Frame Brkts.*	CB400-16.23	1	48"
CH121Q1A11	1	Slider Assembly w/ Qwik Release w/ 2 SwingAlign & 2 Fixed Frame Brkts.*	CB400-16.24	1	42"
CT221Q1A11	1	Slider Assembly w/ Qwik Release w/ 2 SwingAlign & 2 Fixed Frame Brkts.*	CB400-16.25	1	48"
CT121Q1A11	1	Slider Assembly w/ Qwik Release w/ 2 SwingAlign & 2 Fixed Frame Brkts.*	CB400-16.26	1	42"
CU221Q1A11	1	Slider Assembly w/ Qwik Release w/ 2 SwingAlign & 2 Fixed Frame Brkts.*	CB400-16.27	1	48"
CU121Q1A11	1	Slider Assembly w/ Qwik Release w/ 2 SwingAlign & 2 Fixed Frame Brkts.*	CB400-16.28	1	42"
N/A	1A	Frame Bracket (Welded)	CB400-16.29	N/A	48"
See "Table 2-6: Holland – CB400 Service & Repair/ Replacement Kits" on page 2-23.	1A	Frame Bracket (Welded)	CB400-16.30	N/A	42"
	1AA	Frame Bracket (SwingAlign)	CB400-16.31	N/A	48"
	1B	Hold Down Bracket	CB400-16.32	4	42"
SL0893	1B	Hold Down Bracket	CB400-16.33	4	48"
SL0A1277-01	1C	Torsion Cam	CB400-16.34	1	42"
SL0A1277-01	1C	Torsion Cam	CB400-16.35	1	48"
SL0A1273	1D	Pull Handle Clip	CB400-16.36	1	42"
SL0A1273	1D	Pull Handle Clip	CB400-16.37	1	48"
XB-CTP-014-59	1E	Cotter Pin 3/16" x 11/2"	CB400-16.38	1	42"
XB-CTP-014-59	1E	Cotter Pin 3/16" x 11/2"	CB400-16.39	1	48"
SL0A1274	1F	Cam Plate	CB400-16.40	2	42"
SL0A1274	1F	Cam Plate	CB400-16.41	2	48"
SL0A1261	1G	Lock Pin Hutch Style 15/8" Dia.	CB400-16.42	4	42"
SL0A1261	1G	Lock Pin Hutch Style 15/8" Dia.	CB400-16.43	4	48"
SL0A1238	1G	Lock Pin 13/8" Dia. All Others	CB400-16.44	4	42"
SL0A1238	1G	Lock Pin 13/8" Dia. All Others	CB400-16.45	4	48"
XB-SPG-020-35	1H	Compression Spring	CB400-16.46	4	42"
XB-SPG-020-35	1H	Compression Spring	CB400-16.47	4	48"
SL0A1269-02	1J	Pull Handle	CB400-16.48	1	42"
SL0A1269-01	1J	Pull Handle	CB400-16.49	1	48"
SL0A1239-01	1K	Pin Pull Rod	CB400-16.50	4	42"
SL0A1239-02	1K	Pin Pull Rod	CB400-16.51	4	48"
XB-PW-016-85	1L	Washer 1/2" (Pin Pull Rod)	CB400-16.52	8	42"
XB-PW-016-85	1L	Washer 1/2" (Pin Pull Rod)	CB400-16.53	8	48"
XB-SL0A1054	1M	Slider Pad 96" (Long)	CB400-16.54	2	42"
XB-SL0A1054	1M	Slider Pad 96" (Long)	CB400-16.55	2	48"
SL0523-07	1N	Spacer (Cam Shaft Stop)	CB400-16.56	1	42"
SL0523-07	1N	Spacer (Cam Shaft Stop)	CB400-16.57	1	48"
XB-ST5-008-16	1P	Self Tap Screw 5/16"-18 x 3/4"	CB400-16.58	16	42"
XB-ST5-008-16	1P	Self Tap Screw 5/16"-18 x 3/4"	CB400-16.59	16	48"
XB-HHC-001-33	1R	Hold Down Bracket Bolt 1/2"-13 x 11/4"	CB400-16.60	8	42"
XB-HHC-001-33	1R	Hold Down Bracket Bolt 1/2"-13 x 11/4"	CB400-16.61	8	48"
XB-SLN-012-42	1S	Hold Down Bracket Lock Nut 1/2"-13	CB400-16.62	8	42"

\* SwingAlign non-welded style "adjustable" frame bracket on roadside; welded style "fixed" frame bracket on curbside.

\*\* CL = Holland slider box rail style; CH = Hutch slider box rail style; CT = TTMA slider box rail style; CU = Utility slider box rail style.

Part Number	Item No.	Description	Model Number	Qty.	Slider
XB-SLN-012-42	1S	Hold Down Bracket Lock Nut 1/2"-13	CB400-16.63	8	48"
CL231Q1A11	1	Slider Assembly w/ Qwik Release w/ 2 SwingAlign & 2 Fixed Frame Brkts.*	CB400-16.26	1	42"
CL131Q1A11	1	Slider Assembly w/ Qwik Release w/ 2 SwingAlign & 2 Fixed Frame Brkts.*	CB400-16.27	1	48"
CH231Q1A11	1	Slider Assembly w/ Qwik Release w/ 2 SwingAlign & 2 Fixed Frame Brkts.*	CB400-16.28	1	42"
CH131Q1A11	1	Slider Assembly w/ Qwik Release w/ 2 SwingAlign & 2 Fixed Frame Brkts.*	CB400-16.29	1	48"
CT231Q1A11	1	Slider Assembly w/ Qwik Release w/ 2 SwingAlign & 2 Fixed Frame Brkts.*	CB400-16.30	1	42"
CT131Q1A11	1	Slider Assembly w/ Qwik Release w/ 2 SwingAlign & 2 Fixed Frame Brkts.*	CB400-16.31	1	48"
CU231Q1A11	1	Slider Assembly w/ Qwik Release w/ 2 SwingAlign & 2 Fixed Frame Brkts.*	CB400-16.32	1	42"
CU131Q1A11	1	Slider Assembly w/ Qwik Release w/ 2 SwingAlign & 2 Fixed Frame Brkts.*	CB400-16.33	1	48"
N/A	1A	Frame Bracket (Welded)	CB400-16.34	N/A	42"
See "Table 2-6: Holland – CB400 Service & Repair/ Replacement Kits" on page 2-23.	1A	Frame Bracket (Welded)	CB400-16.35	N/A	48"
	1AA	Frame Bracket (SwingAlign)	CB400-16.36	N/A	42"
SL0893	1B	Hold Down Bracket	CB400-16.37	4	48"
SL0893	1B	Hold Down Bracket	CB400-16.38	4	42"
SL0A1277-01	1C	Torsion Cam	CB400-16.39	1	48"
SL0A1277-01	1C	Torsion Cam	CB400-16.40	1	42"
SL0A1273	1D	Pull Handle Clip	CB400-16.41	1	48"
SL0A1273	1D	Pull Handle Clip	CB400-16.42	1	42"
XB-CTP-014-59	1E	Cotter Pin 3/16" x 11/2"	CB400-16.43	1	48"
XB-CTP-014-59	1E	Cotter Pin 3/16" x 11/2"	CB400-16.44	1	42"
SL0A1274	1F	Cam Plate	CB400-16.45	2	48"
SL0A1274	1F	Cam Plate	CB400-16.46	2	42"
SL0A1261	1G	Lock Pin Hutch Style 15/8" Dia.	CB400-16.47	4	48"
SL0A1261	1G	Lock Pin Hutch Style 15/8" Dia.	CB400-16.48	4	42"
SL0A1238	1G	Lock Pin 13/8" Dia. All Others	CB400-16.49	4	48"
SL0A1238	1G	Lock Pin 13/8" Dia. All Others	CB400-16.50	4	42"
XB-SPG-020-35	1H	Compression Spring	CB400-16.51	4	48"
XB-SPG-020-35	1H	Compression Spring	CB400-16.52	4	42"
SL0A1269-02	1J	Pull Handle	CB400-16.53	1	48"
SL0A1269-01	1J	Pull Handle	CB400-16.54	1	42"
SL0A1239-01	1K	Pin Pull Rod	CB400-16.55	4	48"
SL0A1239-02	1K	Pin Pull Rod	CB400-16.56	4	42"
XB-PW-016-85	1L	Washer 1/2" (Pin Pull Rod)	CB400-16.57	8	48"
XB-PW-016-85	1L	Washer 1/2" (Pin Pull Rod)	CB400-16.58	8	42"
XB-SL0A1054	1M	Slider Pad 96" (Long)	CB400-16.59	2	48"
XB-SL0A1054	1M	Slider Pad 96" (Long)	CB400-16.60	2	42"
SL0523-07	1N	Spacer (Cam Shaft Stop)	CB400-16.61	1	48"
SL0523-07	1N	Spacer (Cam Shaft Stop)	CB400-16.62	1	42"
XB-ST5-008-16	1P	Self Tap Screw 5/16"-18 x 3/4"	CB400-16.63	16	48"
XB-ST5-008-16	1P	Self Tap Screw 5/16"-18 x 3/4"	CB400-16.64	16	42"
XB-HHC-001-33	1R	Hold Down Bracket Bolt 1/2"-13 x 11/4"	CB400-16.65	8	48"

\* SwingAlign non-welded style "adjustable" frame bracket on roadside; welded style "fixed" frame bracket on curbside.

\*\* CL = Holland slider box rail style; CH = Hutch slider box rail style; CT = TTMA slider box rail style; CU = Utility slider box rail style.

Part Number	Item No.	Description	Model Number	Qty.	Slider
XB-HHC-001-33	1R	Hold Down Bracket Bolt 1/2"-13 x 11/4"	CB400-16.66	8	42"
XB-SLN-012-42	1S	Hold Down Bracket Lock Nut 1/2"-13	CB400-16.67	8	48"
XB-SLN-012-42	1S	Hold Down Bracket Lock Nut 1/2"-13	CB400-16.68	8	42"
CL241Q1A11	1	Slider Assembly w/ Qwik Release w/ 2 SwingAlign & 2 Fixed Frame Brkts.*	CB400-17.21	1	48"
CL141Q1A11	1	Slider Assembly w/ Qwik Release w/ 2 SwingAlign & 2 Fixed Frame Brkts.*	CB400-17.22	1	42"
CH241Q1A11	1	Slider Assembly w/ Qwik Release w/ 2 SwingAlign & 2 Fixed Frame Brkts.*	CB400-17.23	1	48"
CH141Q1A11	1	Slider Assembly w/ Qwik Release w/ 2 SwingAlign & 2 Fixed Frame Brkts.*	CB400-17.24	1	42"
CT241Q1A11	1	Slider Assembly w/ Qwik Release w/ 2 SwingAlign & 2 Fixed Frame Brkts.*	CB400-17.25	1	48"
CT141Q1A11	1	Slider Assembly w/ Qwik Release w/ 2 SwingAlign & 2 Fixed Frame Brkts.*	CB400-17.26	1	42"
CU241Q1A11	1	Slider Assembly w/ Qwik Release w/ 2 SwingAlign & 2 Fixed Frame Brkts.*	CB400-17.27	1	48"
CU141Q1A11	1	Slider Assembly w/ Qwik Release w/ 2 SwingAlign & 2 Fixed Frame Brkts.*	CB400-17.28	1	42"
N/A	1A	Frame Bracket (Welded)	CB400-17.29	N/A	48"
N/A	1A	Frame Bracket (Welded)	CB400-17.30	N/A	42"
N/A	1AA	Frame Bracket (SwingAlign)	CB400-17.31	N/A	48"
SL0893	1B	Hold Down Bracket	CB400-17.32	4	42"
SL0893	1B	Hold Down Bracket	CB400-17.33	4	48"
SL0A1277-01	1C	Torsion Cam	CB400-17.34	1	42"
SL0A1277-01	1C	Torsion Cam	CB400-17.35	1	48"
SL0A1273	1D	Pull Handle Clip	CB400-17.36	1	42"
SL0A1273	1D	Pull Handle Clip	CB400-17.37	1	48"
XB-CTP-014-59	1E	Cotter Pin 3/16" x 11/2"	CB400-17.38	1	42"
XB-CTP-014-59	1E	Cotter Pin 3/16" x 11/2"	CB400-17.39	1	48"
SL0A1274	1F	Cam Plate	CB400-17.40	2	42"
SL0A1274	1F	Cam Plate	CB400-17.41	2	48"
SL0A1261	1G	Lock Pin Hutch Style 15/8" Dia.	CB400-17.42	4	42"
SL0A1261	1G	Lock Pin Hutch Style 15/8" Dia.	CB400-17.43	4	48"
SL0A1238	1G	Lock Pin 13/8" Dia. All Others	CB400-17.44	4	42"
SL0A1238	1G	Lock Pin 13/8" Dia. All Others	CB400-17.45	4	48"
XB-SPG-020-35	1H	Compression Spring	CB400-17.46	4	42"
XB-SPG-020-35	1H	Compression Spring	CB400-17.47	4	48"
SL0A1269-02	1J	Pull Handle	CB400-17.48	1	42"
SL0A1269-01	1J	Pull Handle	CB400-17.49	1	48"
SL0A1239-01	1K	Pin Pull Rod	CB400-17.50	4	42"
SL0A1239-02	1K	Pin Pull Rod	CB400-17.51	4	48"
XB-PW-016-85	1L	Washer 1/2" (Pin Pull Rod)	CB400-17.52	8	42"
XB-PW-016-85	1L	Washer 1/2" (Pin Pull Rod)	CB400-17.53	8	48"
XB-SL0A1054	1M	Slider Pad 96" (Long)	CB400-17.54	2	42"
XB-SL0A1054	1M	Slider Pad 96" (Long)	CB400-17.55	2	48"
SL0523-07	1N	Spacer (Cam Shaft Stop)	CB400-17.56	1	42"
SL0523-07	1N	Spacer (Cam Shaft Stop)	CB400-17.57	1	48"
XB-ST5-008-16	1P	Self Tap Screw 5/16"-18 x 3/4"	CB400-17.58	16	42"
XB-ST5-008-16	1P	Self Tap Screw 5/16"-18 x 3/4"	CB400-17.59	16	48"
XB-HHC-001-33	1R	Hold Down Bracket Bolt 1/2"-13 x 11/4"	CB400-17.60	8	42"

\* SwingAlign non-welded style "adjustable" frame bracket on roadside; welded style "fixed" frame bracket on curbside.

\*\* CL = Holland slider box rail style; CH = Hutch slider box rail style; CT = TTMA slider box rail style; CU = Utility slider box rail style.



Part Number	Item No.	Description	Model Number	Qty.	Slider
XB-HHC-001-33	1R	Hold Down Bracket Bolt 1/2"-13 x 11/4"	CB400-17.61	8	48"
XB-SLN-012-42	1S	Hold Down Bracket Lock Nut 1/2"-13	CB400-17.62	8	42"
XB-SLN-012-42	1S	Hold Down Bracket Lock Nut 1/2"-13	CB400-17.63	8	48"

\* *SwingAlign non-welded style "adjustable" frame bracket on roadside; welded style "fixed" frame bracket on curbside.*

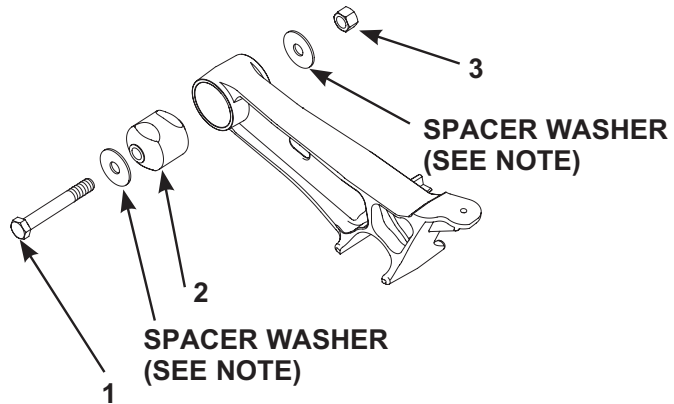
\*\* *CL = Holland slider box rail style; CH = Hutch slider box rail style; CT = TTMA slider box rail style; CU = Utility slider box rail style.*

## HOLLAND – CB400 SERVICE REPAIR KITS

Table 2-6: Holland – CB400 Service & Repair/Replacement Kits

Part Number	Item No.	Description	Qty.
-------------	----------	-------------	------

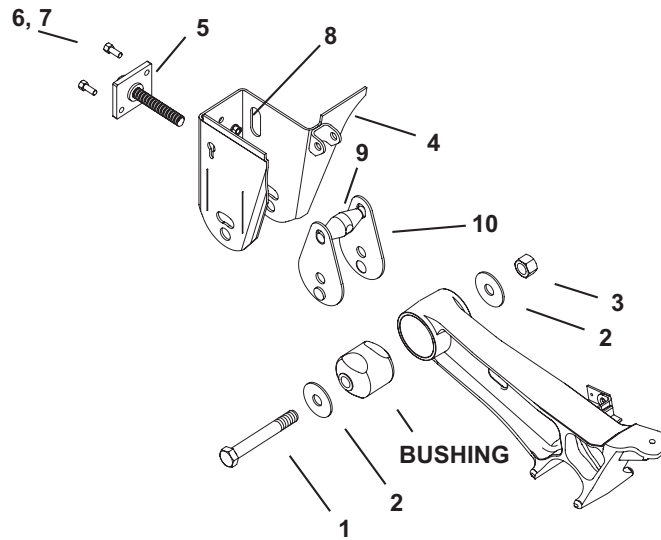
### PIVOT CONNECTION REPLACEMENT KIT - SRK- -530



93201070	1	Rod Bolt 11/8" - 7 x 8"	2
90008247	2	Rubber Bushing	2
93400506	3	Lock Nut 11/8" - 7	2

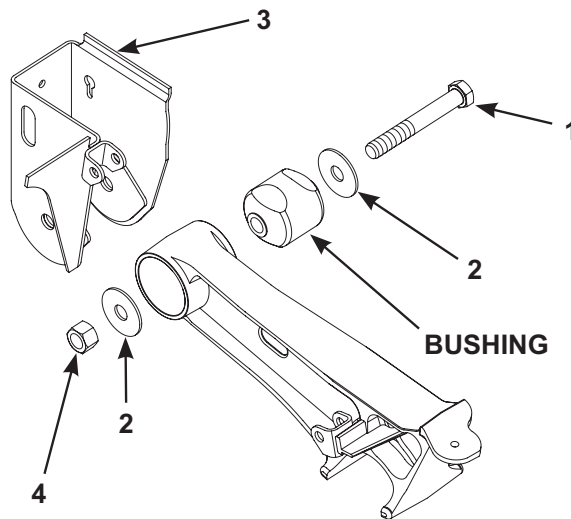
Part Number	Item No.	Description	Qty.
-------------	----------	-------------	------

**SWINGALIGN FRAME  
BRACKET REPLACEMENT KIT -  
SRK-531**



93201070	1	Rod Bolt 11/8" - 7 x 8"	2
93600553	2	Washer	2
93400506	3	Lock Nut 11/8" - 7	2
90521742	4	Frame Bracket, Roadside	1
90548007	5	Threaded Rod Assembly	1
93002903	6	Bolt, Hex 1/2" - 13 x 11/4"	2
93600072	7	Washer, Lock 1/2"	2
93400136	8	Nut, Hex 1/2" - 13	2
90045491	9	SwingAlign™ Yoke	1
90531339	10	Alignment Plate	2

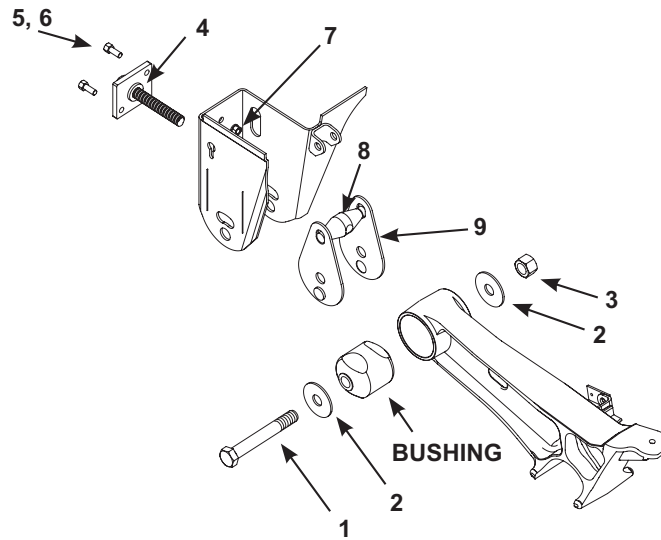
**FIXED FRAME BRACKET  
REPLACEMENT KIT -  
SRK-532**



93201070	1	Rod Bolt 11/8" - 7 x 8"	1
93600553	2	Washer	2
90521743	3	Frame Bracket, Curbside	1
93400506	4	Lock Nut 11/8" - 7	1

Part Number	Item No.	Description	Qty.
-------------	----------	-------------	------

**SWINGALIGN™ REPLACEMENT  
KIT - SRK-542**



93201070	1	Rod Bolt 11/8" - 7 x 8"	2
93600553	2	Washer	2
93400506	3	Lock Nut 11/8" - 7	2
90548007	4	Threaded Rod Assembly	1
93002903	5	Bolt, Hex 1/2" - 13 x 11/4"	2
93600072	6	Washer, Lock 1/2"	2
93400136	7	Nut, Hex 1/2" - 13	2
90045491	8	SwingAlign™ Yoke	1
90531339	9	Alignment Plate	2

# HOLLAND – RL250 STANDARD SUSPENSION COMPONENTS

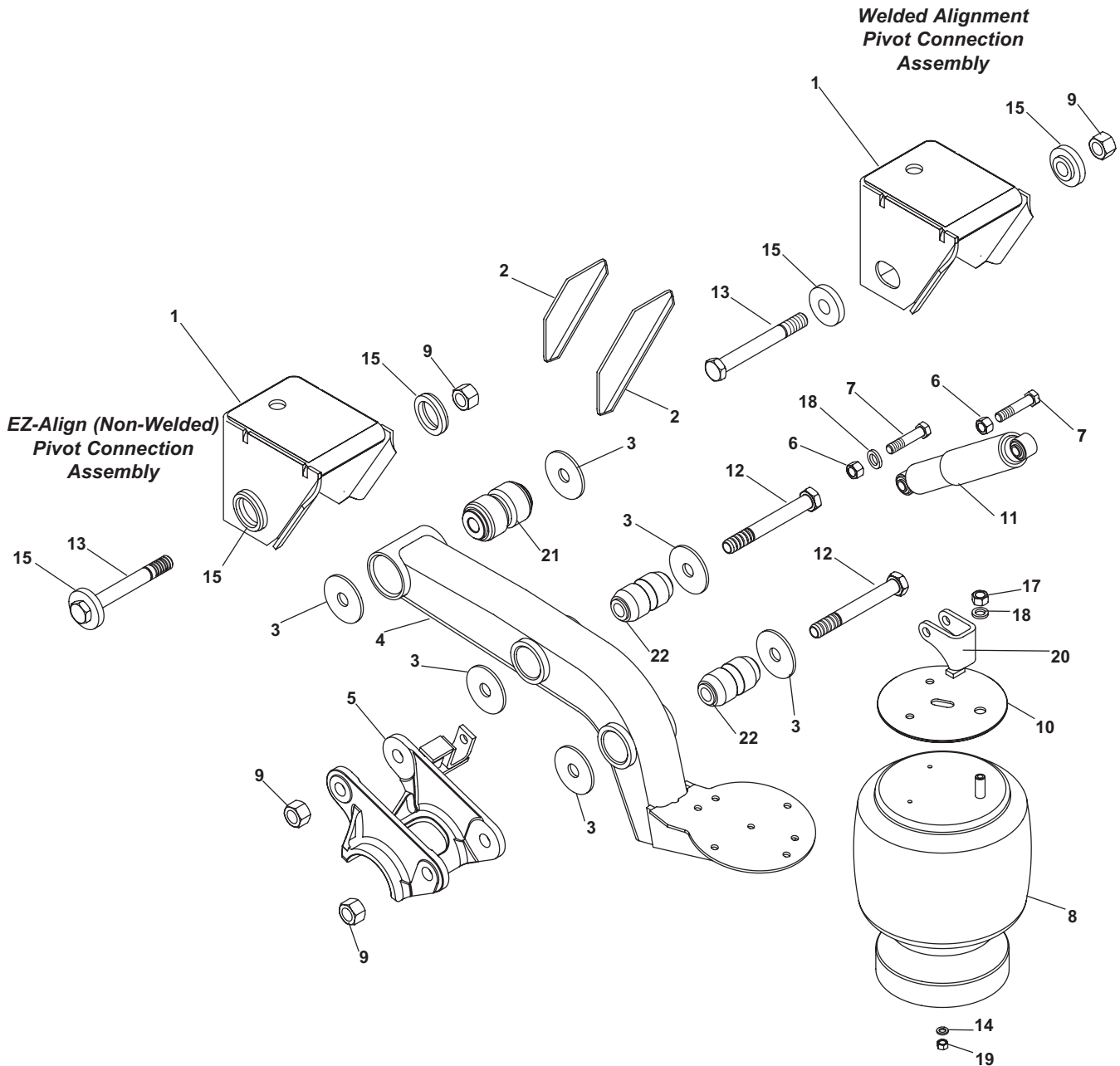


Table 2-7: Holland – RL250 Standard Suspension Components

Part Number	Item No.	Description	Model Number	Qty.
90521151	1	Frame Bracket (roadside - EZ-Align)	RL-250-14.0	1
90521151	1	Frame Bracket (curbside - EZ-Align)	RL-250-14.1	1
90521145	1	Frame Bracket (roadside - Welded Alignment)	RL-250-14.2	1
90521145	1	Frame Bracket (curbside - Welded Alignment)	RL-250-14.3	1
90023002	2	Angle Brace	RL-250-14.4	4
90036177	3	1-1/8" Spacer Washer	RL-250-14.5	12

\* Replacement components should be purchased in bushing connection SRK kits, see "Table 2-8: Holland – RL250 Pivot/Axle Connection Kits" on page 2-30.

Part Number	Item No.	Description	Model Number	Qty.
90516587	4	Equalizing Beam (roadside)	RL-250-14.6	1
90516588	4	Equalizing Beam (curbside)	RL-250-14.7	1
90501289	5	Axle Adapter (roadside)	RL-250-14.8	1
90501290	5	Axle Adapter (curbside)	RL-250-14.9	1
93400492	6	3/4"-10 Hex Nut (upper shock lock nut)	RL-250-14.10	2
93400367	6	3/4"-10 Square Nut (for lower shock bolt)	RL-250-14.11	2
93003597	7	3/4"-10x3 1/2" Bolt	RL-250-14.12	2
93003609	7	3/4"-10x4" Bolt (lower shock bolt)	RL-250-14.13	2
90557167	8	Air Spring	RL-250-14.14	2
93400506	9	1 1/8" Lock Nut	RL-250-14.15	6
90033785	10	Air Spring Mtg Plate	RL-250-14.16	2
90531262	10	Upper ASMP & shk Brkt (roadside)	RL-250-14.17	1
90531263	10	Upper ASMP & shk Brkt (curbside)	RL-250-14.18	1
90044642	11	Shock Absorber	RL-250-14.19	2
93201051	12	1-1/8" Bolt	RL-250-14.20	4
93201069	13	1-1/8" Pivot Bolt (Welded Alignment)	RL-250-14.21	2
90508019	13	1-1/8" Pivot Bolt (EZ-Align)	RL-250-14.22	2
93600072	14	1/2" Washer	RL-250-14.23	4
90008198	15	Alignment Block (Welded Alignment)	RL-250-14.24	2
90008238	15	Alignment Block (EZ-Align)	RL-250-14.25	2
93400149	17	3/4"-10 Hex Nut (top of air spring)	RL-250-14.26	2
93600077	18	3/4" Washer	RL-250-14.27	4
93400136	19	1/2"-13 Nut	RL-250-14.28	4
90018515	20	Upper Shock Bracket	RL-250-14.29	2
90008139	21*	Pivot Bushing	RL-250-14.30	2
90008149	22*	Axle Bushing	RL-250-14.31	4
90521151	1	Frame Bracket (roadside - EZ-Align)	RL-250-15.0	1
90521151	1	Frame Bracket (curbside - EZ-Align)	RL-250-15.1	1
90521145	1	Frame Bracket (roadside - Welded Alignment)	RL-250-15.2	1
90521145	1	Frame Bracket (curbside - Welded Alignment)	RL-250-15.3	1
90023002	2	Angle Brace	RL-250-15.4	4
90036177	3	1-1/8" Spacer Washer	RL-250-15.5	12
90516587	4	Equalizing Beam (roadside)	RL-250-15.6	1
90516588	4	Equalizing Beam (curbside)	RL-250-15.7	1
90501289	5	Axle Adapter (roadside)	RL-250-15.8	1
90501290	5	Axle Adapter (curbside)	RL-250-15.9	1
93400492	6	3/4"-10 Hex Nut (upper shock lock nut)	RL-250-15.10	2
93400367	6	3/4"-10 Square Nut (for lower shock bolt)	RL-250-15.11	2
93003597	7	3/4"-10x3 1/2" Bolt	RL-250-15.12	2
93003609	7	3/4"-10x4" Bolt (lower shock bolt)	RL-250-15.13	2
90557167	8	Air Spring	RL-250-15.14	2
93400506	9	1 1/8" Lock Nut	RL-250-15.15	6
90033785	10	Air Spring Mtg Plate	RL-250-15.16	2

\* Replacement components should be purchased in bushing connection SRK kits, see "Table 2-8: Holland – RL250 Pivot/Axle Connection Kits" on page 2-30.

Part Number	Item No.	Description	Model Number	Qty.
90531262	10	Upper ASMP & shk Brkt (roadside)	RL-250-15.17	1
90531263	10	Upper ASMP & shk Brkt (curbside)	RL-250-15.18	1
90044642	11	Shock Absorber	RL-250-15.19	2
93201051	12	1-1/8" Bolt	RL-250-15.20	4
93201069	13	1-1/8" Pivot Bolt (Welded Alignment)	RL-250-15.21	2
90508019	13	1-1/8" Pivot Bolt (EZ-Align)	RL-250-15.22	2
93600072	14	1/2" Washer	RL-250-15.23	4
90008198	15	Alignment Block (Welded Alignment)	RL-250-15.24	2
90008238	15	Alignment Block (EZ-Align)	RL-250-15.25	2
93400149	17	3/4"-10 Hex Nut (top of air spring)	RL-250-15.26	2
93600077	18	3/4" Washer	RL-250-15.27	4
93400136	19	1/2"-13 Nut	RL-250-15.28	4
90018515	20	Upper Shock Bracket	RL-250-15.29	2
90008139	21*	Pivot Bushing	RL-250-15.30	2
90008149	22*	Axle Bushing	RL-250-15.31	4
90521152	1	Frame Bracket (roadside - EZ-Align)	RL-250-16.0	1
90521152	1	Frame Bracket (curbside - EZ-Align)	RL-250-16.1	1
90521146	1	Frame Bracket (roadside - Welded Alignment)	RL-250-16.2	1
90521146	1	Frame Bracket (curbside - Welded Alignment)	RL-250-16.3	1
90023001	2	Angle Brace	RL-250-16.4	4
90036177	3	1-1/8" Spacer Washer	RL-250-16.5	12
90516587	4	Equalizing Beam (roadside)	RL-250-16.6	1
90516588	4	Equalizing Beam (curbside)	RL-250-16.7	1
90501289	5	Axle Adapter (roadside)	RL-250-16.8	1
90501290	5	Axle Adapter (curbside)	RL-250-16.9	1
93400492	6	3/4"-10 Hex Nut (upper shock lock nut)	RL-250-16.10	2
93400367	6	3/4"-10 Square Nut (for lower shock bolt)	RL-250-16.11	2
93003597	7	3/4"-10x3 1/2" Bolt	RL-250-16.12	2
93003609	7	3/4"-10x4" Bolt (lower shock bolt)	RL-250-16.13	2
90557168	8	Air Spring	RL-250-16.14	2
93400506	9	1 1/8" Lock Nut	RL-250-16.15	6
90033785	10	Air Spring Mtg Plate	RL-250-16.16	2
90531262	10	Upper ASMP & shk Brkt (roadside)	RL-250-16.17	1
90531263	10	Upper ASMP & shk Brkt (curbside)	RL-250-16.18	1
90044089	11	Shock Absorber	RL-250-16.19	2
93201051	12	1-1/8" Bolt	RL-250-16.20	4
93201069	13	1-1/8" Pivot Bolt (Welded Alignment)	RL-250-16.21	2
90508019	13	1-1/8" Pivot Bolt (EZ-Align)	RL-250-16.22	2
93600072	14	1/2" Washer	RL-250-16.23	4
90008198	15	Alignment Block (Welded Alignment)	RL-250-16.24	2
90008238	15	Alignment Block (EZ-Align)	RL-250-16.25	2
93400149	17	3/4"-10 Hex Nut (top of air spring)	RL-250-16.26	2
93600077	18	3/4" Washer	RL-250-16.27	4

\* Replacement components should be purchased in bushing connection SRK kits, see "Table 2-8: Holland – RL250 Pivot/Axle Connection Kits" on page 2-30.

Part Number	Item No.	Description	Model Number	Qty.
93400136	19	1/2"-13 Nut	RL-250-16.28	4
90018515	20	Upper Shock Bracket	RL-250-16.29	2
90008139	21*	Pivot Bushing	RL-250-16.30	2
90008149	22*	Axle Bushing	RL-250-16.31	4
90521152	1	Frame Bracket (roadside - EZ-Align)	RL-250-17.0	1
90521152	1	Frame Bracket (curbside - EZ-Align)	RL-250-17.1	1
90521146	1	Frame Bracket (roadside - Welded Alignment)	RL-250-17.2	1
90521146	1	Frame Bracket (curbside - Welded Alignment)	RL-250-17.3	1
90023001	2	Angle Brace	RL-250-17.4	4
90036177	3	1-1/8" Spacer Washer	RL-250-17.5	12
90516587	4	Equalizing Beam (roadside)	RL-250-17.6	1
90516588	4	Equalizing Beam (curbside)	RL-250-17.7	1
90501289	5	Axle Adapter (roadside)	RL-250-17.8	1
90501290	5	Axle Adapter (curbside)	RL-250-17.9	1
93400492	6	3/4"-10 Hex Nut (upper shock lock nut)	RL-250-17.10	2
93400367	6	3/4"-10 Square Nut (for lower shock bolt)	RL-250-17.11	2
93003597	7	3/4"-10x3 1/2" Bolt	RL-250-17.12	2
93003609	7	3/4"-10x4" Bolt (lower shock bolt)	RL-250-17.13	2
90557168	8	Air Spring	RL-250-17.14	2
93400506	9	1 1/8" Lock Nut	RL-250-17.15	6
90033785	10	Air Spring Mtg Plate	RL-250-17.16	2
90531262	10	Upper ASMP & shk Brkt (roadside)	RL-250-17.17	1
90531263	10	Upper ASMP & shk Brkt (curbside)	RL-250-17.18	1
90044089	11	Shock Absorber	RL-250-17.19	2
93201051	12	1-1/8" Bolt	RL-250-17.20	4
93201069	13	1-1/8" Pivot Bolt (Welded Alignment)	RL-250-17.21	2
90508019	13	1-1/8" Pivot Bolt (EZ-Align)	RL-250-17.22	2
93600072	14	1/2" Washer	RL-250-17.23	4
90008198	15	Alignment Block (Welded Alignment)	RL-250-17.24	2
90008238	15	Alignment Block (EZ-Align)	RL-250-17.25	2
93400149	17	3/4"-10 Hex Nut (top of air spring)	RL-250-17.26	2
93600077	18	3/4" Washer	RL-250-17.27	4
93400136	19	1/2"-13 Nut	RL-250-17.28	4
90018515	20	Upper Shock Bracket	RL-250-17.29	2
90008139	21*	Pivot Bushing	RL-250-17.30	2
90008149	22*	Axle Bushing	RL-250-17.31	4

\* Replacement components should be purchased in bushing connection SRK kits, see "Table 2-8: Holland – RL250 Pivot/Axle Connection Kits" on page 2-30.

# HOLLAND – RL250 PIVOT/AXLE CONNECTION KITS

Table 2-8: Holland – RL250 Pivot/Axle Connection Kits

Part Number	Description	SRK No.	Application
48100383	Pivot Connection Kit, 1 EZ-Align; SRK-519	519	1 Kit Required per Axle
48100386	Pivot Connection Kit, 2 EZ-Align; SRK-522	522	1 Kit Required per Axle
48100206	Axle Connection Kit; SRK-149	149	1 Kit Required per Axle

## HOLLAND – RL250 SHOCK BELOW FRAME SUSPENSION

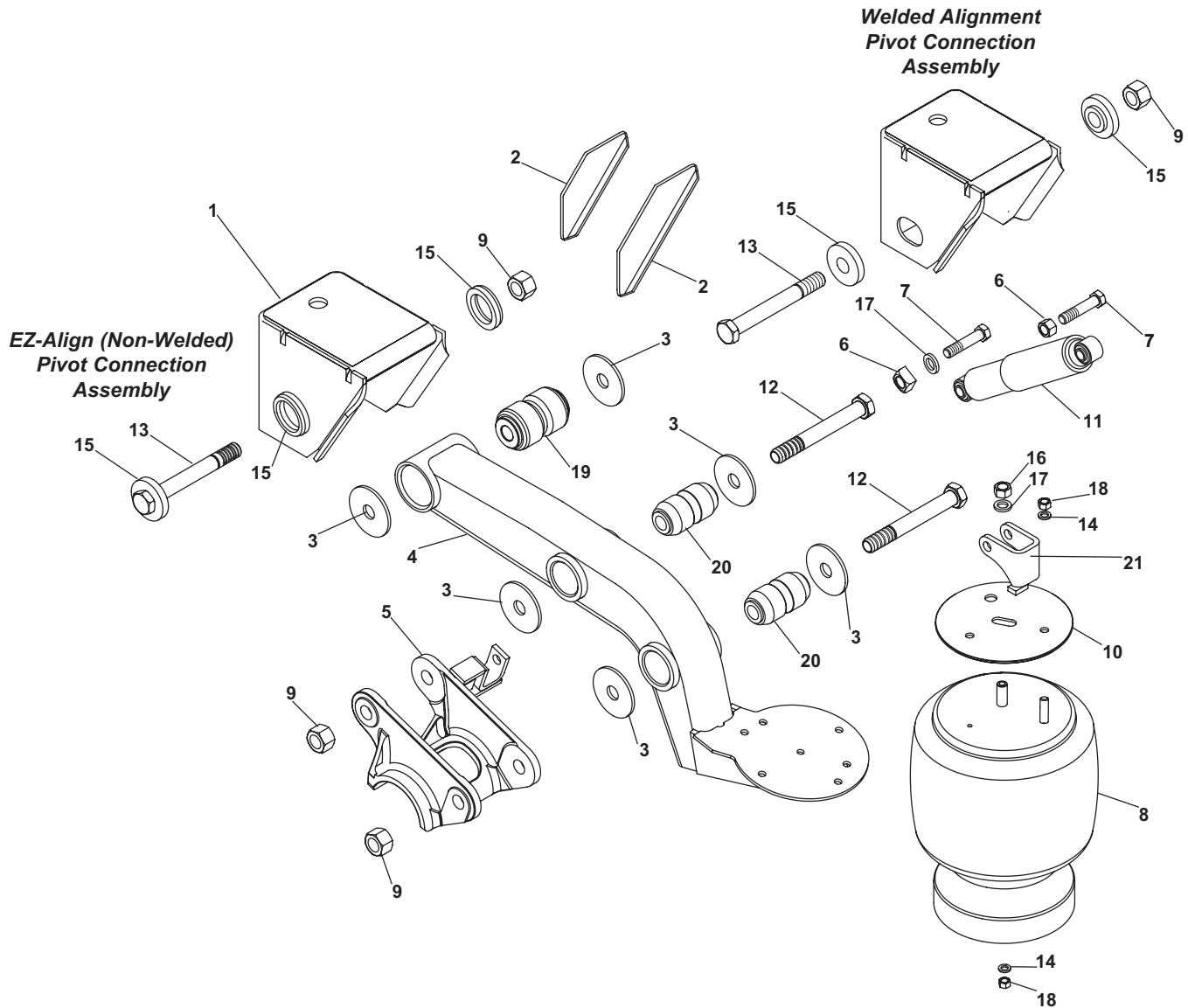




Table 2-9: Holland – RL250 Shock Below Frame Suspension

Part Number	Item No.	Description	Model Number	Qty.
90521150	1	Frame Bracket (roadside) EZ SBF	RL-250-14-3	1
90521150	1	Frame Bracket (curbside) EZ SBF	RL-250-14-4	1
90521144	1	Frame Bracket (curbside) WA SBF	RL-250-14-5	1
90023002	2	Angle Brace	RL-250-14-6	4
90036177	3	1-1/8" Spacer Washer	RL-250-14-7	12
90516587	4	Equalizing Beam (roadside)	RL-250-14-8	1
90516588	4	Equalizing Beam (curbside)	RL-250-14-9	1
90501289	5	Axle Adapter (roadside)	RL-250-14-10	1
90501290	5	Axle Adapter (curbside)	RL-250-14-11	1
93400492	6	3/4"-10 Hex Nut	RL-250-14-12	2
93400367	6	3/4"-10 Square Nut (for lower shock bolt)	RL-250-14-13	2
93003597	7	3/4"-10x3 1/2" Bolt	RL-250-14-14	2
93003609	7	3/4"-10x4" Bolt (lower shock bolt)	RL-250-14-15	2
90557167	8	Air Spring SBF	RL-250-14-16	2
93400506	9	1-1/8" Lock Nut	RL-250-14-17	6
90033785	10	Air Spring Mtg Plate	RL-250-14-18	2
90544830	10	Upper ASMP & shk Brkt RS SBF	RL-250-14-19	1
90544831	10	Upper ASMP & shk Brkt CS SBF	RL-250-14-20	1
90045040	11	Shock Absorber SBF	RL-250-14-21	2
93201051	12	1-1/8" Bolt	RL-250-14-22	4
93201069	13	1-1/8" Pivot Bolt (Welded Alignment)	RL-250-14-23	2
90508019	13	1-1/8" Pivot Bolt (EZ-Align)	RL-250-14-24	2
93600072	14	1/2" Washer	RL-250-14-25	4
90008198	15	Alignment Block (Welded Alignment)	RL-250-14-26	2
90008238	15	Alignment Block (EZ-Align)	RL-250-14-27	2
93400149	16	3/4"-10 Hex Nut (top of air spring)	RL-250-14-28	2
93600077	17	3/4" Washer	RL-250-14-29	4
93400136	18	1/2"-13 Nut	RL-250-14-30	2
90008139	19*	Pivot Bushing	RL-250-14-31	1
90008149	20*	Axle Bushing	RL-250-14-32	2
90018445	21	Upper Shock Bracket	RL-250-14-33	2
90038312	22	Tube 3"x3"x0.25"x12" (not shown)	RL-250-14-34	1
90521151	1	Frame Bracket (roadside) EZ SBF	RL-250-15-4	1
90521151	1	Frame Bracket (curbside) EZ SBF	RL-250-15-5	1
90521145	1	Frame Bracket (curbside) WA SBF	RL-250-15-6	1
90023002	2	Angle Brace	RL-250-15-7	4
90036177	3	1-1/8" Spacer Washer	RL-250-15-8	12
90516587	4	Equalizing Beam (roadside)	RL-250-15-9	1
90516588	4	Equalizing Beam (curbside)	RL-250-15-10	1
90501289	5	Axle Adapter (roadside)	RL-250-15-11	1
90501290	5	Axle Adapter (curbside)	RL-250-15-12	1
93400492	6	3/4"-10 Hex Nut	RL-250-15-13	2

\* Replacement components should be purchased in bushing connection SRK kits, see "Table 2-10: Holland – RL250 Shock Below Frame, Pivot/Axle Connection Kits" on page 2-34.

Part Number	Item No.	Description	Model Number	Qty.
93400367	6	3/4"-10 Square Nut (for lower shock bolt)	RL-250-15-14	2
93003597	7	3/4"-10x3 1/2" Bolt	RL-250-15-15	2
93003609	7	3/4"-10x4" Bolt (lower shock bolt)	RL-250-15-16	2
90557167	8	Air Spring SBF	RL-250-15-17	2
93400506	9	1-1/8" Lock Nut	RL-250-15-18	6
90033785	10	Air Spring Mtg Plate	RL-250-15-19	2
90544830	10	Upper ASMP & shk Brkt RS SBF	RL-250-15-20	1
90544831	10	Upper ASMP & shk Brkt CS SBF	RL-250-15-21	1
90045040	11	Shock Absorber SBF	RL-250-15-22	2
93201051	12	1-1/8" Bolt	RL-250-15-23	4
93201069	13	1-1/8" Pivot Bolt (Welded Alignment)	RL-250-15-24	2
90508019	13	1-1/8" Pivot Bolt (EZ-Align)	RL-250-15-25	2
93600072	14	1/2" Washer	RL-250-15-26	4
90008198	15	Alignment Block (Welded Alignment)	RL-250-15-27	2
90008238	15	Alignment Block (EZ-Align)	RL-250-15-28	2
93400149	16	3/4"-10 Hex Nut (top of air spring)	RL-250-15-29	2
93600077	17	3/4" Washer	RL-250-15-30	4
93400136	18	1/2"-13 Nut	RL-250-15-31	2
90008139	19*	Pivot Bushing	RL-250-15-32	1
90008149	20*	Axle Bushing	RL-250-15-33	2
90018445	21	Upper Shock Bracket	RL-250-15-34	2
90038312	22	Tube 3"x3"x0.25"x12" (not shown)	RL-250-15-35	1
90521152	1	Frame Bracket (roadside) EZ SBF	RL-250-16-4	1
90521152	1	Frame Bracket (curbside) EZ SBF	RL-250-16-5	1
90521146	1	Frame Bracket (curbside) WA SBF	RL-250-16-6	1
90023001	2	Angle Brace	RL-250-16-7	4
90036177	3	1-1/8" Spacer Washer	RL-250-16-8	12
90516587	4	Equalizing Beam (roadside)	RL-250-16-9	1
90516588	4	Equalizing Beam (curbside)	RL-250-16-10	1
90501289	5	Axle Adapter (roadside)	RL-250-16-11	1
90501290	5	Axle Adapter (curbside)	RL-250-16-12	1
93400492	6	3/4"-10 Hex Nut	RL-250-16-13	2
93400367	6	3/4"-10 Square Nut (for lower shock bolt)	RL-250-16-14	2
93003597	7	3/4"-10x3 1/2" Bolt	RL-250-16-15	2
93003609	7	3/4"-10x4" Bolt (lower shock bolt)	RL-250-16-16	2
90557167	8	Air Spring SBF	RL-250-16-17	2
93400506	9	1-1/8" Lock Nut	RL-250-16-18	6
90033785	10	Air Spring Mtg Plate	RL-250-16-19	2
90531331	10	Upper ASMP & shk Brkt RS SBF	RL-250-16-20	1
90531330	10	Upper ASMP & shk Brkt CS SBF	RL-250-16-21	1
90045299	11	Shock Absorber SBF	RL-250-16-22	2
93201051	12	1-1/8" Bolt	RL-250-16-23	4
93201069	13	1-1/8" Pivot Bolt (Welded Alignment)	RL-250-16-24	2

\* Replacement components should be purchased in bushing connection SRK kits, see "Table 2-10: Holland – RL250 Shock Below Frame, Pivot/Axle Connection Kits" on page 2-34.

Part Number	Item No.	Description	Model Number	Qty.
90508019	13	1-1/8" Pivot Bolt (EZ-Align)	RL-250-16-25	2
93600072	14	1/2" Washer	RL-250-16-26	4
90008198	15	Alignment Block (Welded Alignment)	RL-250-16-27	2
90008238	15	Alignment Block (EZ-Align)	RL-250-16-28	2
93400149	16	3/4"-10 Hex Nut (top of air spring)	RL-250-16-29	2
93600077	17	3/4" Washer	RL-250-16-30	4
93400136	18	1/2"-13 Nut	RL-250-16-31	2
90008139	19*	Pivot Bushing	RL-250-16-32	1
90008149	20*	Axle Bushing	RL-250-16-33	2
90018445	21	Upper Shock Bracket	RL-250-16-34	2
90038312	22	Tube 3"x3"x0.25"x12" (not shown)	RL-250-16-35	1
90521152	1	Frame Bracket (roadside) EZ SBF	RL-250-17-4	1
90521152	1	Frame Bracket (curb side) EZ SBF	RL-250-17-5	1
90521146	1	Frame Bracket (curb side) WA SBF	RL-250-17-6	1
90023001	2	Angle Brace	RL-250-17-7	4
90036177	3	1-1/8" Spacer Washer	RL-250-17-8	12
90516587	4	Equalizing Beam (roadside)	RL-250-17-9	1
90516588	4	Equalizing Beam (curb side)	RL-250-17-10	1
90501289	5	Axle Adapter (roadside)	RL-250-17-11	1
90501290	5	Axle Adapter (curb side)	RL-250-17-12	1
93400492	6	3/4"-10 Hex Nut	RL-250-17-13	2
93400367	6	3/4"-10 Square Nut (for lower shock bolt)	RL-250-17-14	2
93003597	7	3/4"-10x3 1/2" Bolt	RL-250-17-15	2
93003609	7	3/4"-10x4" Bolt (lower shock bolt)	RL-250-17-16	2
90557167	8	Air Spring SBF	RL-250-17-17	2
93400506	9	1-1/8" Lock Nut	RL-250-17-18	6
90033785	10	Air Spring Mtg Plate	RL-250-17-19	2
90531331	10	Upper ASMP & shk Brkt RS SBF	RL-250-17-20	1
90531330	10	Upper ASMP & shk Brkt CS SBF	RL-250-17-21	1
90045299	11	Shock Absorber SBF	RL-250-17-22	2
93201051	12	1-1/8" Bolt	RL-250-17-23	4
93201069	13	1-1/8" Pivot Bolt (Welded Alignment)	RL-250-17-24	2
90508019	13	1-1/8" Pivot Bolt (EZ-Align)	RL-250-17-25	2
93600072	14	1/2" Washer	RL-250-17-26	4
90008198	15	Alignment Block (Welded Alignment)	RL-250-17-27	2
90008238	15	Alignment Block (EZ-Align)	RL-250-17-28	2
93400149	16	3/4"-10 Hex Nut (top of air spring)	RL-250-17-29	2
93600077	17	3/4" Washer	RL-250-17-30	4
93400136	18	1/2"-13 Nut	RL-250-17-31	2
90008139	19*	Pivot Bushing	RL-250-17-32	1
90008149	20*	Axle Bushing	RL-250-17-33	2
90018445	21	Upper Shock Bracket	RL-250-17-34	2
90038312	22	Tube 3" x 3" x 0.25" x 12" (not shown)	RL-250-17-35	1

\* Replacement components should be purchased in bushing connection SRK kits, see "Table 2-10: Holland – RL250 Shock Below Frame, Pivot/Axle Connection Kits" on page 2-34.

## HOLLAND – RL250 SHOCK BELOW FRAME, PIVOT/AXLE CONNECTION KITS

Table 2-10: Holland – RL250 Shock Below Frame, Pivot/Axle Connection Kits

Part Number	Description	SRK No.	Application
48100383	Pivot Connection Kit, 1 EZ-Align; SRK-519	519	1 Kit Required per Axle
48200386	Pivot Connection Kit, 2 EZ-Align; SRK-522	522	1 Kit Required per Axle
48100206	Axle Connection Kit; SRK-149	149	1 Kit Required per Axle

## HOLLAND – RL PIVOT AND AXLE CONNECTION SERVICE REPAIR KITS

- When servicing your RL Series suspension, use the convenient service repair kits listed in this section.
- Verify the parts included in each kit, see the description column.
- Bushing connection kits and frame bracket replacement kits should be purchased as SRKs.

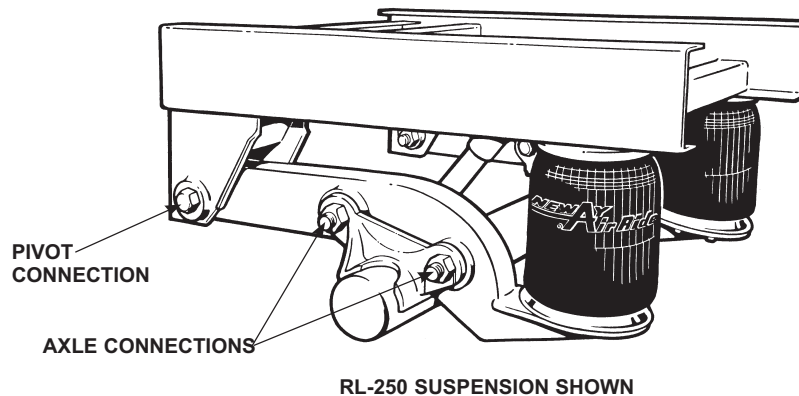


Table 2-11: Holland – RL Pivot and Axle Connection Service Repair Kits

Part Number	Description	SRK No.	Bolt Type
<b>MODEL 228 OR 230 PIVOT CONNECTION – EZ AND WELDED ALIGNMENTS</b>			
48100264	2 Welded Alignment; SRK-203	203	1055
48100384	1 EZ-Alignment / 1 Welded Alignment; SRK-520	520	1055
48100385	2 EZ-Alignment; SRK-521	521	
48100389	1 EZ-Alignment / 1 Welded Alignment; SRK-525	525	1069
48100319	2 Welded Alignment; SRK-456	456	1069
<b>MODEL 228 OR 230 AXLE CONNECTION – 2-PIECE ADAPTER</b>			
48100328	2-Piece Adapter; SRK-256	256	1051
48100206	1-Piece Adapter; SRK-149	149	1051
<b>MODEL 250 PIVOT CONNECTION – EZ AND WELDED ALIGNMENTS</b>			
48100388	2 Welded Alignment; SRK-524	524	1069
48100383	1 EZ-Alignment / 1 Welded Alignment; SRK-519	519	1069
48100386	2 EZ-Alignment; SRK-522	522	

Part Number	Description	SRK No.	Bolt Type
48100387	1 EZ-Alignment / 1 Welded Alignment; SRK-523	523	1055

### MODEL 250 AXLE CONNECTION – 1- AND 2-PIECE ADAPTERS

48100206	1-Piece Adapter; SRK-149	149	1051
48100328	2-Piece Adapter; SRK-256	256	1051

### MODEL 300 PIVOT CONNECTION – WELDED ALIGNMENTS

48100388	2 Welded Alignment; SRK-524	524	1069
----------	-----------------------------	-----	------

### MODEL 300 AXLE CONNECTION – 1-PIECE ADAPTER

48100206	1-Piece Adapter; SRK-149	149	1051
----------	--------------------------	-----	------

## HOLLAND – RL PIVOT & AXLE CONNECTION REPLACEMENT KITS

- IMPORTANT: Welded Alignment frame brackets must be replaced with EZ-Align (non-welded) frame brackets.

Table 2-12: Holland – RL Pivot & Axle Connection Replacement Kits

Part Number	Description	Qty.
-------------	-------------	------

### SRK-149 - AXLE: 481 00 206

93201051	Bolt Hex 1.125"-7 x 8.5" GR 8	4
93400506	Nut Hex Lock 1.125"-7 GR C	4
90008149	Bushing	4
90036175	Washer Spacer	8
90036177	Washer Flat 1.141"	8
94100509	Literature Instruction	1

### SRK-203 - PIVOT: 481 00 264

93201055	Bolt Hex 1.125"-7 x 9.5" GR 8	2
93400506	Nut Hex Lock 1.125"-7 GR C	2
90008149	Bushing	2
90036177	Washer Flat 1.141"	4

### SRK-265 - AXLE: 481 00 328

93201051	Bolt Hex 1.125"-7 x 8.5" GR 8	4
93400506	Nut Hex Lock 1.125"-7 GR C	4
90008149	Bushing	4
90036217	Washer	8

Part Number	Description	Qty.
<b>SRK-456 - PIVOT: 481 00 319</b>		
93201069	Bolt Hex 1.12"-7 x 8.5" GR 8	2
93400506	Nut Hex Lock 1.125"-7 GR C	2
90008149	Bushing	2
90036177	Washer Flat 1.141"	4
90008198	Alignment Bushing	2
XL-AR354-01	Welded Axle Alignment Ins; EZ-Align Axle Alignment Ins.	1
XL-AR355-02	Decal, Torque Specification	1

**SRK-519 - PIVOT: 481 00 383**

93201069	Bolt Hex 1.12"-7 x 8.5" GR 8	1
93400506	Nut Hex Lock 1.125"-7 GR C	2
90008139	Bushing	2
90036177	Washer Flat 1.141"	4
90508019	Alignment Block	1
90008238	Alignment Block Non Weld	1
XL-AR354-01	Welded Axle Alignment Ins; EZ-Align Axle Alignment Ins.	1
XL-AR355-02	Decal, Torque Specification	1

**SRK-520 - PIVOT: 481 00 384**

93201055	Bolt Hex 1.125"-7 x 9.5" GR 8	1
93400506	Nut Hex Lock 1.125"-7 GR C	2
90008149	Bushing	2
90036177	Washer Flat 1.141"	4
90508019	Alignment Block	1
90008238	Alignment Block Non Weld	1
XL-AR354-01	Welded Axle Alignment Ins; EZ-Align Axle Alignment Ins.	1
XL-AR355-02	Decal, Torque Specification	1

**SRK-521 - PIVOT: 481 00 385**

90008139	Bushing	2
90036177	Washer Flat 1.141"	4
90508019	Alignment Block	2
90008238	Alignment Block Non Weld	2
93400506	Nut Hex Lock 1.125"-7 GR C	2
XL-AR354-01	Welded Axle Alignment Ins; EZ-Align Axle Alignment Ins.	1
XL-AR355-02	Decal, Torque Specification	1

**SRK-522 - PIVOT: 481 00 386**

90008139	Bushing	2
90036177	Washer Flat 1.141"	4
90508019	Alignment Block	2
90008238	Alignment Block Non Weld	2
93400506	Nut Hex Lock 1.125"-7 GR C	2
XL-AR354-01	Welded Axle Alignment Ins; EZ-Align Axle Alignment Ins.	1

Part Number	Description	Qty.
XL-AR355-02	Decal, Torque Specification	1

**SRK-523 - PIVOT: 481 00 387**

90008139	Bushing	2
90036177	Washer Flat 1.141"	4
90508019	Alignment Block	1
90008238	Alignment Block Non Weld	1
93400506	Nut Hex Lock 1.125"-7 GR C	2
93201055	Bolt Hex 1.125"-7 x 9.5" GR 8	1
XL-AR354-01	Welded Axle Alignment Ins; EZ-Align Axle Alignment Ins.	1
XL-AR355-02	Decal, Torque Specification	1

**SRK-524 - PIVOT: 481 00 388**

90008139	Bushing	2
90036177	Washer Flat 1.141"	4
93201069	Bolt Hex 1.12"-7 x 8.5" GR 8	2
93400506	Nut Hex Lock 1.125"-7 GR C	2
XL-AR354-01	Welded Axle Alignment Ins; EZ-Align Axle Alignment Ins.	1
XL-AR355-02	Decal, Torque Specification	1

**IMPORTANT:** Welded Alignment frame brackets must be replaced with EZ-Align (non-welded) frame brackets.

**HOLLAND – RL FRAME BRACKET REPLACEMENT KITS**

- **IMPORTANT:** Welded Alignment frame brackets must be replaced with EZ-Align (non-welded) frame brackets.

Table 2-13: Holland – RL Frame Bracket Replacement Kits

Part Number	Description	Qty.
-------------	-------------	------

**RL-250-14, -15; SRK-553; 481 00 417**

90521151	Frame Bracket Assy EZ-Align	1
90508019	Alignment Block Assy	1
93400506	Nut Hex 1.125"-7	1
90036177	Washer	2
90008238	Alignment Block	1
90023002	Angle Brace	2

**RL-250-16, -17, SRK-554, 481 00 418**

90521152	Frame Bracket Assy EZ-Align	1
90508019	Alignment Block Assy	1
93400506	Nut Hex 1.125"-7	1
90036177	Washer	2
90008238	Alignment Block	1
90023001	Angle Brace	2

**IMPORTANT:** Welded Alignment frame brackets must be replaced with EZ-Align (non-welded) frame brackets.

Part Number	Description	Qty.
<b>RL-300-12, -13;SRK-555; 481 00 419</b>		
90520383	Frame Bracket Assy Welded Alignment	1
90008147	Alignment Block	2
93400506	Nut Hex 1.125"-7	1
90036177	Washer	2
90025157	Angle Brace	2
93201069	Pivot Bolt 1.125"-7	1

**RL-300-14; SRK-556; 481 00 420**

90521144	Frame Bracket Assy Welded Alignment	1
90008198	Alignment Block	2
93400506	Nut Hex 1.125"-7	1
90036177	Washer	2
90023002	Angle Brace	2
93201069	Pivot Bolt 1.125"-7	1

**RL-300-15,SRK-557; 481 00 421**

90521145	Frame Bracket Assy Welded Alignment	1
90008198	Alignment Block	2
93400506	Nut Hex 1.125"-7	1
90036177	Washer	2
90023002	Angle Brace	2
93201069	Pivot Bolt 1.125"-7	1

**RL-300-16, -17; SRK-558; 481 00 422**

90521146	Frame Bracket Assy EZ-Align Welded Alignment	1
90508198	Alignment Block	2
93400506	Nut Hex 1.125"-7	1
90036177	Washer	2
90023001	Angle Brace	2
93201069	Pivot Bolt 1.125"-7	1

**IMPORTANT:** Welded Alignment frame brackets must be replaced with EZ-Align (non-welded) frame brackets.



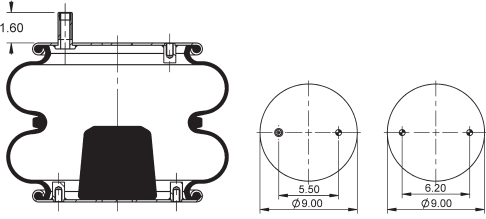
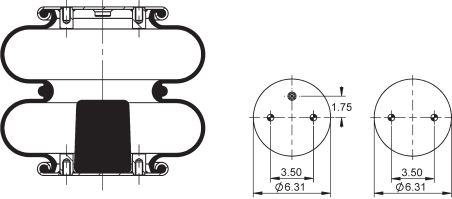
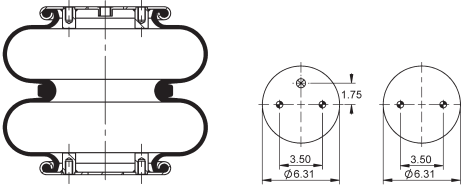
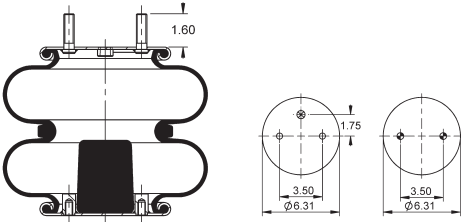
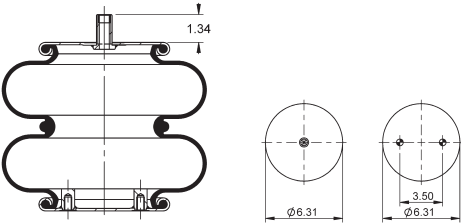
# AIR SUSPENSION

## TRP® AIR SPRINGS

Table 2-14: Air Springs – TRP

Product	Part Number	Description	Bellow Identification
	AS95800	Air Spring	10 10-21
	AS90390	Air Spring, Fab Tek	9 10-10
	AS74100	Air Spring, Freightliner	FD 330-22
	AS93940	Air Spring, Fruehauf	9 10-19

See "Air Spring Cross Reference" on page 2-78 for TRP® Air Spring cross reference.

Product	Part Number	Description	Bellows Identification
	AS74030	Air Spring, Granning	FD 330-22
	AS69020	Air Spring, Granning, Hendrickson	FD 200-19
	AS69100	Air Spring, Granning, Hendrickson	FD 200-19
	AS69050	Air Spring, Hendrickson	FD 200-19
	AS77950	Air Spring, Hendrickson Auxiliary	FD 200-19

See "Air Spring Cross Reference" on page 2-78 for TRP® Air Spring cross reference.

Product	Part Number	Description	Bellows Identification
	AS80500	Air Spring, Hendrickson Auxiliary	11 10.5C-16
	AS71350	Air Spring, Hendrickson Canada	FD 530-22
	AS80910	Air Spring, Hendrickson Trailer	11 10.5A-16
	AS87080	Air Spring, Hendrickson Trailer	10 10-16
	AS87090	Air Spring, Hendrickson Trailer	10 10.5-15

See "Air Spring Cross Reference" on page 2-78 for TRP® Air Spring cross reference.

Product	Part Number	Description	Bellows Identification
	AS87130	Air Spring, Hendrickson Trailer	10 10-16
	AS87550	Air Spring, Hendrickson Trailer	10 10-15
	AS89440	Air Spring, Hendrickson Trailer	9 10-17.5
	AS96400	Air Spring, Hendrickson Trailer	9 10-12
	AS82040	Air Spring, Neway	9 10-12

See "Air Spring Cross Reference" on page 2-78 for TRP® Air Spring cross reference.

Product	Part Number	Description	Bellows Identification
	AS91210	Air Spring, Neway	11 10.5-17
	AS92430	Air Spring, Neway	9 10-19
	AS92930	Air Spring, Neway	9 9K-15
	AS92950	Air Spring, Neway	9 9K-15
	AS93070	Air Spring, Neway	9 10-10

See "Air Spring Cross Reference" on page 2-78 for TRP® Air Spring cross reference.

Product	Part Number	Description	Bellows Identification
	AS99210	Air Spring, Neway	9 10-17.5
	AS99350	Air Spring, Neway	9 10-17.5
	AS93700	Air Spring, Watson and Chalin	9 10-21

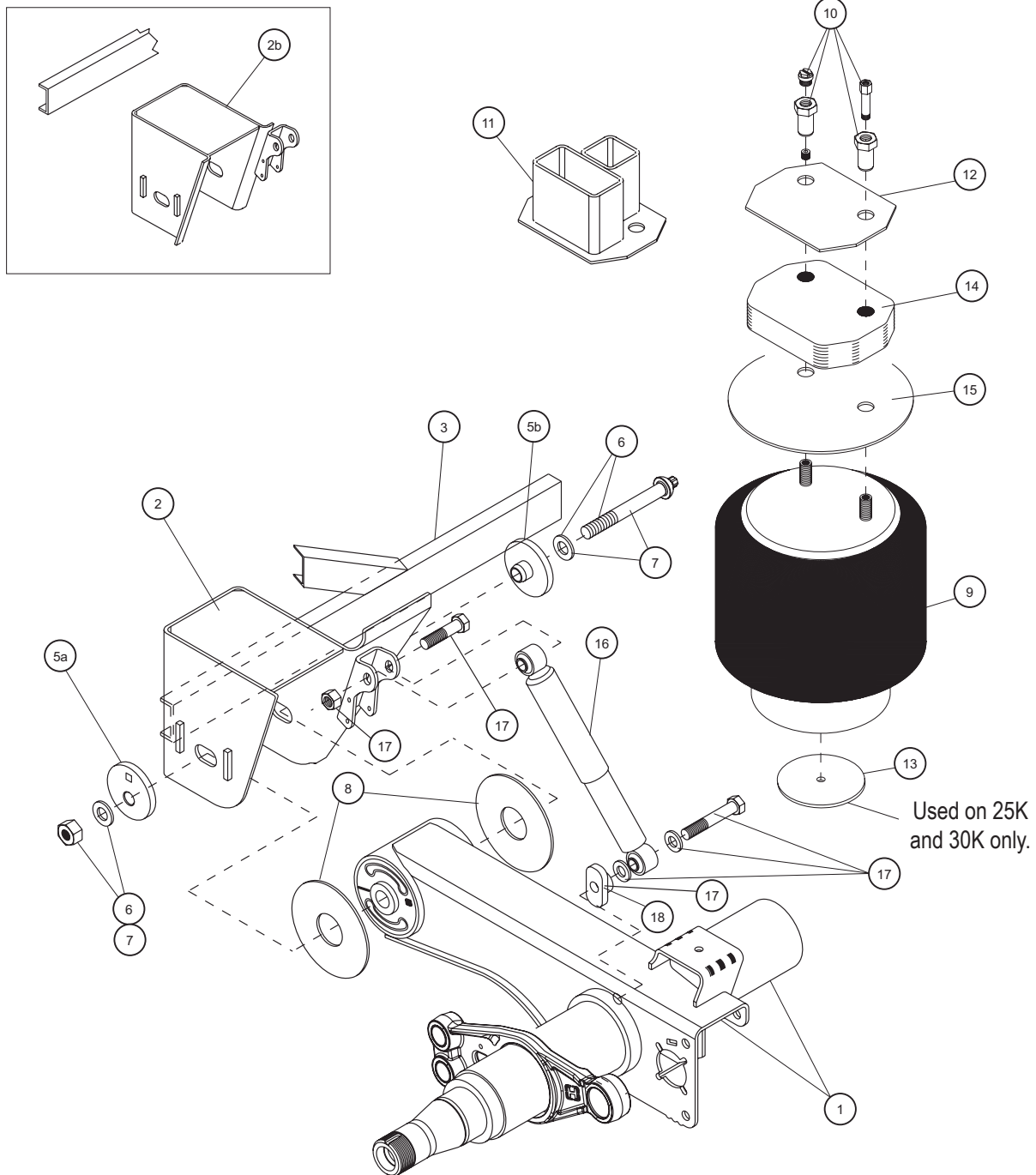
See "Air Spring Cross Reference" on page 2-78 for TRP® Air Spring cross reference.

**NOTES**

A large rectangular area filled with a light blue grid pattern, intended for handwritten notes. The grid consists of small squares and covers most of the page's central area.

# HENDRICKSON SUSPENSION\*\*

## HENDRICKSON - INTRAAX® AAT - 23K, 25K, 30K



\*\* Information provided by Hendrickson.



Table 2-15: Hendrickson INTRAAX® AAT – 23K, 25K, 30K

Part Number	Item No.	Description	Quantity Per Axle	Note
S-21028-1	2a	8" Frame Bracket, Winged, weld-on, standard top plate, Roadside	1	13.5", 14" and 15" ride heights
S-21028-2	2a	8" Frame Bracket, Winged, weld-on, standard top plate, Curbside	1	13.5", 14" and 15" ride heights
S-21028-3	2a	8" Frame Bracket, Winged, weld-on, weld-on top plate, Roadside	1	13.5", 14" and 15" ride heights
S-21028-4	2a	8" Frame Bracket, Winged, weld-on, weld-on top plate, Curbside	1	13.5", 14" and 15" ride heights
S-21626-1	2a	8" Frame Bracket, Winged, weld-on, high control, Roadside	1	13.5", 14" and 15" ride heights
S-21626-2	2a	8" Frame Bracket, Winged, weld-on, high control, Curbside	1	13.5", 14" and 15" ride heights
S-21082-1	2a	10" Frame Bracket, Winged, weld-on, standard top plate, Roadside	1	16" and 17" ride heights
S-21082-2	2a	10" Frame Bracket, Winged, weld-on, standard top plate, Curbside	1	16" and 17" ride heights
S-21082-3	2a	10" Frame Bracket, Winged, weld-on, weld-on top plate, Roadside	1	16" and 17" ride heights
S-21082-4	2a	10" Frame Bracket, Winged, weld-on, weld-on top plate, Curbside	1	16" and 17" ride heights
S-22872-1	2a	12" Frame Bracket, Winged, weld-on, high control, Roadside	1	16" and 17" ride heights
S-22872-2	2a	12" Frame Bracket, Winged, weld-on, high control, Curbside	1	16" and 17" ride heights
S-21083-1	2a	12" Frame Bracket, Winged, weld-on, standard top plate, Roadside	1	18" and 19" ride heights
S-21083-2	2a	12" Frame Bracket, Winged, weld-on, standard top plate, Curbside	1	18" and 19" ride heights
S-21905-1	2b	8" Frame Bracket, Wingless, weld-on, Roadside	1	13.5", 14" and 15" ride heights
S-21905-2	2b	8" Frame Bracket, Wingless, weld-on, Curbside	1	13.5", 14" and 15" ride heights
S-23000-1	2b	8" Frame Bracket, Wingless, weld-on w/ extended frame bracket, or high control, Roadside	1	13.5", 14" and 15" ride heights
S-23000-2	2b	8" Frame Bracket, Wingless, weld-on w/ extended frame bracket, or high control, Curbside	1	13.5", 14" and 15" ride heights
S-21906-1	2b	10" Frame Bracket, Weld-on, wingless, Roadside	1	16" and 17" ride heights
S-21906-2	2b	10" Frame Bracket, Weld-on, wingless, Curbside	1	16" and 17" ride heights
S-24851-1	2b	10" Frame Bracket, Weld-on, wingless w/ high control, Roadside	1	16" and 17" ride heights
S-24851-2	2b	10" Frame Bracket, Weld-on, wingless w/ high control, Curbside	1	16" and 17" ride heights
S-22770-1	2b	12" Frame Bracket, Wingless, weld-on, Roadside	1	18" and 19" ride heights
S-22770-2	2b	12" Frame Bracket, Wingless, weld-on, Curbside	1	18" and 19" ride heights
S-28135-1	2c	11" Frame Bracket, Winged, bolt-on 1/2" bolt diameter, Roadside	1	12" ride height
S-28135-2	2c	11" Frame Bracket, Winged, bolt-on 1/2" bolt diameter, Curbside	1	12" ride height
S-21084-1	2c	8" Frame Bracket, Winged, bolt-on, 1/2" bolt diameter, Roadside	1	13.5", 14" and 15" ride heights
S-21084-2	2c	8" Frame Bracket, Winged, bolt-on, 1/2" bolt diameter, Curbside	1	13.5", 14" and 15" ride heights
S-21085-1	2c	10" Frame Bracket, Winged, bolt-on, 1/2" bolt diameter, Roadside	1	16" and 17" ride heights
S-21085-2	2c	10" Frame Bracket, Winged, bolt-on, 1/2" bolt diameter, Curbside	1	16" and 17" ride heights
D-21086-1	2c	12" Frame Bracket, Winged, bolt-on, 1/2" bolt diameter, Roadside	1	18" and 19" ride heights
D-21086-2	2c	12" Frame Bracket, Winged, bolt-on, 1/2" bolt diameter, Curbside	1	18" and 19" ride heights
S-22776-1	2c	10" Frame Bracket, Winged, bolt-on, 1/2" bolt diameter w/ high control, Roadside	1	13.5", 14" and 15" ride heights
S-22776-2	2c	10" Frame Bracket, Winged, bolt-on, 1/2" bolt diameter w/ high control, Curbside	1	13.5", 14" and 15" ride heights
D-23840-1	2c	12" Frame Bracket, Winged, bolt-on, 1/2" Frame Bracket, bolt diameter w/ high control, Roadside	1	16" and 17" ride heights
D-23840-2	2c	12" Winged, bolt-on, 1/2" bolt diameter w/ high control, Curbside	1	16" and 17" ride heights
S-21628-1	2d	8" Winged, bolt-on, 5/8" bolt diameter, Roadside	1	13.5", 14" and 15" ride heights
S-21628-2	2d	8" Winged, bolt-on, 5/8" bolt diameter, Curbside	1	13.5", 14" and 15" ride heights
S-21629-1	2d	10" Winged, bolt-on, 5/8" bolt diameter, Roadside	1	16" and 17" ride heights

Part Number	Item No.	Description	Quantity Per Axle	Note
S-21629-2	2d	10" Winged, bolt-on, 5/8" bolt diameter, Curbside	1	16" and 17" ride heights
D-24535-1	2d	12" Winged, bolt-on, 5/8" bolt diameter, , Roadside	1	18" and 19" ride heights
D-24535-2	2d	12" Winged, bolt-on, 5/8" bolt diameter, Curbside	1	18" and 19" ride heights
S-26978-1L	2d	10" Winged, bolt-on 5/8" bolt diameter w/ high control, Roadside	1	13.5", 14" and 15" ride heights
S-26978-1R	2d	10" Winged, bolt-on 5/8" bolt diameter w/ high control, Curbside	1	13.5", 14" and 15" ride heights
S-26978-2L	2d	12" Winged, bolt-on, 5/8" bolt diameter w/ high control, Roadside	1	16" and 17" ride heights
S-26978-2R	2d	12" Winged, bolt-on, 5/8" bolt diameter w/ high control, Curbside	1	16" and 17" ride heights
A-1631-19	3	Frame Brack Channel Axle track of 71.5" to 77.5"	1	13.5" to 19" ride heights
A-1621-35	3	Frame Brack Channel Axle track of 83.5" to 85"	1	13.5" to 19" ride heights
S-27330	4	Frame Bracket Gusset	2	13.5" to 19" ride heights
S-20925	5a	Eccentric alignment collar (outer)	2	Pivot hole is offset from the center of collar
S-20924	5a	Concentric alignment collar (inner)	2	Pivot hole is in center of collar
S-24679	6a	Pivot bolt kit	2	Includes 10" shear-type bolt, nut and washers
S-26369	6b	Pivot bolt kit w/bushing tube spacers	2	Includes 10" shear-type bolt, nut and washers
S-24680	6c	Pivot bolt kit w/alignment collars	2	Includes 10" shear-type bolt, nut and washers
S-24691	7a	Standard QUIK-ALIGN Pivot Bushing Kit	2	Includes bushing, pivot bolt kit, bushing tube spacers and lube
S-28654	7b	Pivot bushing kit w/alignment collars	2	Includes bushing, pivot bolt kit, bushing tube spacers and lube
S-21099	8	Standard Bushing Tube Spacer	4	(4) required per axle
S-21800	9	AAT 23K model Air Spring	2	13.5" to 19" ride heights
S-26773	9	AAT 23K model Air Spring	2	12" - 13" ride height
S-21784	9	AAT 25K model Air Spring	2	13.5" to 19" ride heights
S-27341	9	AAT 30K model Air Spring	2	
S-4903/2	10	12" ride height Air Spring Mounting Kit	2	One per air spring; Includes air fittings, hex flange nuts, plugs and extension nuts
S-22619/2	10	13.5", 14", 18" and 19" ride heights Air Spring Mounting Kit	2	One per air spring; Includes air fittings, hex flange nuts, plugs and extension nuts
S-22630/2	10	15" ride height Air Spring Mounting Kit	2	One per air spring; Includes air fittings, hex flange nuts, plugs and extension nuts
S-22631/2	10	16" ride height Air Spring Mounting Kit	2	
S-22632/2	10	17" ride height Air Spring Mounting Kit	2	
C-22302-2	11a	Air Spring Spacer Assembly, 11a AAT 23K and 25K models, Steel, weld-on, 15/16" Thick spacer assembly	2	Typically 15" ride height
C-22302-3	11a	Air Spring Spacer Assembly, 11a AAT 23K and 25K models, Steel, weld-on, 21/16" Thick spacer assembly	2	Typically 16" ride height
C-22302-4	11a	Air Spring Spacer Assembly, 11a AAT 23K and 25K models, Steel, weld-on, 35/16" Thick spacer assembly	2	Typically 17" ride height
C-22302-5	11a	Air Spring Spacer Assembly, 11a AAT 23K and 25K models, Steel, weld-on, 41/16" Thick spacer assembly	2	Typically 18" ride height
C-22302-6	1aa	Air Spring Spacer Assembly, 11a AAT 23K and 25K models, Steel, weld-on, 55/16" Thick spacer assembly	2	Typically 19" ride height

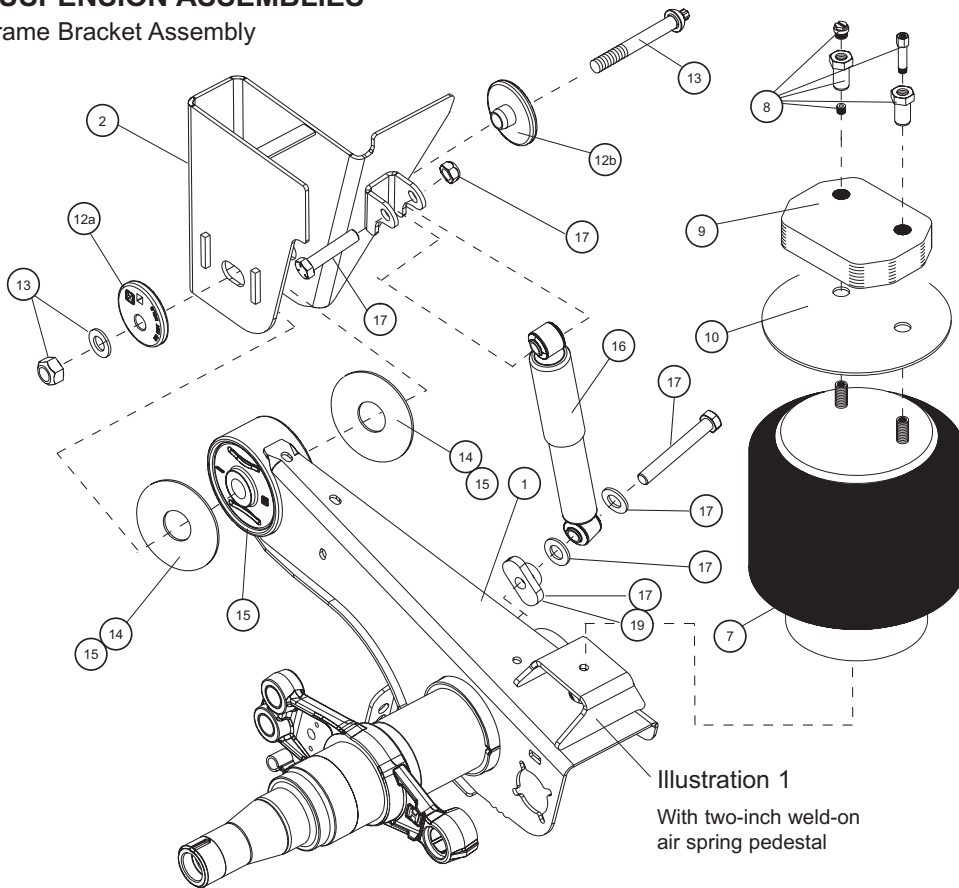
Part Number	Item No.	Description	Quantity Per Axle	Note
D-27049-9	11	Air Spring Spacer Assembly, 11b AAT 30K models, Steel, weld-on, 15/16" Thick spacer assembly	2	Typically 15" ride height
D-27049-10	11b	Air Spring Spacer Assembly, 11b AAT 30K models, Steel, weld-on, 21/16" Thick spacer assembly	2	Typically 16" ride height
D-27049-8	11b	Air Spring Spacer Assembly, 11b AAT 30K models, Steel, weld-on, 35/16" Thick spacer assembly	2	Typically 17" ride height
D-27049-10	11b	Air Spring Spacer Assembly, 11b AAT 30K models, Steel, weld-on, 41/16" Thick spacer assembly	2	Typically 18" ride height
D-27049-2	11b	Air Spring Spacer Assembly, 11b AAT 30K models, Steel, weld-on, 55/16" Thick spacer assembly	2	Typically 19" ride height
S-20905	12a	Weld-on Air Spring Mounting Plate	2	13.5" to 19" ride height
S-23294	12a	Weld-on Air Spring Mounting Plate	2	Used on AAT 30K with 13.5" and 14" ride height
B-21145	12b	12b Bolt-on Air Spring Mounting Plate	2	Distance from outboard side of spacer to center of first trailer frame mounting bolt hole is 1.5"; 13" to 17" ride heights; STD and LR
B-22390	12b	12b Bolt-on Air Spring Mounting Plate	2	Distance from outboard side of spacer to center of first trailer frame mounting bolt hole is 2 1/4"; 13" to 17" ride heights; STD and LR
B-21715	12b	12b Bolt-on Air Spring Mounting Plate	2	Distance from outboard side of spacer to center of first trailer frame mounting bolt hole is 13/4"; 13" to 17" ride heights; STD and LR
B-27264	12b	12b Bolt-on Air Spring Mounting Plate	2	13.5" to 19" ride height; STD and LR
C-20192	12b	12b Bolt-on Air Spring Mounting Plate	2	12" Ride height
S-21786	13	Air Spring Bottom Disk		
B-22510-1	14	Plastic, 11/8" Thick Air Spring Spacer	2	15" ride height
B-22510-2	14	Plastic, 17/8" Thick Air Spring Spacer	2	16" ride height
B-22510-3	14	Plastic, 31/8" Thick Air Spring Spacer	2	17" ride height
B-23294	15	Weld On Air Spring Flex Plate		
B-24813	15	Bolt On Air Spring Flex Plate		Bolt-on for 14", 15", 16" and 17"
B-24812	15	Pattern Bolt On Air Spring Flex Plate		Patterned Bolt-on for 14", 15", 16", and 17"
S-23566	16	Standard duty Shock Absorber	2	For use on 23K and 25K models
S-23361	16	Limited rebound Shock Absorber	2	For use on 23K and 25K models
S-24023	16	Extended service with high dampening Shock Absorber	2	For use on all 30K models some 23K and 25K models
S-20896/2	17	23K and 25K models Shock Absorber Bolt Kit	2	
S-24021	17	23K and 25K models Shock Absorber Bolt Kit	2	
S-24021	17	30K front mounted shock Shock Absorber Bolt Kit	2	
S-20031/2	17	30K rear mounted shock Shock Absorber Bolt Kit	2	
S-27196	18	Shock Spacer	2	

# HENDRICKSON – INTRAAX® AANT 23K

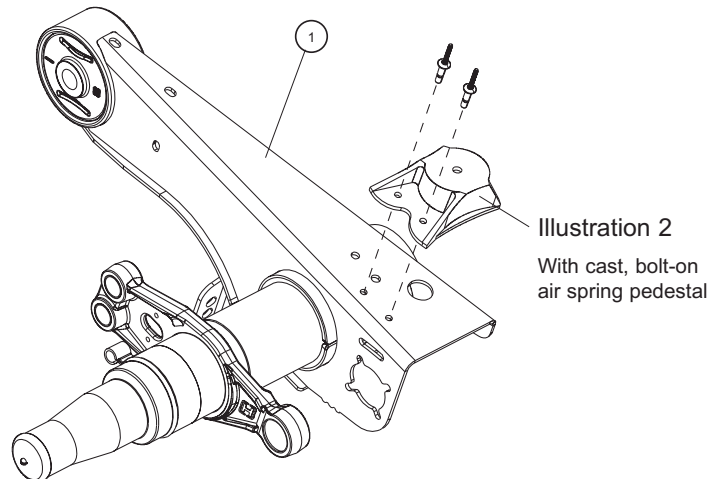
- Other options exist based on frame attachment, frame bracket style bolt hole pattern and connection.
- Picture may not depict all models.
- Other options exist based on frame attachment, frame bracket style bolt hole pattern and connection.

## SUSPENSION ASSEMBLIES

### Frame Bracket Assembly



Manufactured Late August 2002 and After



## FRAME BRACKET ASSEMBLY

Table 2-16: Hendrickson – INTRAAX® AANT 23K

Part Number	Item No.	Assembly	Description	Qty.	Note
HTRAAX.XXX	1	Axle & Frame	Axle/Beam Weldment		Contact Hendrickson for assistance.
HTRAAX.XXX	2		Frame Bracket		Contact Hendrickson for assistance.
C-28224-X	3	C-Channel (Not Shown)	C-Channel (Not Shown)		For weld-on, winged or wingless frame attachments.
C-28224-1	3a		71.5" Axle track	1	6" C-Channel. For weld-on, winged or wingless frame attachments.
C-28224-2	3a		71.5" Axle track	1	6" C-Channel. For weld-on, winged or wingless frame attachments.
B-29095-1	3b	Bolt-on, winged frame attachments, C-Channel (Not Shown)	71.5" Axle track	1	Standard C-Channel. For weld-on, winged or wingless frame attachments.
B-29095-2	3b		77.5" Axle track	1	Standard C-Channel. For weld-on, winged or wingless frame attachments.
B-29148-1	3c		71.5" Axle track	1	AANT Weld-on C-Channel. For weld-on, winged or wingless frame attachments.
B-29148-2	3c		77.5" Axle track	1	AANT Weld-on C-Channel. For weld-on, winged or wingless frame attachments.
D-28425-1	3d	Bolt-on, winged hangers with flush side mount attachment, C-Channel (Not Shown)	71.5" Axle track	1	C-Crossmember C-Channel. For weld-on, winged or wingless frame attachments.
D-28425-2	3d		77.5" Axle track	1	C-Crossmember C-Channel. For weld-on, winged or wingless frame attachments.
B-2347-7	4	Frame Bracket	Frame Bracket Brace (Not Shown)	2	19" ride height. For weld-on, winged or wingless frame attachments.
S-27330	5		Frame Bracket Gusset (Not Shown)	2	For weld-on, winged or wingless frame attachments, for ride heights of 12" to 17"
S-29822	6	Angle	Bolt-On Angle Hardware Kit (Not Shown)	1	Used with winged, bolt-on hangers with standard or compact connection
S-26773	7	Air Spring	Standard Pressure Air Spring	2	12" to 13" ride height
S-21800	7		Standard Pressure Air Spring	2	13.5" to 19" ride height
S-21784	7		Low Pressure Air Spring	2	13.5" to 19" ride height
S-22907 / 2	8	Air Spring Mouting Kit (1 per air spring)	Air Spring Mounting Kit (1 per air spring)	2	For standard models and frames with 12" ride height; For high control models with standard frame and 13" ride height
S-22619 / 2	8		Air Spring Mounting Kit (1 per air spring)	2	For standard models and frames with 13.5"-16" ride height; For standard models with thick .90"-1.25" frame and 19" ride height; For high control models with standard frames and 13.5" - 15" ride height; For high control models with thick .90"-1.25" frame and 17" ride height
S-22630 / 2	8		Air Spring Mounting Kit (1 per air spring)	2	For standard models and frame with 17" ride height; For standard models with thick .90"-1.25" frame and 13.5"-16" ride height; For high control models with thick .90"-1.25" frame and 13.5"-15" ride height
S-22631 / 2	8		Air Spring Mounting Kit (1 per air spring)	2	For standard models and frame with 18" ride height; For standard models with thick .90"-1.25" frame and 17" ride height; For high control models with standard frame and 16" ride height
S-22632 / 2	8		Air Spring Mounting Kit (1 per air spring)	2	For standard models and frame with 19" ride height; For standard models with thick .90"-1.25" frame and 18" ride height; For high control models with standard frames and 17" ride height; For high control models with thick .90"-1.15" frame and 16" ride height

Identification tag can be found on the inside of the curbside beam, RH= Ride Height

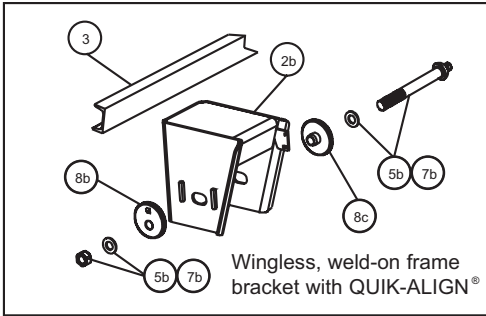
Part Number	Item No.	Assembly	Description	Qty.	Note
B-22510-1	9	Air Spring Spacer	Plastic 1-1/8" Thick spacer	2	Most 17" ride height
B-22510-2	9		Plastic 1-7/8" Thick spacer	2	Most 18" ride height
B-22510-3	9		Plastic 3-1/8" Thick spacer	2	Most 19" ride height
S-20905	10	Air Spring Mounting	Air Spring Mounting Plate <sup>3</sup>	2	
S-20905	10a		Weld-on frame brackets	2	12"-19" ride height, standard air spring mounting plate
S-21145	10b		Bolt-on frame brackets	2	13.5"-19" ride height, standard air spring mounting plate
C-22302-4	11	Air Spring Spacer Assembly (Not Shown)	Weld-on, Steel, 3-5/16" Thick spacer	2	Use with thick frame .9" to 1.25" and 19" ride height
D-26977-15	11		Bolt-on, Steel, 3-1/8" Thick spacer	2	Use with thick frame .9" to 1.25" and 19" ride height
S-20925	12a	Alignment Collars	Eccentric alignment collar (outer)	2	Pivot bolt hole is offset from the center of collar
S-20924	12b		Concentric alignment collar (inner)	2	Pivot bolt hole is in the center of collar
S-24705	13	Pivot	QUIK-ALIGN® Pivot Bolt Kit	2	Includes 7" shear-type bolt, nut and washers
S-26807	14	Bushing	Bushing Tube Spacer	4	
S-26321	15		Tri-Functional Bushing Kit <sup>4</sup>	1	Includes (2) bushings, pivot bolt kit, bushing tube spacers and lube
S-23566	16	Shock Absorber	13.5" to 19" RH; Standard travel	2	Replaces B-23566
S-23651	16		13" RH; Standard travel, high control models	2	Replaces B-23651
S-23361	16		13.5" to 17" RH; Standard travel, high control models	2	
S-23361	16		13.5" to 19" RH; Limited rebound	2	Replaces B-23361
S-24023	16		13.5" to 19" RH; Extended service with high damping	2	Replaces B-21553 or B-24023
S-23743	16		12" RH; Extended service with high damping	2	
S-24579	16		13" RH, Extended service with high damping	2	Replaces B-24579; High control models
S-24049 / 2	17		Shock Absorber Bolt Kit	2	One (1) required per shock Includes (2) shock straps, (2) shock strap clevis and (4) nylon ties
C-23086-4	18		Shock Strap Kit (Not Shown)	13" RH; Standard travel	1
C-23086-1	18	13.5" to 19" RH		1	Use with S-23566 shock
C-23086-7	18	13.5" to 17" RH; Standard travel with high control		1	Use with S-23361 shock
C-23086-7	18	13.5" to 19" RH; Limited rebound		1	Use with S-23361 shock
C-23086-3	18	12" RH; Extended service with high damping		1	Use with S-23743 shock
C-23086-8	18	13" RH		1	Use with S-24579 shock
C-23086-2	18	13.5" to 19" RH		1	Use with S-24579 shock
S-27196	19	Shock Absorber	Shock Spacer	1	

Identification tag can be found on the inside of the curbside beam, RH= Ride Height

# HENDRICKSON - HT230 TOP-MOUNT

NOTE: Identification tag can be found on the front of the roadside frame bracket or the inside of the curbside beam.

Picture shown may not resemble all models.



Winged, weld-on frame bracket with QUIK-ALIGN

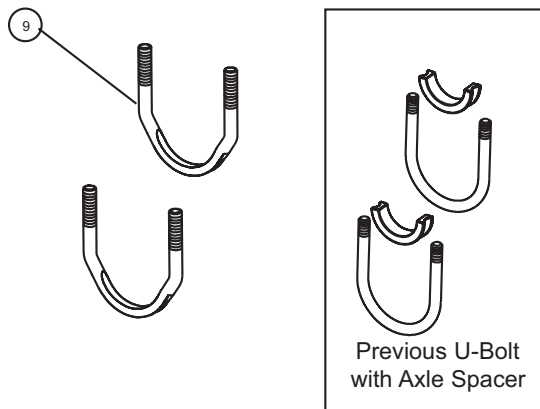
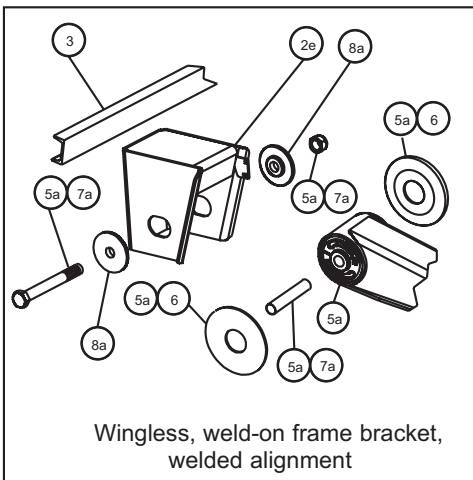
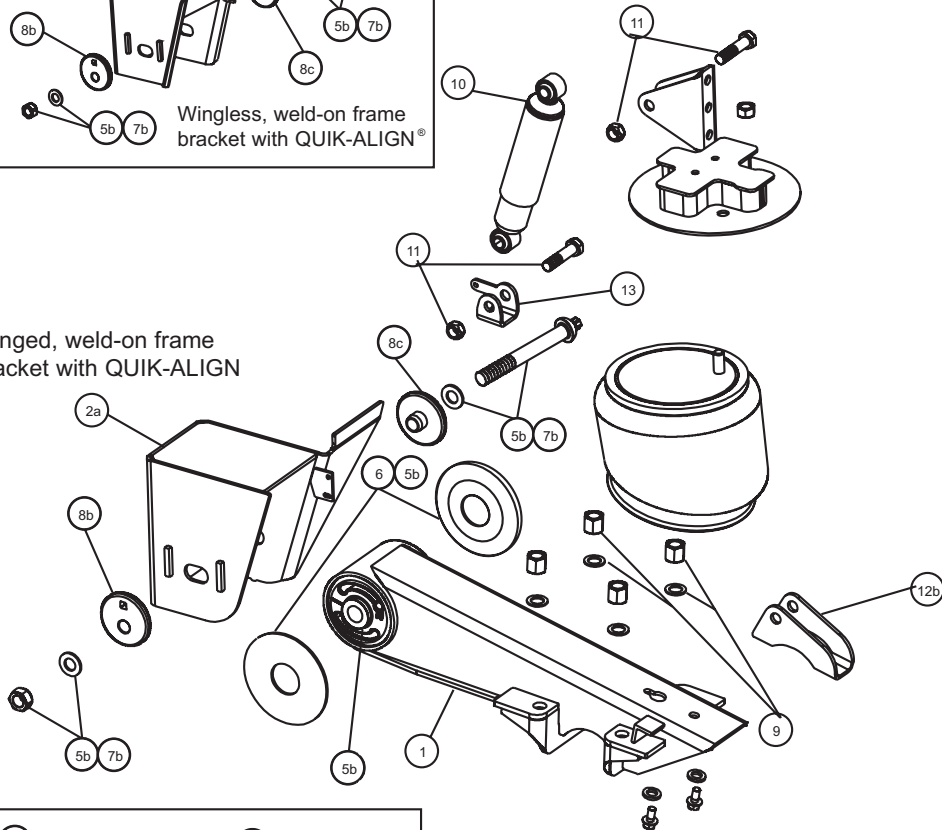


Table 2-17: Hendrickson – HT230 Top-Mount

Part Number	Item No.	Description	Qty.	Model	Comment
S-20000-1	1	Roadside Beam Assembly	1	Fits all models unless shown below.	
S-20000-2	1	Curbsid Beam Assembly	1		
S-21736-1	1	Roadside Beam Assembly	1	TA14-601, TB14-601	
S-21736-2	1	Curbsid Beam Assembly	1		
S-27614-1	1	Roadside Beam Assembly	1	TA15-522, TA17-522	
S-27614-2	1	Curbsid Beam Assembly	1		
S-21165-1	2a	Winged, Weld-on, QUIK-ALIGN® Roadside Frame Bracket	1	TA16-001, TA16-007, TA17-001, TA17-003, TA17-007, TA17-517, TA17-521, TA17-522	
S-21165-2	2a	Winged, Weld-on, QUIK-ALIGN® Curbside Frame Bracket	1	TA16-001, TA16-007, TA17-001, TA17-003, TA17-007, TA17-517, TA17-521, TA17-522	
S-21179-1	2a	Winged, Weld-on, QUIK-ALIGN® Roadside Frame Bracket	1	TA14-001, TA14-007, TA14-020, TA14-021, TA14-601, TA15-001, TA15-003, TA15-007, TA15-009, TA15-018, TA15-517, TA15-520, TA15-521, TA15-522, TA15-523	
S-21179-2	2a	Winged, Weld-on, QUIK-ALIGN® Curbside Frame Bracket	1	TA14-001, TA14-007, TA14-020, TA14-021, TA14-601, TA15-001, TA15-003, TA15-007, TA15-009, TA15-018, TA15-517, TA15-520, TA15-521, TA15-522, TA15-523	
S-21179-3	2a	Winged, Weld-on, QUIK-ALIGN® Roadside Frame Bracket	1	TA15-016	
S-21179-4	2a	Winged, Weld-on, QUIK-ALIGN® Curbside Frame Bracket	1	TA15-016	
S-21193-1	2a	Winged, Weld-on, QUIK-ALIGN® Roadside Frame Bracket	1	TA18-051, TA19-001	
S-21193-2	2a	Winged, Weld-on, QUIK-ALIGN® Curbside Frame Bracket	1	TA18-051, TA19-001	
S-21590-1	2b	Wingless, Weld-on, QUIK-ALIGN® Roadside Frame Bracket	1	TB14-001, TB14-024, TB15-001, TB15-003, TB15-009, TB15-028	
S-21590-2	2b	Wingless, Weld-on, QUIK-ALIGN® Curbside-Frame Bracket	1	TB14-001, TB14-024, TB15-001, TB15-003, TB15-009, TB15-028	
S-21592-1	2b	Wingless, Weld-on, QUIK-ALIGN® Roadside Frame Bracket	1	TB14-033, TB16-001, TB16-004, TB16-024, TB16-026, TB17-001, TB17-003, TB17-024	
S-21592-2	2b	Wingless, Weld-on, QUIK-ALIGN® Curbside-Frame Bracket	1	TB14-033, TB16-001, TB16-004, TB16-024, TB16-026, TB17-001, TB17-003, TB17-024	
S-22420-1	2b	Wingless, Weld-on, QUIK-ALIGN® Roadside Frame Bracket	1	TB15-025	
S-22420-2	2b	Wingless, Weld-on, QUIK-ALIGN® Curbside-Frame Bracket	1	TB15-025	
S-21204-1	2c	Winged, Bolt-on, QUIK-ALIGN® Roadside Frame Bracket	1	TA14-002, TA15-002, TA15-004	Not shown
S-21204-2	2c	Winged, Bolt-on, QUIK-ALIGN® Curbside Frame Bracket	1	TA14-002, TA15-002, TA15-004	Not shown
S-21205-1	2c	Winged, Bolt-on, QUIK-ALIGN® Roadside Frame Bracket	1	TA16-002, TA17-002	Not shown
S-21205-2	2c	Winged, Bolt-on, QUIK-ALIGN® Curbside Frame Bracket	1	TA16-002, TA17-002	Not shown
S-21332-1	2c	Winged, Bolt-on, QUIK-ALIGN® Roadside Frame Bracket	1	TA18-052	Not shown
S-21332-2	2c	Winged, Bolt-on, QUIK-ALIGN® Curbside Frame Bracket	1	TA18-052	Not shown



Part Number	Item No.	Description	Qty.	Model	Comment
S-22137-1	2d	Wingless, Bolt-on, QUIK-ALIGN® Roadside Frame Bracket	1	TB14-002	Not shown
S-22137-2	2d	Wingless, Bolt-on, QUIK-ALIGN® Curbside Frame Bracket	1	TB14-002	Not shown
S-22138-1	2d	Wingless, Bolt-on, QUIK-ALIGN® Roadside Frame Bracket	1	TB16-002, TB17-002	Not shown
S-22138-2	2d	Wingless, Bolt-on, QUIK-ALIGN® Curbside Frame Bracket	1	TB16-002, TB17-002	Not shown
S-20047-1	2e	Wingless, Weld-on, Welded Alignment Roadside Frame Bracket	1	14-008, 15-008, 15-025	
S-20047-2	2e	Wingless, Weld-on, Welded Alignment Curbside Frame Bracket	1	14-008, 15-008, 15-025	
C-20048-1	2e	Wingless, Weld-on, Welded Alignment Roadside Frame Bracket	1	17-008	
C-20048-2	2e	Wingless, Weld-on, Welded Alignment Curbside Frame Bracket	1	17-008	
S-20064-1	2e	Wingless, Weld-on, Welded Alignment Roadside Frame Bracket	1	14-001, 14-004, 14-005, 14-007, 14-017, 14-020, 14-021, 15-001, 15-003, 15-005, 15-006, 15-007, 15-009, 15-012, 15-017, 15-018, 15-020, 15-027, 15-028, 15-517	
S-20064-2	2e	Wingless, Weld-on, Welded Alignment Curbside Frame Bracket	1	14-001, 14-004, 14-005, 14-007, 14-017, 14-020, 14-021, 15-001, 15-003, 15-005, 15-006, 15-007, 15-009, 15-012, 15-017, 15-018, 15-020, 15-027, 15-028, 15-517	
S-20065-1	2e	Wingless, Weld-on, Welded Alignment Roadside Frame Bracket	1	16-001, 16-004, 16-005, 17-001, 17-003, 17-005, 17-006, 17-023, 17-517	
S-20065-2	2e	Wingless, Weld-on, Welded Alignment Curbside Frame Bracket	1	16-001, 16-004, 16-005, 17-001, 17-003, 17-005, 17-006, 17-023, 17-517	
S-20149-1	2e	Wingless, Weld-on, Welded Alignment Roadside Frame Bracket	1	15-016	
S-20149-2	2e	Wingless, Weld-on, Welded Alignment Curbside Frame Bracket	1	15-016	
S-14190-1	2e	Wingless, Weld-on, Welded Alignment Roadside Frame Bracket	1	19-001, 19-003, 19-027	
S-14190-2	2e	Wingless, Weld-on, Welded Alignment Curbside Frame Bracket	1	19-001, 19-003, 19-027	
S-20007-1	2f	Wingless, Bolt-on, Welded Alignment Roadside Frame Bracket	1	14-002, 14-011, 15-002, 15-004, 15-011, 16-021	Not shown
S-20007-2	2f	Wingless, Bolt-on, Welded Alignment Curbside Frame Bracket	1	14-002, 14-011, 15-002, 15-004, 15-011, 16-021	Not shown
S-20008-1	2f	Wingless, Bolt-on, Welded Alignment Roadside Frame Bracket	1	16-002, 17-002, 17-004	Not shown
S-20008-2	2f	Wingless, Bolt-on, Welded Alignment Curbside Frame Bracket	1	16-002, 17-002, 17-004	Not shown
S-20190-1	2f	Wingless, Bolt-on, Welded Alignment Roadside Frame Bracket	1	19-004	Not shown
S-20190-2	2f	Wingless, Bolt-on, Welded Alignment Curbside Frame Bracket	1		Not shown
A-1631-19	3	Frame Bracket Channel	1	Used on all wingless frame brackets and with 19" winged frame brackets.	
S-27330	4	Frame Bracket Gusset	2	Used on most winged frame brackets excluding 19" ride height.	Not shown

Part Number	Item No.	Description	Qty.	Model	Comment
S-6914	5a	Tri-Functional® II Bushing Kit, Welded Alignment	2		Includes bushing, bushing tube spacers, cap screw, prevailing torque hex nut, liner and lube. Bushing tool S-21307 is required to correctly re-bush the suspension.
S-24691	5b	Tri-Functional® II Bushing Kit, QUIK-ALIGN®	2		Includes bushing, bushing tube spacers, round head bolt, prevailing torque hex nut, hardened washers and lube. Bushing tool S-21307 is required to correctly re-bush the suspension.
S-21099	6	Bushing Tube Spacer	4	All models.	
S-3646	7a	Pivot Bolt Kit, Welded Alignment	2		Includes cap screw, prevailing torque hex nut and liner.
S-24679	7b	Pivot Bolt Kit, QUIK-ALIGN®	2		Includes round head bolt, hardened washers and prevailing torque hex nut.
S-2770	8a	Alignment Collar, Welded Alignment	4		Collars are welded to frame bracket.
S-20925	8b	Alignment Collar, Eccentric, QUIK-ALIGN® (outer)	2		Alignment hole is off center.
S-20924	8c	Alignment Collar, Concentric, QUIK-ALIGN® (inner)	2		Alignment hole is centered.
S-21140	9	U-Bolt Kit	4		Includes (1) stepped U-bolt and hardware. Axle spacer is not needed with stepped U-bolt.
S-20002	10	Shock Absorber	2	All models except below.	
S-2160	10	Shock Absorber	2	14-007, 14-011, 15-007, 15-011, 15-012, 15-028, TA14-007, TA15-007, TA16-007, TA17-007, TB14-033, TB15-028	
S-20126	10	Shock Absorber	2	14-017, 15-017, 15-517, 17-517, TA15-517, TA15-520, TA17-517	
S-2212	10	Shock Absorber	2	14-020, 14-021, TA14-021	
B-22345	10	Shock Absorber	2	TA14-020	
S-21553	10	Shock Absorber	2	TA15-521, TA17-521	
S-21699	10	Shock Absorber	2	TA15-522, TA17-522	
S-20031	11a	Shock Bolt Kit, Standard HT Application	2	Fits all models unless shown below.	Lower shock clevis (item #11) is included with beam assembly.
S-20218	11b	Shock Bolt Kit, Customer Supplied Slider Application	2	14-003, 14-004, 15-009, 15-010, 15-020, 16-003, 16-004, 17-010, TA14-003, TA15-009, TA15-010, TA16-003, TB14-003, TB14-601, TB15-009, TB15-010, TB16-003, TB16-004, TB17-010,	Lower shock clevis (item #11) is included with beam assembly.
S-2157	11c	Customer Located Remote Shock	2	14-007, 14-011, 14-020, 14-021, 15-007, 15-011, 15-012, 15-028, 16-021, TA14-007, TA14-020, TA15-007, TA16-007, TA17-007, TB14-033, TB15-028,	Lower shock clevis (item #11) is included with beam assembly.

Part Number	Item No.	Description	Qty.	Model	Comment
S-2592	12a	Remote Shock Mount, Upper Assembly	2	14-007, 15-007, 15-012, 15-028, TA14-007, TA15-007, TA16-007, TA17-007, TB14-033, TB15-028	Not shown
S-9002	12a	Remote Shock Mount, Upper Assembly	2	14-011, 15-011	
S-2723	12b	Remote Shock Mount, Lower Assembly	2	14-007, 14-011, 15-007, 15-011, 15-012, 15-028, 16-021, TA14-007, TA15-007, TA16-007, TA17-007, TB14-033, TB15-028,	
S-20069	13	Lower Shock Clevis	2	All models	Lower shock clevis is included with beam assembly (item # 1).
C-20011-1	14	Air Spring Shock Mount, Roadside	1	14-001, 14-005, 14-017, 15-003, 15-006, 15-016, 15-027, 19-027, 14-001, TA14-020, TA14-601, TA15-003, TA15-016, TB14-001, TB14-024, TB15-003	Includes air spring plate, spacer assembly and upper shock bracket. Component may vary for slider suspensions based on slider box manufacturer. Contact Hendrickson for assistance.
C-20011-2	14	Air Spring Shock Mount, Curbside	1	14-001, 14-005, 14-017, 15-003, 15-006, 15-016, 15-027, 19-027, 14-001, TA14-020, TA14-601, TA15-003, TA15-016, TB14-001, TB14-024, TB15-003	Includes air spring plate, spacer assembly and upper shock bracket. Component may vary for slider suspensions based on slider box manufacturer. Contact Hendrickson for assistance.
C-20012-1	14	Roadside	1	15-001, 15-005, 15-017, 15-018, 15-517, TA15-001, TA15-517, TB15-001	
C-20012-2	14	Curbside	1	15-001, 15-005, 15-017, 15-018, 15-517, TA15-001, TA15-517, TB15-001	
C-20013-1	14	Roadside	1	16-001, 16-005, 17-003, 17-005, TA16-001, TA17-003, TB16-001, TB16-024, TB17-003	
C-20013-2	14	Curbside	1	16-001, 16-005, 17-003, 17-005, TA16-001, TA17-003, TB16-001, TB16-024, TB17-003	
C-20014-1	14	Roadside	1	17-001, 17-006, 17-023, 17-517, TA17-001, TA17-517, TB17-001, TB17-024	
C-20014-2	14	Curbside	1	17-001, 17-006, 17-023, 17-517, TA17-001, TA17-517, TB17-001, TB17-024	
C-20015-1	14	Roadside	1	14-002, 14-008, 15-004, TA14-002, TA15-004, TB14-002	
C-20015-2	14	Curbside	1	14-002, 14-008, 15-004, TA14-002, TA15-004, TB14-002	
C-20016-1	14	Roadside and Curbside	2	15-007, 15-009, TA15-007, TA15-009, TB15-009, TB16-004	
C-20016-2	14	Roadside and Curbside	2	16-004, TB16-004, TA16-007	
C-20016-3	14	Roadside and Curbside	2	TA17-007	
C-20040-1	14	Roadside	1	15-002, 15-008, TA15-002	
C-20040-2	14	Curbside	1	15-002, 15-008, TA15-002	
C-20041-1	14	Roadside	1	16-002, 17-004, TA16-002, TB16-002	
C-20041-2	14	Curbside	1	16-002, 17-004, TA16-002, TB16-002	
C-20042-1	14	Roadside	1	17-002, 17-008, 19-004, TA17-002, TB17-002	

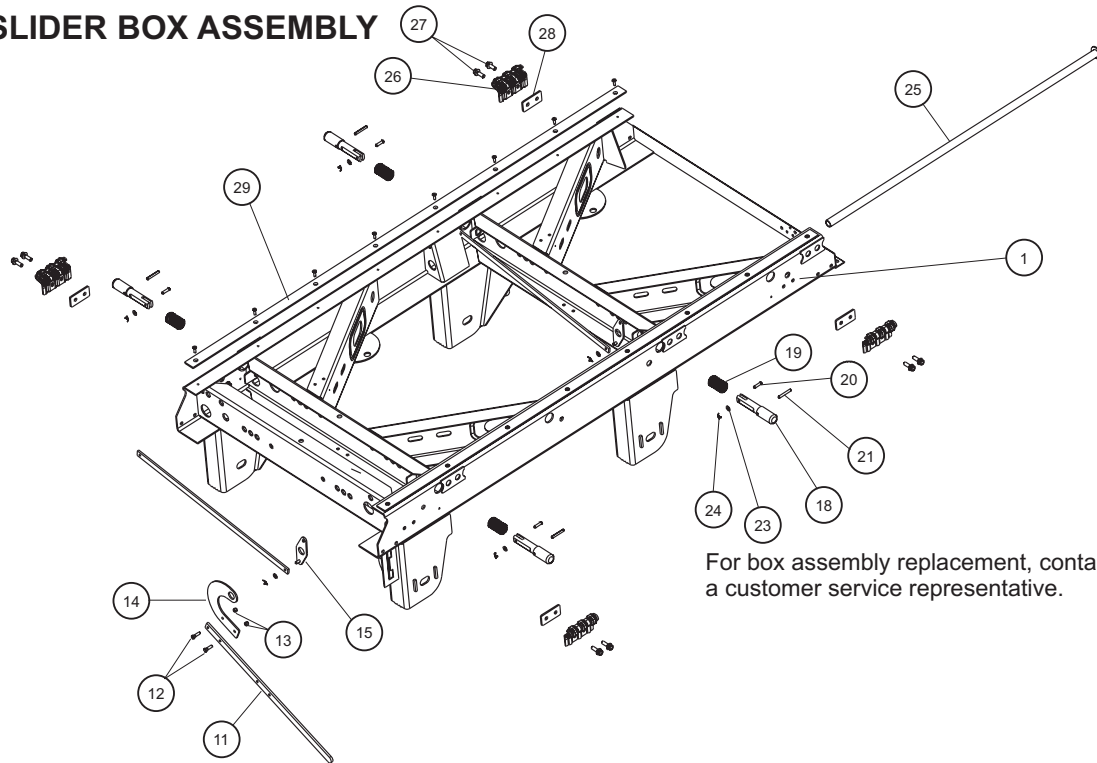
Part Number	Item No.	Description	Qty.	Model	Comment
C-20042-2	14	Curbside	1	17-002, 17-008, 19-004, TA17-002, TB17-002	
C-20401-1	14	Roadside	1	19-001, 19-003, TA19-001	
C-20401-2	14	Curbside	1	19-001, 19-003, TA19-001	
C-21195-1	14	Roadside	1	18-051	
C-21195-2	14	Curbside	1	18-051	
C-21257-1	14	Roadside	1	TA15-520, TA15-521, TA15-522	
C-21257-2	14	Curbside	1	TA15-520, TA15-521, TA15-522	
C-21405-1	14	Roadside	1	18-052	
C-21405-2	14	Curbside	1	18-052	
C-22561-1	14	Roadside	1	TA17-521, TA17-522	
C-22561-2	14	Curbside	1	TA17-521, TA17-522	
C-20016-1	15	Air Spring Spacer assembly	2	15-007, 15-009, TA15-007, TA15-009, TB15-009	Component may vary for slider suspensions based on slider box manufacturer. Contact Hendrickson for assistance.
S-20023	16	Upper Shock Bracket	2	15-025, TA15-025, TB14-022, TB15-025	
S-20010	17	Air Spring	2	All models except below.	
S-21208	17	Air Spring	2	TA15-520, TA15-521, TA15-522, TA15-523, TA17-521, TA17-522	
S-20033/2	18	Air Spring Mounting Kit	2	All models except below.	
A-21251	18	Air Spring Mounting Kit	2	TA15-520, TA15-521, TA15-522, TA15-523, TA17-521, TA17-522	
VS-227	19	Universal Height Control Valve	Per trailer	Fits all models. Includes height control valve, exhaust line and spacer bracket.	Not shown. Quantities for air control components per trailer.
S-14187	20	Universal Linkage Assembly	Per trailer	Includes linkage valve assembly and hardware.	Not shown. Quantities for air control components per trailer.
VS-23460	21	Auto Dump Valve	Per trailer	Includes dump and fittings.	Not shown. Quantities for air control components per trailer.
VS-1128	22	Pressure Protection Valve	Per trailer	Includes valve only.	Not shown. Quantities for air control components per trailer.

**NOTES**

A large rectangular area filled with a light blue grid pattern, intended for handwritten notes. The grid consists of approximately 25 columns and 35 rows of small squares.

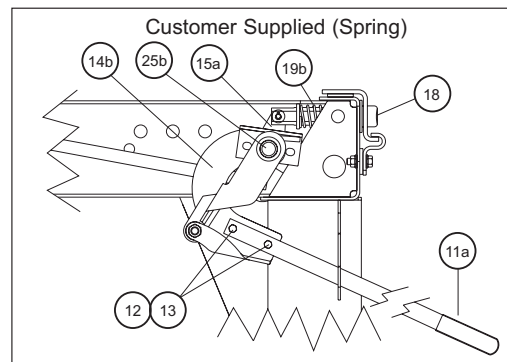
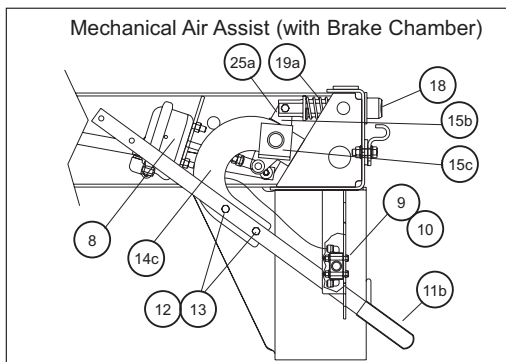
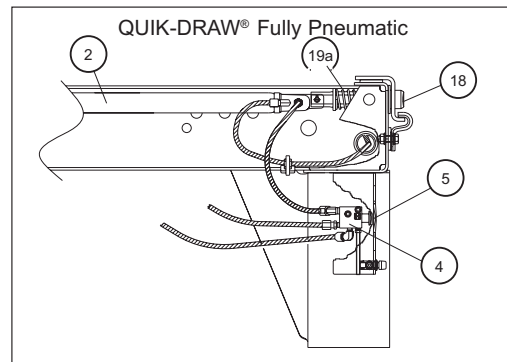
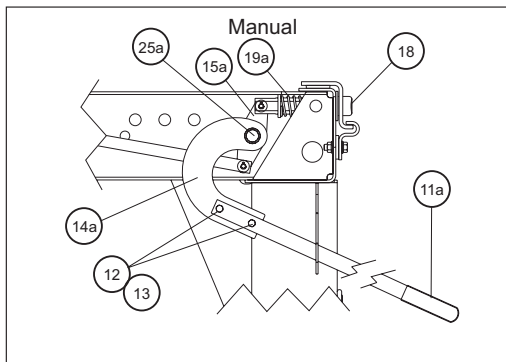
# HENDRICKSON - VANTRAAX® HKANT 40K/HKA180

## SLIDER BOX ASSEMBLY



For box assembly replacement, contact a customer service representative.

## RELEASE MECHANISMS



## SLIDER BOX ASSEMBLY

Table 2-18: Hendrickson – VANTRAAX® HKANT 40K/HKA180, Slider Box Assembly

Part Number	Item No.	Assembly	Description	Qty.	Note
AMBOX.###	1		Aftermarket Slider Box Replacement	1	Contact Hendrickson for assistance.
S-28061-1	2a	Quik-Draw® Pneumatic Pin-Pull Mechanism	Front Linear Actuator With Fittings, 42" Box	1	
S-28062-1	2b		Rear Linear Actuator With Fittings, 42" Box	1	
S-28061-2	2c		Front Linear Actuator With Fittings, 48" and 54" Box	1	Also order Pin Extension for 54" box.
S-28062-2	2d		Rear Linear Actuator With Fittings, 48" and 54" Box	1	Also order Pin Extension for 54" box.
S-27836	3		Pin Extension 54" Box Width (Not Shown)	4	54" box is used with wide base tires.
VS-25223	4a	Quik-Draw® Valve	Three-Way Auto Reset Valve	1	
VS-25224	4b		Three-Way Auto Reset Valve Assembly With Fittings	1	
VS-25849	5		Quik-Draw Valve Knob With Set Screw	1	
B-25284	6		Quik-Draw Valve Spacer (Not Shown)	1	
D-25430-2	7a	Quik-Draw® Retrofit Kit (Not Shown)	42" Box Width	1	Includes actuators, valve, plumbing hardware and instructions.
D-25430-8	7b		48" Box Width	1	Same as above.
D-25430-4	7c		54" Box Width	1	
A-23039	8		Brake Chamber Mechanical Air Assist	1	Type 12 modified.
VS-23224	9		Air Valve Mechanical Air Assist	1	Air valve with fittings.
A-22977	10		Valve Cap	1	
S-25592	11a	Handle Assembly	Manual and Customer Supplied	1	Handle and grip assembly.
B-22923	11b		Mechanical Air Assist	1	Handle only.
SA-1100-10	12		Handle Bolt	2	2-3/8"-16 x 1-1/4" hex head bolt Grade 5.
SA-9000-5	13		Handle Nut	2	2-3/8"-16 Lock nut, Grade B.
C-23232	14a	Handle Mount	Manual	1	
C-23530	14b		Customer Supplied	1	
C-23231	14c		Mechanical Air Assist	1	
B-23149	15a	Crank Arm Weldment	Manual and Customer Supplied	2	For front and rear of slider box.
B-23149	15b		Mechanical Air Assist	1	For rear of slider box.
B-22659	15c		Mechanical Air Assist	1	For front of slider box.
B-23025	16		Crank Arm Plate; Mechanical Air Assist (Not Shown)	1	
NA	17		Crank Arm Bolt Kit (Not Shown)	1	Includes bolt, flat washer, lock washer and nut.
S-28290	18a	Locking Pin	1.375" Diameter Pin	4	4" body rail hole spacing (TTMA).
S-28290	18b		1.375" Diameter Pin	4	6" body rail hole spacing.
S-28289	18c		1.625" Diameter Pin	4	4" body rail hole spacing.

<i>Part Number</i>	<i>Item No.</i>	<i>Assembly</i>	<i>Description</i>	<i>Qty.</i>	<i>Note</i>
B-28930	19a	Locking Pin Spring	42" Box Width With Manual and Mechanical Air Assist 48" Box Width With Manual, Quik-Draw® and Mechanical Air Assist	4	3.25" spring.
B-22000	19b		42" Box Width With Quik-Draw 42" and 48" Box Width With Customer Supplied Spring Mechanism	4	3.8" spring.
SA-5200-6	20		Clevis Pin	4	3/8" x 1-3/8"
SA-8100-4	21		Spring Pin	4	3/8" x 2-1/2" roll pin.
S-23150-1	22a	Locking Pin Link	42" Box Width	2	
S-23150-2	22b		48" Box Width	2	
S-23150-3	22c		54" Box Width	2	
SA-1500-2	23		Locking Pin Washer	6	3/8" I.D. flat washer.
SA-1700-12	24		Locking Pin Link Cotter Pin	6	3/32" x 1" cotter pin.
S-21433	25a	Pipe Weldment	Manual and Mechanical Air Assist	1	
S-21433-1	25b		Customer Supplied	1	
S-24459	26a	Body Rail Clip	3.4" Clip Height	4	Use with 4" hole centers and 1.625" locking pin.
S-24460	26b		3.8" Clip Height	4	Use with 6" hole centers and 1.375" locking pin.
SA-6900-2	27		Body Rail Bolt	8	1/2"-13" x 1-1/2" flanged bolt.
A-21282	28a	Body Rail Clip Spacer	1.5" Clip Hole Centers	4	
A-22367	28b		2" Clip Hole Centers	4	
S-14342-3	29		Slider Wear Pad Kit	2	Includes (1) slider wear pad and (8) screws.



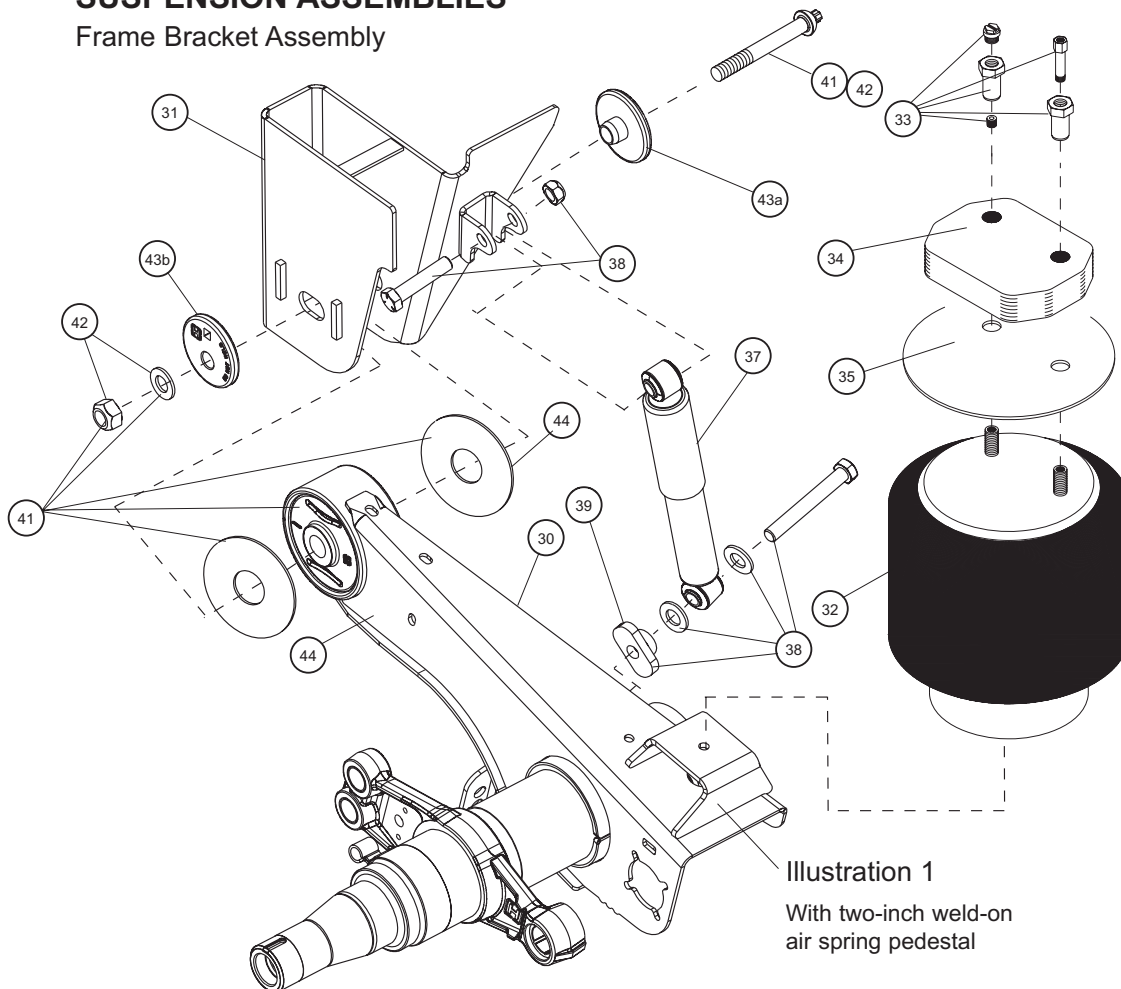
**NOTES**

A large rectangular area filled with a light blue grid pattern, intended for handwritten notes. The grid consists of approximately 20 columns and 30 rows of small squares.

### SUSPENSION ASSEMBLY HKANT 40K/HKA180

#### SUSPENSION ASSEMBLIES

##### Frame Bracket Assembly



Manufactured Late  
August 2002 and After

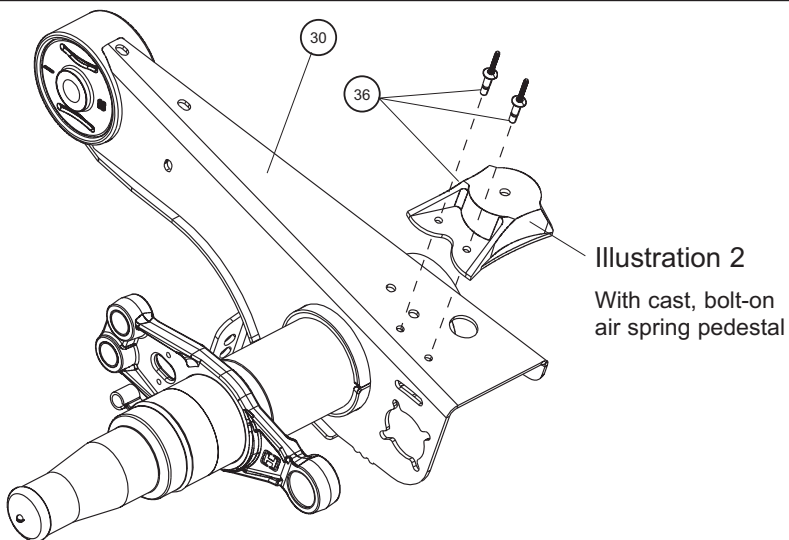


Table 2-19: Hendrickson – VANTRAAX® HKANT 40K/HKA180, Suspension Assembly

Part Number	Item No.	Assembly	Description	Qty.	Note	
HTRAAX ###	30		Half-Traax Axle/Beam Weldment	2	Contact Hendrickson for assistance.	
S-22365-1	31a	Frame Bracket Assembly - Narrow Beam	Roadside	2	14"-15" Ride Heights.	
S-22365-2	31a		Curbside	2	14"-15" Ride Heights.	
S-29802-1L	31b		Roadside	2	15.5"-17" Ride Heights.	
S-29802-1R	31b		Curbside	2	15.5"-17" Ride Heights.	
S-22997-1	31c		Roadside	2	18"-19" Ride Heights.	
S-22997-2	31c		Curbside	2	18"-19" Ride Heights.	
S-22948	32a	Air Spring	(Shipped Prior To January 2008)	4	Replaces C-22948 and C-21966 16" Ride Height and above.	
S-28929	32b		(Shipped After January 2008)	4		
S-22635/2	33a	Air Spring Mounting Kit (Per Air Spring)	With 2" Weld-On Air Spring Pedestal - When Model Includes a 2" Weld-On Pedestal Under the Air Spring. (Illustration 1)	4	14" and 18" Ride Heights.	
S-22631/2	33a		With 2" Weld-On Air Spring Pedestal - When Model Includes a 2" Weld-On Pedestal Under the Air Spring. (Illustration 1)	4	15" and 19" Ride Heights.	
S-22632/2	33a		With 2" Weld-On Air Spring Pedestal - When Model Includes a 2" Weld-On Pedestal Under the Air Spring. (Illustration 1)	4	15.5" Ride Height.	
S-22619/2	33a		With 2" Weld-On Air Spring Pedestal - When Model Includes a 2" Weld-On Pedestal Under the Air Spring. (Illustration 1)	4	16", 16.5" and 17" Ride Heights.	
S-22619/2	33b		With Cast Air Spring Pedestal - When Model Includes a Cast, Bolt-On Pedestal Under the Air Spring. (Illustration 2)	4	14"-18" Ride Heights.	
S-22630/2	33b		With Cast Air Spring Pedestal - When Model Includes a Cast, Bolt-On Pedestal Under the Air Spring. (Illustration 2)	4	19" Ride Height.	
B-22510-4	34a		Air Spring Spacer	With 2" Weld-On Air Spring Pedestal - When Model Includes a 2" Weld-On Pedestal Under the Air Spring. (Illustration 1)	4	14" and 16.5" Ride Heights 3/4" thick spacer.
B-22510-2	34a			With 2" Weld-On Air Spring Pedestal - When Model Includes a 2" Weld-On Pedestal Under the Air Spring. (Illustration 1)	4	15.5" Ride Height.
B-22510-4	34a	With 2" Weld-On Air Spring Pedestal - When Model Includes a 2" Weld-On Pedestal Under the Air Spring. (Illustration 1)		4	Requires both the 3/4" and 1-7/8" spacer.	
B-22510-2	34a	With 2" Weld-On Air Spring Pedestal - When Model Includes a 2" Weld-On Pedestal Under the Air Spring. (Illustration 1)		4	15" and 18" Ride Heights 1-7/8" thick spacer.	
B-22510-1	34a	With 2" Weld-On Air Spring Pedestal - When Model Includes a 2" Weld-On Pedestal Under the Air Spring. (Illustration 1)		4	17" Ride Height 1-1/8" thick spacer.	
B-22510-3	34a	With 2" Weld-On Air Spring Pedestal - When Model Includes a 2" Weld-On Pedestal Under the Air Spring. (Illustration 1)		4	19" Ride Height 3-1/8" thick spacer.	
B-22510-1	34b	With Cast Air Spring Pedestal - When Model Includes a Cast, Bolt-On Pedestal Under the Air Spring. (Illustration 2)		4	19" Ride Height 1-1/8" thick spacer.	
S-27042	35			Air Spring Mounting Plate	4	15.5" Ride Height.

Part Number	Item No.	Assembly	Description	Qty.	Note
S-27447-1	36		Cast Air Spring Pedestal Kit - When Model Includes a Cast, Bolt-On Pedestal Under the Air Spring. (Illustration 2)	2	16" Ride Height with 2" Pedestal.
S-27447-2	36		Cast Air Spring Pedestal Kit - When Model Includes a Cast, Bolt-On Pedestal Under the Air Spring. (Illustration 2)	2	16.5" Ride Height with 2.57" Pedestal.
S-27447-3	36		Cast Air Spring Pedestal Kit - When Model Includes a Cast, Bolt-On Pedestal Under the Air Spring. (Illustration 2)	2	14" and 17" Ride Heights with 3.17" Pedestal.
S-27447-4	36		Cast Air Spring Pedestal Kit - When Model Includes a Cast, Bolt-On Pedestal Under the Air Spring. (Illustration 2)	2	15", 15.5", 18" and 19" Ride Heights with 3.91" Pedestal.
S-24088	37		Shock Absorber	4	
S-24049/2	38		Shock Bolt Kit	4	Includes shear bolt, spacer, washers, hex bolt and hex nut.
S-27196	39		Shock Spacer	4	
C-23086-1	40		Shock Strap Kit (Not Shown)	4	Includes strap, clevis and ties.
S-26321	41		Tri-Functional® Pivot Bushing Kit 1	2	Includes (2) bushings, (2) pivot bolt kits, (4) bushing tube spacers and lubricant pack.
S-24705	42		Quik-Align® Pivot Bolt Kit	4	Contains 7" bolt, nut and hardened washers.
S-20924	43a	Quik-Align® Alignment Collars	Concentric (Inner)	4	Pivot bolt hole is centered.
S-20925	43b		Eccentric (Outer)	4	Pivot bolt hole is offset from center.
B-11613	44a	Bushing Tube Spacer	Units Shipped Before Aug. 1, 2002	8	Inner metal outer diameter dimension of TRI-FUNCTIONAL® Bushing is 2.2"; Inner hole dimension of BTS 2.38"
S-26807	44b		Units Shipped After Aug. 1, 2002	8	Inner metal outer diameter dimension of TRI-FUNCTIONAL® Bushing is 2.6"; Inner hole dimension of BTS 2.95"
VS-227	45		Universal Non-Delay Height Control Valve (Not Shown)	1	All applications.

## HENDRICKSON – VANTRAAX® HKANT 46K/HKAT 46K/HKA200

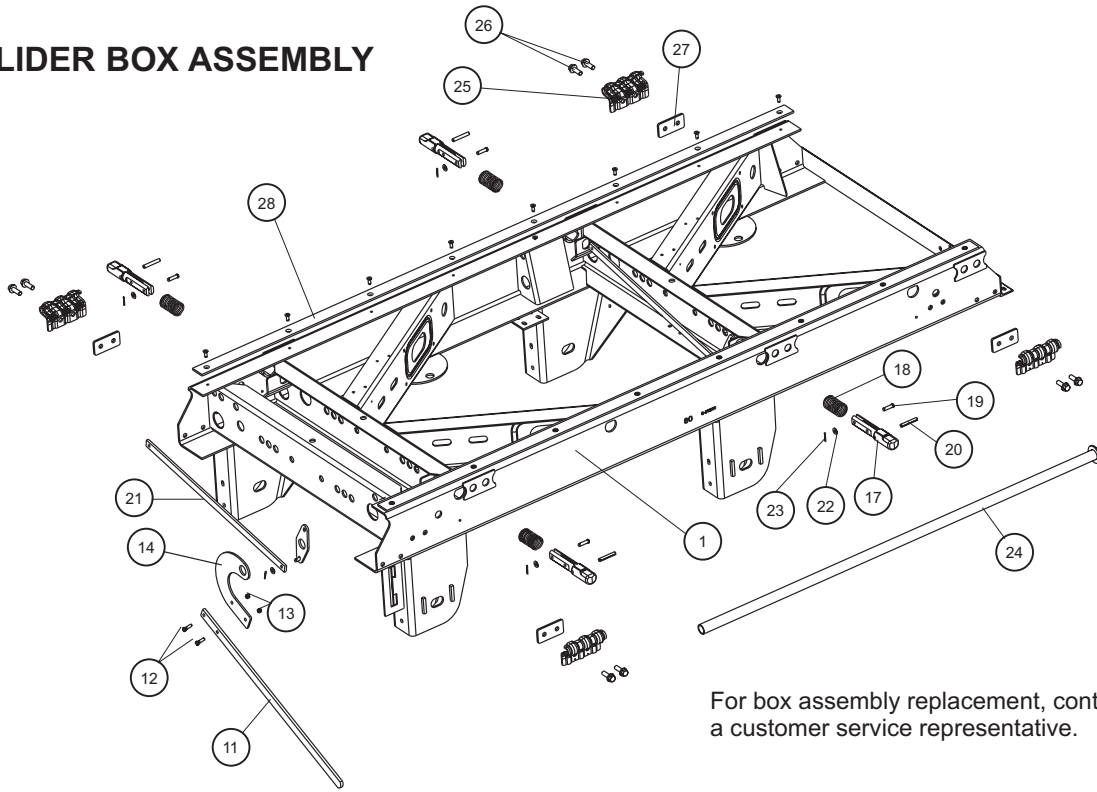
- Hendrickson 46K slider boxes are manufactured in two designs.
- The new HKANT 46K (released July 2005) is standard with narrow bushing / tapered beams and large diameter axles (LDATM - 5.75 inch).
- The original HKAT 46K / HKA200 models are standard with wide bushing / straight beams and 5 inch diameter axles.
- Please refer to the following graphics to determine which model you have. When identifying suspension components, be sure to use the appropriate section of the parts list.
- Bushing tool S-24736 is required to correctly re-bush the suspension.

See illustration on next page.

Identification can be found on the roadside slider box rail above the front frame bracket. There will also be a blank INTRAAX® tag on the inside of the curbside beam.

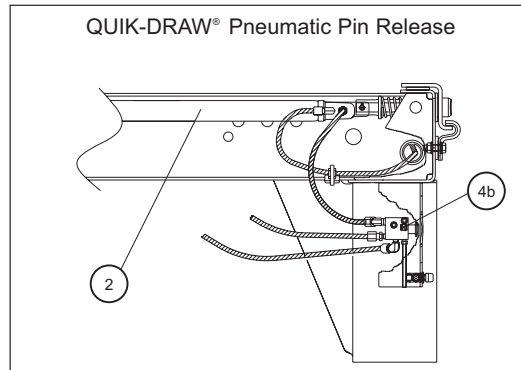
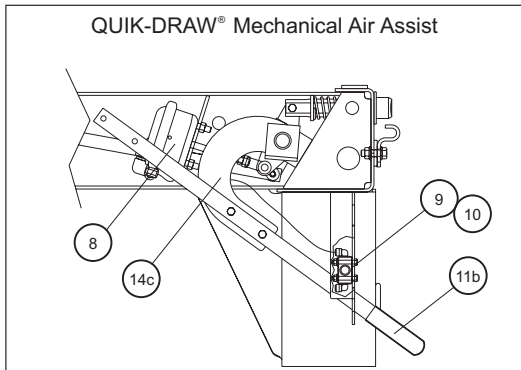
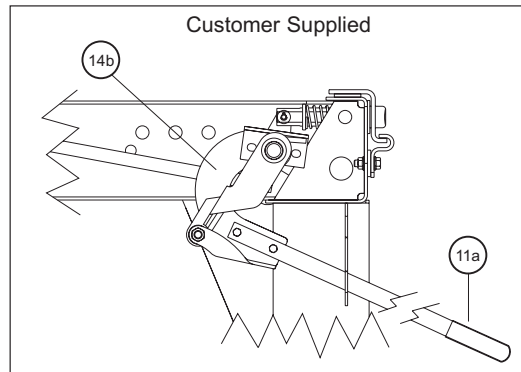
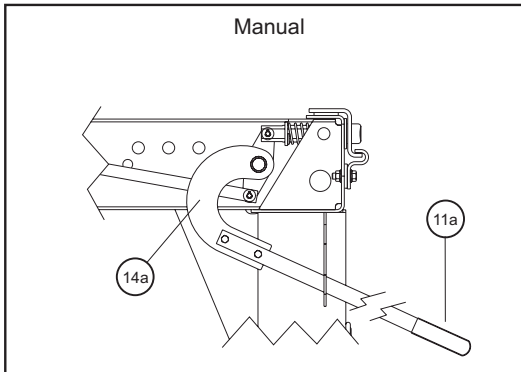
Narrow hanger shown. Pin pull mechanisms are identical for both wide and narrow width slider models.

### SLIDER BOX ASSEMBLY



For box assembly replacement, contact a customer service representative.

### RELEASE MECHANISMS



## SLIDER BOX ASSEMBLY

Table 2-20: Hendrickson VANTRAAX® HKANT 46K/ HKAT 46K/HKA200, Slider Box Assembly

Part Number	Item No.	Assembly	Description	Qty.	Note
AMBOX.###	1		AFTERMARKET BOX REPLACEMENT		
S-28061-1	2a	Quik-Draw® Pneumatic Pin-Pull System	Front linear actuator with fittings, 42" box	1	
S-28062-1	2b		Rear linear actuator with fittings, 42" box (Not Shown)	1	
S-28061-2	2c		Front linear actuator with fittings, 48" and 54" box (Not Shown)	1	Also order Pin Extensions for 54" box
S-28062-2	2d		Rear linear actuator with fittings, 48" and 54" box (Not Shown)	1	Also order Pin Extensions for 54" box
S-27836	3		PIN EXTENSION 54" BOX WIDTH (Not Shown)	4	54" box is used with wide-base tires
VS-25223	4a	Quik-Draw® Valve	Three-way auto reset valve (Not Shown)	1	Includes valve, knob and set screw
VS-25224	4b		Three-way auto reset valve assembly with fittings	1	Includes valve and fittings
VS-25849	5		QUIK-DRAW VALVE KNOB with SET SCREW (Not Shown)	1	
B-25284	6		QUIK-DRAW VALVE SPACER (Not Shown)	1	
D-25430-2	7a	Quik-Draw® Retrofit Kit (Not Shown)	42" box	1	Includes actuators, valve, plumbing hardware and instructions
D-25430-8	7b		48" box	1	Same as above
D-25430-4	7c		54" box	1	
A-23039	8		BRAKE CHAMBER RELEASE MECHANISM	1	Type 12 modified
VS-23224	9		AIR VALVE RELEASE MECHANISM	1	Air valve with fittings
A-22977	10		VALVE CAP	1	
S-25592	11a	Handle Assembly	Manual and customer supplied release mechanisms	1	Handle and grip assembly
B-22923	11b		Mechanical air assist release mechanisms	1	Handle only
SA-1100-10	12		HANDLE BOLT	2	2-3/8"-16 x 1-1/4" hex head bolt, grade 5
SA-9000-5	13		HANDLE NUT	2	2-3/8"-16 lock nut, grade B
C-21275	14a	Handle Mount	Manual	1	
C-23530	14b		Customer supplied	1	
C-23231	14c		Mechanical air assist	1	
B-23149	15a	Crank Arm Weldment (Not Shown)	Manual and customer supplied	2	For front and rear of slider box
B-23149	15b		Mechanical air assist	1	For rear of slider box
B-22659	15c		Mechanical air assist	1	For front of slider box
B-23025	16		CRANK ARM PLATE - Mechanical Air Assist (Not Shown)	1	

Part Number	Item No.	Assembly	Description	Qty.	Note
S-28290	17a	Locking Pin	1.375" diameter pin	4	4" body rail hole spacing (TTMA)
S-28290	17b		1.375" diameter pin	4	6" body rail hole spacing
S-28289	17c		1.625" diameter pin	4	4" body rail hole spacing
B-28930	18a	Locking Pin Spring	Manual mechanism - 42", 48" and 54" box	4	3.25" spring
B-22000	18b		QUIK-DRAW® mechanism - 42" box	4	3.8" spring
B-28930	18c		QUIK-DRAW® mechanism - 48" and 54" box	4	3.25" spring
B-28930	18d		Mechanical air assist mechanism 42" and 48" box widths	4	3.25" spring
B-22000	18c		Customer supplied mechanism - 42" and 48" box	4	3.8" spring
SA-5200-6	19		CLEVIS PIN	4	3/8" x 1-3/8"
SA-8100-4	20		SPRING PIN	4	3/8" x 2-1/2" roll pin
S-23150-1	21a	Locking Pin Link	42" box	2	
S-23150-2	21b		48" box	2	
S-23150-3	21c		54" box	2	
SA-1500-2	22		LOCKING PIN WASHER	6	3/8" I.D. flat washer
SA-1700-12	23		LOCKING PIN LINK COTTER PIN	6	3/32" x 1" cotter pin
S-21433	24a	Pipe Weldment	Manual and mechanical air assist	1	
S-21433-1	24b		Customer supplied	1	
S-24459	25a	Body Rail Clip	3.4" clip height	4	Use with 4" hole centers and 1.625" locking pin
S-24460	25b		3.8" clip height	4	Use with 6" hole centers and 1.395" locking pin
SA-6900-2	26		BODY RAIL CLIP BOLT	8	1/2"-13" x 1-1/2" flanged bolt
A-22367	27		BODY RAIL CLIP SPACER	4	2" clip hole centers
S-14342-3	28		SLIDER WEAR PAD KIT	2	Includes (1) slider wear pad and (8) screws



SUSPENSION ASSEMBLY – HKANT 46K, NARROW BUSHING/TAPERED BEAM MODEL

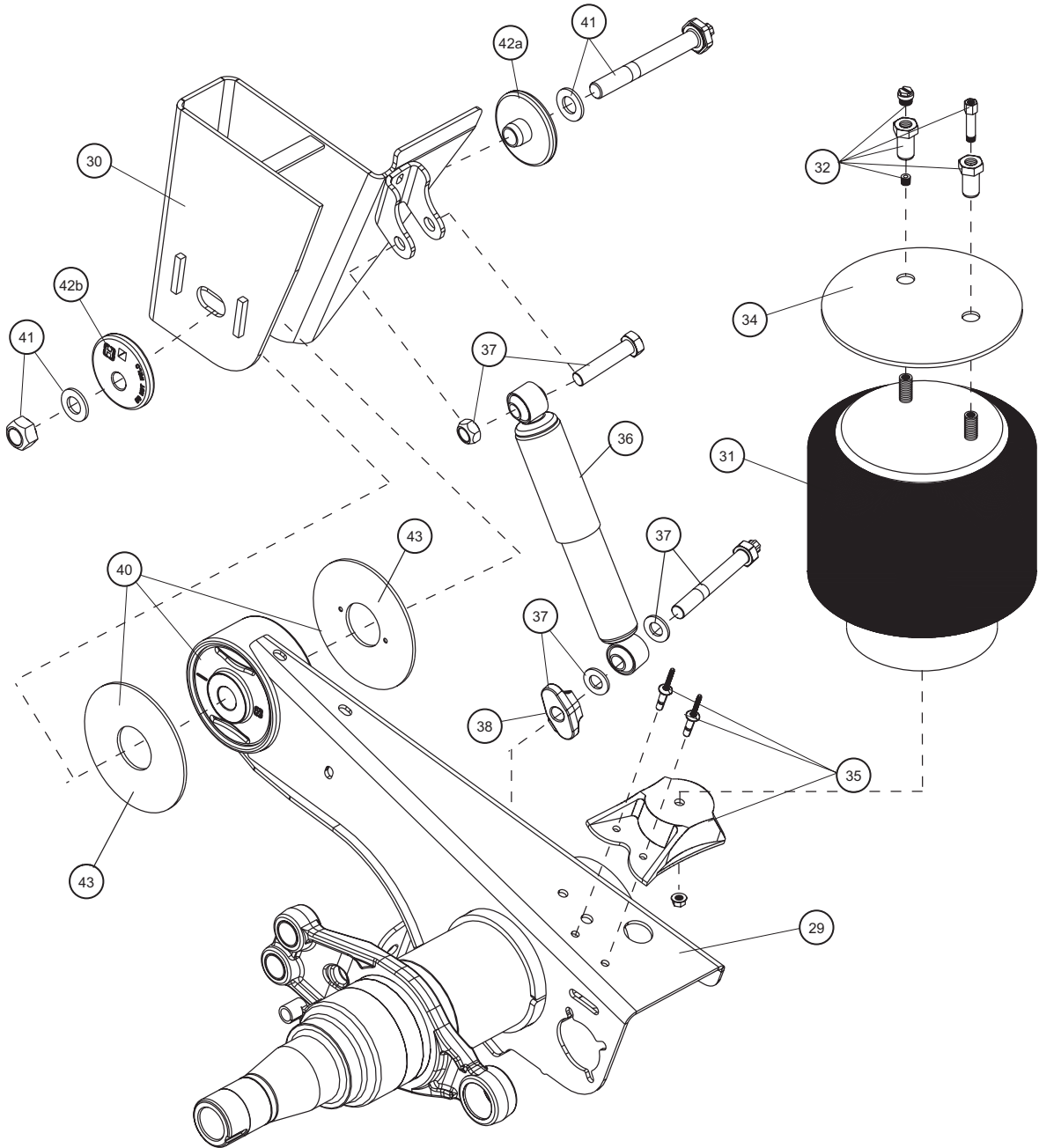


Table 2-21: Hendrickson VANTRAAX® HKANT 46K/ HKAT 46K/HKA200, Narrow Bushing/Tapered Beam Model

Part Number	Item No.	Assembly	Description	Qty.	Note
HTRAAX.###	29		HALFTRAAX™ AXLE/BEAM WELDMENT	2	Contact Hendrickson for assistance.
S-28531-1L	30a	Frame Bracket Assembly-Narrow Beam	Roadside	2	14"-15" Ride height

Part Number	Item No.	Assembly	Description	Qty.	Note
S-28531-1R	30b	Frame Bracket Assembly- Narrow Beam	Curbside	2	14"-15" Ride height
S-29802-1L	30c		Roadside	2	15.5"-17" Ride height
S-29802-1R	30d		Curbside	2	15.5"-17" Ride height
S-28531-3L	30e		Roadside	2	17.5"-19" Ride height
S-28531-3R	30f		Curbside	2	17.5"-19" Ride height
S-22948	31a	Air Spring	16" Ride height and above	4	Replaces C-21966
S-21800	31b		Below 16" Ride height	4	Replaces C-21800
S-22619/2	32a	Air Spring Mounting Kit (per air spring) - When model includes a cast, bolt-on pedestal under the air spring.	14" - 18" Ride height	4	Includes Spirallock nuts, pipe plug and flange nut
S-22630/2	32b		19" Ride height	4	Includes Spirallock nuts, pipe plug, air fitting and flange nut
B-22510-1	33		AIR SPRING SPACER - When model includes a cast, bolt-on pedestal under the air spring. (Not Shown)19" Ride height	4	1-1/8" spacer
S-27042	34		AIR SPRING MOUNTING PLATE	4	15.5" Ride height
S-27447-1	35a	Cast Air Spring Pedestal Kit - When model includes a cast, bolt-on pedestal under the air spring.	16" Ride height with 2" pedestal	2	Includes left and right side pedestals and fasteners
S-27447-2	35b		16.5" Ride height with 2.57" pedestal	2	Same as above
S-27447-3	35c		14" and 17" Ride height with 3.17" pedestal	2	Same as above
S-27447-4	35d		15", 15.5", 18" and 19" Ride height with 3.91" pedestal	2	Same as above
S-23566	36		SHOCK ABSORBER	4	Standard duty
S-24049/2	37		SHOCK BOLT KIT	4	Includes shear bolt, spacer, washers, and fasteners
S-27196	38		SHOCK SPACER	4	
C-23086-1	39		SHOCK STRAP KIT (Not Shown)	4	Includes (2) straps, (2) clevis and (4) ties
S-26321	40		TRI-FUNCTIONAL® PIVOT BUSHING KIT1	2	Narrow bushing, includes (2) bushings, (2) pivot bolt kits, (4) bushing tube spacers and lubricant pack
S-24705	41		QUIK-ALIGN® PIVOT BOLT KIT	4	Contains 7" bolt, nut and hardened washers
S-20924	42a	QUIK-ALIGN® Alignment Collar	Concentric (inner)	4	Pivot bolt hole is centered
S-20925	42b		Eccentric (outer)	4	Pivot bolt hole is offset from center
S-26807	43		BUSHING TUBE SPACER	8	Outer diameter dimension of TRI-FUNCTIONAL Bushing inner-metal is 2.6"; Inner hole dimension of bushing tube spacer 2.95"

SUSPENSION ASSEMBLY – HKAT 46K/HKA 200, WIDE BUSHING/STRAIGHT BEAM MODEL

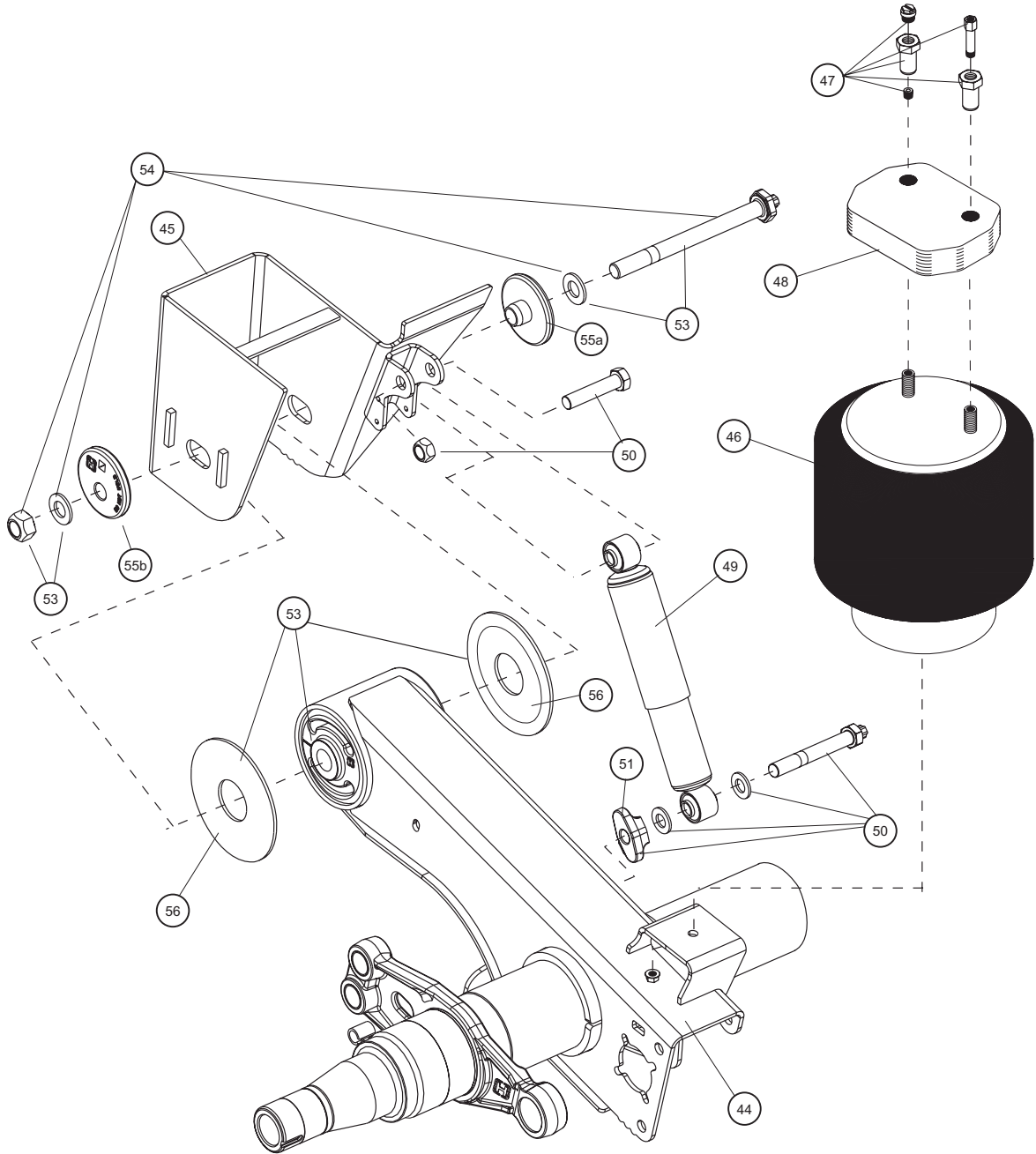


Table 2-22: Hendrickson VANTRAAX® HKANT 46K/ HKAT 46K/HKA200, Wide Bushing/Straight Beam Model

Part Number	Item No.	Assembly	Description	Qty.	Note
HTRAAX.###	44		HALFTRAAX™ AXLE/BEAM WELDMENT	2	Contact Hendrickson for assistance

Part Number	Item No.	Assembly	Description	Qty.	Note
D-21807-1	45a	Frame Bracket Assembly	Roadside	2	14"-15" RH
D-21807-2	45b		Curbside	2	14"-15" RH
S-21808-1	45c		Roadside	2	16"-17" RH
S-21808-2	45d		Curbside	2	16"-17" RH
D-21809-1	45e		Roadside	2	18"-19" RH
D-21809-2	45f		Curbside	2	18"-19" RH
S-21800	46a	Air Spring	14" - 15" Ride height	4	Replaces C-21800
S-22948	46b		16" - 19" Ride height	4	Replaces C-21966
S-22635/2	47a	Air Spring Mounting Kit (per air spring) - When model includes a 2", weld-on pedestal under the air spring.	14" and 16.5" Ride height	4	Includes Spirallock nuts, pipe plug and flange nut
S-22619/2	47b		16" Ride height	4	Same as above
S-22631/2	47c		15" and 18" Ride height	4	Includes Spirallock nuts, pipe plug, air fitting and flange nut
S-22630/2	47d		17" Ride height	4	Same as above
S-22632/2	47e		19" Ride height	4	Same as above
B-22510-4	48a		Air Spring Spacer- When model includes a 2", weld-on pedestal under the air spring.	14" and 16.5" Ride height	4
B-22510-2	48b	15" and 18" Ride height		4	1-7/8" spacer
B-22510-1	48c	17" Ride height		4	1-1/8" spacer
B-22510-3	48d	19" Ride height		4	3-1/8" spacer
S-23566	49		SHOCK ABSORBER	4	Standard duty
S-24049/2	50		SHOCK BOLT KIT	4	Includes shear bolt, spacer, washers, hex bolt and hex nut
S-27196	51		SHOCK SPACER	4	
C-23086-1	52		SHOCK STRAP KIT (Not Shown)	4	Includes (2) straps, (2) clevis and (4) ties
S-24691	53		TRI-FUNCTIONAL® PIVOT BUSHING KIT1	4	Wide bushing, includes (1) bushing, (1) pivot bolt kit, (2) bushing tube spacers and lubricant pack
S-24679	54		QUIK-ALIGN® PIVOT BOLT KIT	4	Contains 10" bolt, nut and hardened washers
S-20924	55a	QUIK-ALIGN® Alignment Collar	Concentric (inner)	4	Pivot bolt hole is centered
S-20925	55b		Eccentric (outer)	4	Pivot bolt hole is offset from center
S-21099	56		BUSHING TUBE SPACER	8	Outer diameter dimension of TRI-FUNCTIONAL Bushing inner-metal is 2.2"; Inner hole dimension of bushing tube spacer 2.38"

## HENDRICKSON – SLIDER AIR CONTROL ACCESSORIES

Table 2-23: Hendrickson – Slider Air Control Accessories

Part Number	Item No.	Description	Qty.	Note
VS-227	1	Universal Non-Delay Height Control Valve	1	All applications.
VS-228	2	Height Control Valve with Integral Pump	1	All suspension systems.
AKH-181-3	3	Height Control Valve Kit	1	Complete HCV, PPV and hardware.
AKHD-203-3	4	Height Control Valve Kit w/ Dump Valve	1	Complete HCV, PPV, dump valve and hardware.
AKQD1001	5	QUIK-DRAW® control (Fiberglass box)	1	
AKQD1002	6	QUIK-DRAW® and manual dump control (Fiberglass box)	1	
AKQD1005	7	QUIK-DRAW® load scale and manual dump control (Fiberglass box)	1	
VS-25223	8	QUIK-DRAW® Three Way Auto Reset Valve	1	
VS-25224	9	QUIK-DRAW® Three Way Auto Reset Valve Assmely	1	With fittings.
B-25284	10	QUIK-DRAW® Valve Spacer	1	
S-24232	11a	Air Tank Bolt Kit, 42" box width	1	Includes spacers, isolation pads, flanged screws and nuts.
S-23655	11b	Air Tank Bolt Kit, 48" and 54" box width	1	Same as above.
VS-27116	12a	Dock Stabilizing Technology TM (DST®), Differential Dump Valve	1	
VS-27365	12b	Dock Stabilizing Technology TM (DST®), Differential Dump Valve with Fittings	1	
VS-27364	12c	Dock Stabilizing Technology TM (DST®), Upper HCV Bracket	1	
VS-27366	12d	Dock Stabilizing Technology TM (DST®), Link Kit - Fixed	1	
VS-26988-1	13a	DST Retrofit Kit, For VANTRAAX® HKANT 40K Models & HKA180 16" Ride Height Model	1	With cast, bolt-on air spring pedestal.
VS-26988-2	13b	DST Retrofit Kit, For HKA180 17" Ride Height Model	1	
VS-22535	14a	SURELOK® Air Control, Three-way Ball Valve	1	Manual Bypass: allows you to completely bypass SURELOK, meaning the legs are disengaged and not functioning.
VS-23588	14b	SURELOK® Air Control, Three-way Air Piloted Valve	1	Manual Bypass with Dump: allows you to completely bypass SURELOK and fully exhaust the trailer's air suspension. Order 14a, b, & c.
VS-24988	14c	SURELOK® Air Control, Two-way Check Valve	1	Manual Bypass with Dump: allows you to completely bypass SURELOK and fully exhaust the trailer's air suspension. Order 14a, b, & c.
VS-24053	14d	Three-way Pilot Valve	1	Specialized Auto Dump - AKSL0001: allows SURELOK to engage, then exhausts the trailer's air suspension to rest the SURELOK legs on the suspension beams.
A-27314-1	14e	Choke, 1/8" NPT	1	Specialized Auto Dump - AKSL0001: allows SURELOK to engage, then exhausts the trailer's air suspension to rest the SURELOK legs on the suspension beams.
VS-22535	14f	Three-way Ball Valve	1	Manual Bypass with Specialized Auto Dump: allows you to completely bypass SURELOK, OR allows SURELOK to engage, then exhausts the trailer's air suspension to rest the SURELOK legs on the suspension beams.

<i>Part Number</i>	<i>Item No.</i>	<i>Description</i>	<i>Qty.</i>	<i>Note</i>
VS-24053	14g	Three-way Pilot Valve	1	Manual Bypass with Specialized Auto Dump: allows you to completely bypass SURELOK, OR allows SURELOK to engage, then exhausts the trailer's air suspension to rest the SURELOK legs on the suspension beams.
EKBA0001	15	Back Up Alarm Kit		Independent of tractor or ABS system. Includes alarm, wiring harness, direction sensor and control unit.

# SHOCK ABSORBERS

## ROADLEVELER SHOCK ABSORBERS



Fleetline



Gas SLX

Table 2-24: RoadLeveler Shock Absorbers

Part Number	Description	Bore	Extended Length	Collapsed Length	Stroke	Rebound (lbs.)	Compression (lbs.)
646155	Shocks for Special Applications	1-3/16"	22.45	14.10	8.35		
665632	Truckmaster	1-5/8"	29.75	17.72	12.03	733	167
665785	Truckmaster	1-5/8"	30.01	18.11	11.91	732	160
680279	Truckmaster	1-5/8"	29.74	17.83	11.91	1020	279
83125	FleetLine	1-3/8"	28.12	17.13	10.99	625	115
83128	FleetLine	1-3/8"	16.87	11.51	5.37	940	218
83130	FleetLine	1-3/8"	17.99	12.01	5.99	871	177
83137	FleetLine	1-3/8"	30.03	17.78	12.25	517	132
83203	FleetLine	1-3/8"	17.1	11.36	5.74	609	114
83209	FleetLine	1-3/8"	29.64	17.61	12.03	670	78
85000	FleetLine	1-5/8"	17.22	11.46	5.76	1019	219
85005	FleetLine	1-5/8"	24.74	15.21	9.53	1019	219
85006	FleetLine	1-5/8"	28.5	17.09	11.41	1019	219
85013	FleetLine	1-5/8"	29.74	17.71	12.03	1019	219
85029	FleetLine	1-5/8"	20.5	13.09	7.41	1019	219
85043	FleetLine	1-5/8"	27.63	16.85	10.78	628	163
85045	FleetLine	1-5/8"	14.51	10.10	4.41	1020	219
85052	FleetLine	1-5/8"	13.25	9.47	3.78	1019	139
85064	FleetLine	1-5/8"	16.01	10.72	5.28	1481	340
85323	FleetLine	1-5/8"	17.36	11.58	5.78	1085	163
85909	FleetLine	1-5/8"	24.24	15.13	9.11	700	255
85919	FleetLine	1-5/8"	22.48	14.25	8.23	1265	121
85938	FleetLine	1-5/8"	16.06	10.78	5.28	1581	432
89401	RoadLeveler GS	1-5/8"	28.41	17.16	11.25	665	194
89414	RoadLeveler GS	1-5/8"	29.62	18.04	11.58	1045	217
89430	RoadLeveler GS	1-5/8"	24.74	15.54	9.53	1462	279
89436	RoadLeveler GS	1-5/8"	17.24	11.91	5.33	998	217

# CROSS REFERENCE

## AIR SPRING CROSS REFERENCE

Table 2-25: Air Spring Cross Reference

Mfg. Part Number	TRP Part Number
------------------	-----------------

### BLUE BIRD CORP

12TA-1-2	AS90390
300-961250	AS90390

### CONTITECH

64260	AS90390
64267	AS69100
64268	AS74100
64272	AS91210
64281	AS93940
64329	AS92430
64383	AS93700
64386	AS92950
64388	AS92930
64394	AS95800
64395	AS96400
64397	AS87550
64401	AS89440
64402	AS99210
64412	AS99350
64421	AS80910
64439	AS93070
64456	AS82040
64488	AS74030
64509	AS69020
64510	AS69050
64543	AS71350
64602	AS77950
64624	AS87090
64636	AS87130
64638	AS87080
64645	AS87090
64745	AS80500

Mfg. Part Number	TRP Part Number
160994	AS80500
161000	AS90390
161008	AS69100
161009	AS74100
161018	AS91210
161027	AS93940
161079	AS92430
161142	AS93700
161146	AS92950
161148	AS92930
161157	AS95800
161158	AS96400
161163	AS87550
161167	AS89440
161168	AS99210
161179	AS99350
161189	AS80910
161216	AS93070
161234	AS82040
161270	AS74030
161292	AS69020
161293	AS69050
161326	AS71350
161385	AS77950
161417	AS87090
161431	AS87130
161433	AS87080
161442	AS87090
161455	AS80500
161582	AS80500
10 10.5-15 P 460	AS87090
10 10-15 S 522	AS87550
10 10-16 S 460	AS87090
10 10-16 S 522	AS87550
10 10-16 S 526	AS87080
10 10-16 S 533	AS87130
10 10-17.5 S 526	AS87080
10 10-17.5 S 533	AS87130
10 10-21 P 434	AS95800
10 10-21 P 434	AS95800
11 10.5-17 A 317	AS91210
11 10.5-17 A 317	AS91210
11 10.5A-16 P 523	AS80910
11 10.5C-16 A 782	AS80500

Mfg. Part Number	TRP Part Number
11 10.5E-16 A 320	AS80500
11 10.5E-16 A 523	AS80910
9 10-10 P 311	AS90390
9 10-10 P 311	AS90390
9 10-10 P 471	AS93070
9 10-10 P 471	AS93070
9 10-12 A 427	AS96400
9 10-12 A 427	AS96400
9 10-12 P 484	AS82040
9 10-12 P 484	AS82040
9 10-17.5 P 436	AS89440
9 10-17.5 P 436	AS89440
9 10-17.5 P 443	AS99210
9 10-17.5 P 443	AS99210
9 10-17.5 P 548	AS99350
9 10-17.5 P 548	AS99350
9 10-19 A 358	AS93940
9 10-19 P 383	AS93940
9 10-19 P 384	AS92430
9 10-19 P 384	AS92430
9 10-21 P 448	AS93700
9 10-21 P 448	AS93700
9 9K-15 P 417	AS92950
9 9K-15 P 417	AS92950
9 9K-15 P 424	AS92930
9 9K-15 P 424	AS92930
FD 200-19 310	AS69020
FD 200-19 315	AS69050
FD 200-19 320	AS69100
FD 200-19 524	AS77950
FD 200-19 713	AS77950
FD 330-22 318	AS74030
FD 330-22 318	AS74030
FD 330-22 331	AS74100
FD 330-22 331	AS74100
FD 530-22 311	AS71350
FD 530-22 311	AS71350

### DINA

A-8127-19	AS69100
-----------	---------

### EVELEY

RA 1990-1	AS71350
-----------	---------

### E-Z RIDE

8030120	AS69050
---------	---------



Mfg. Part Number	TRP Part Number
------------------	-----------------

**FABTEK**

101827	AS90390
--------	---------

**FIRESTONE**

8708	AS87080
W01-006-6902	AS69020
W01-006-6905	AS69050
W01-006-6910	AS69100
W01-358-6902	AS69020
W01-358-6902	AS69020
W01-358-6905	AS69050
W01-358-6905	AS69050
W01-358-6910	AS69100
W01-358-6910	AS69100
W01-358-6910	AS69100
W01-358-7135	AS71350
W01-358-7135	AS71350
W01-358-7403	AS74030
W01-358-7403	AS74030
W01-358-7410	AS74100
W01-358-7410	AS74100
W01-358-7795	AS77950
W01-358-7795	AS77950
W01-358-8050	AS80500
W01-358-8050	AS80500
W01-358-8091	AS80910
W01-358-8091	AS80910
W01-358-8204	AS82040
W01-358-8204	AS82040
W01-358-8708	AS87080
W01-358-8708	AS87080
W01-358-8709	AS87090
W01-358-8709	AS87090
W01-358-8713	AS87130
W01-358-8713	AS87130
W01-358-8751	AS87090
W01-358-8755	AS87550
W01-358-8755	AS87550
W01-358-8944	AS89440
W01-358-8944	AS89440
W01-358-9015	AS89440
W01-358-9039	AS90390
W01-358-9039	AS90390
W01-358-9121	AS91210
W01-358-9121	AS91210

Mfg. Part Number	TRP Part Number
------------------	-----------------

W01-358-9243	AS92430
W01-358-9243	AS92430
W01-358-9262	AS95800
W01-358-9293	AS92930
W01-358-9293	AS92930
W01-358-9295	AS92950
W01-358-9295	AS92950
W01-358-9307	AS93070
W01-358-9307	AS93070
W01-358-9370	AS93700
W01-358-9370	AS93700
W01-358-9370	AS93700
W01-358-9394	AS93940
W01-358-9394	AS93940
W01-358-9580	AS95800
W01-358-9580	AS95800
W01-358-9630	AS96400
W01-358-9640	AS96400
W01-358-9640	AS96400
W01-358-9640	AS96400
W01-358-9921	AS99210
W01-358-9921	AS99210
W01-358-9935	AS99350
W01-358-9935	AS99350

**FLAGG SUSPENSION**

8526	AS87080
------	---------

**FLXIBLE**

6-336-202	AS90390
-----------	---------

**FREIGHTLINER**

16-11378-000	AS74100
16-11378-000	AS74100

**FREUHAUF**

UCD-9393-2	AS93940
UCE-9393-2	AS93940

**GOODYEAR**

1R10120	AS92930
1R10-120	AS92930
1R10-120	AS92930
1R11166	AS92950
1R1-1166	AS92950
1R11-166	AS92950
1R11-166	AS92950
1R12-081	AS95800
1R12095	AS90390

Mfg. Part Number	TRP Part Number
------------------	-----------------

1R12-095	AS90390
1R12-095	AS90390
1R12-095	AS93070
1R12261	AS93940
1R12-261	AS93940
1R12279	AS93940
1R12-279	AS93940
1R12-281	AS93940
1R12366	AS89440
1R12-366	AS89440
1R12-366	AS89440
1R12-367	AS96400
1R12-367	AS96400
1R12435	AS93070
1R12-435	AS93070
1R12-435	AS93070
1R12480	AS92430
1R12-480	AS92430
1R12-480	AS92430
1R12502	AS99210
1R12-502	AS99210
1R12-502	AS99210
1R12508	AS82040
1R12-508	AS82040
1R12-508	AS82040
1R12-522	AS82040
1R12532	AS99350
1R12-532	AS99350
1R12-532	AS99350
1R12580	AS93700
1R12-580	AS93700
1R12-580	AS93700
1R13039	AS91210
1R13-039	AS91210
1R13-039	AS91210
1R13049	AS91210
1R13-049	AS91210
1R13067	AS91210
1R13-067	AS91210
1R13103	AS87090
1R13-103	AS87090
1R13118	AS95800
1R13-118	AS95800
1R13-118	AS95800

Mfg. Part Number	TRP Part Number
1R13124	AS87550
1R13-124	AS87550
1R13-124	AS87550
1R13140	AS87130
1R13-140	AS87130
1R13159	AS87090
1R13-159	AS87090
1R13-159	AS87090
1R13-176	AS87130
1R13177	AS87080
1R13-177	AS87080
1R13-177	AS87080
1R14039	AS80500
1R14-039	AS80500
1R14-039	AS80500
1R14-039	AS91210
1R14171	AS80910
1R14-171	AS80910
1R14-171	AS80910
2B10226	AS77950
2B1-0226	AS77950
2B10-226	AS77950
2B10-226	AS77950
2B12307	AS74030
2B12-307	AS74030
2B12-307	AS74030
2B12406	AS74100
2B12-406	AS74100
2B12-406	AS74100
2B14360	AS71350
2B14-360	AS71350
2B14-360	AS71350
2B9200	AS69100
2B9-200	AS69100
2B9-200	AS69100
2B9201	AS69020
2B9-201	AS69020
2B9206	AS69050
2B9-206	AS69050
2B9-206	AS69050
2B9239	AS69020
2B9-239	AS69020
2B9-239	AS69020
AB1R13-177	AS87080

Mfg. Part Number	TRP Part Number
<b>GRANNING SUSPENSIONS</b>	
1371	AS69100
1371	AS69100
2725	AS74030
2725	AS74030
2726	AS69100
4848	AS69020
4848	AS69020
8896	AS92930

<b>HENDRICKSON</b>	
1159	AS74030
2064	AS90390
2630	AS69020
2878	AS77950
2883	AS74030
3317	AS77950
3518	AS69050
4375	AS93940
4771	AS80500
5270	AS69050
8768	AS69100
10170	AS74100
11650	AS90390
13160	AS91210
14486	AS77950
20127	AS95800
20217	AS89440
20217	AS89440
20900	AS87090
20901	AS80910
21623	AS87550
21784	AS80910
21800	AS87090
21800	AS87090
21966	AS87080
22045	AS87550
22948	AS87130
23114	AS77950
12514-001	AS74030
12514-013	AS80500
12514-014	AS71350
3317 (metric)	AS77950
45843-1	AS69050

Mfg. Part Number	TRP Part Number
45843-1	AS69050
45843-3	AS69100
45843-3	AS69100
B-11650	AS93070
B-14486	AS77950
B-2064	AS93070
C-20901	AS80910
HT-S21966	AS87080
S-10170	AS74100
S103522	AS93940
S-1159	AS74030
S-11650	AS90390
S-11650	AS90390
S-12514-014	AS71350
S-12514-014	AS71350
S-14486	AS77950
S-20127	AS95800
S-20127	AS95800
S-20217	AS89440
S-20223	AS96400
S-20223	AS96400
S-20414	AS95800
S-2064	AS90390
S-2064	AS90390
S-20901	AS80910
S-21623	AS87550
S-21784	AS80910
S-21800	AS87090
S21966	AS87080
S-21966	AS87080
S-22045	AS87550
S-22045	AS87550
S22948	AS87130
S-22948	AS87130
S-2630	AS69020
S-3411	AS91210
S-3518	AS69050
S-4771	AS80500
S-4771	AS80500
S-5270	AS69050
S-8768	AS69100

**HOLLAND**

90557010	AS91210
90557019	AS91210

Mfg. Part Number	TRP Part Number
90557052	AS91210
90557078	AS91210
90557083	AS91210
90557110	AS91210
90557112	AS92430
90557117	AS99210
90557120	AS92930
90557121	AS92950
90557129	AS93070
90557157	AS99350
90557173	AS82040
90557223	AS82040
90557301	AS99350
90557324	AS91210

**HOLLAND BINKLEY**

XB-SPN-053-37	AS82040
---------------	---------

**HUTCHENS IND**

H-9424-01	AS90390
H-9424-03	AS90390

**LOAD GUARD**

SC2010	AS69020
SC2011	AS69100
SC2013	AS71350
SC2021	AS74030
SC2023	AS74100
SC2033	AS90390
SC2040	AS91210
SC2052	AS80500
SC2071	AS69050
SC2108	AS93940
SC2756	AS89440
SC2758	AS96400
SC2761	AS95800

**NAVISTAR**

1681579C1	AS93940
1685174C1	AS80500
1685175C1	AS69050
554766C1	AS90390
554773C1	AS91210
554783C1	AS69100
554784C1	AS69020
554787C1	AS74030

Mfg. Part Number	TRP Part Number
554792C1	AS74100
554800C1	AS71350
570-07-403	AS74030
570-07-410	AS74100
570-08-050	AS80500
905-57-001	AS71350
905-57-011	AS90390
905-57-019	AS91210
905-57-112	AS92430
905-57-117	AS99210
905-57-120	AS92930
905-57-121	AS92950
905-57-129	AS93070
905-57-157	AS99350
905-57-173	AS82040
905-57-223	AS82040

**NEWAY**

90044199	AS90390
570-06-902	AS69020
570-06-905	AS69050
570-06-910	AS69100
570-07-403	AS74030
570-07-410	AS74100
570-08-050	AS80500
905-57-001	AS71350
905-57-010	AS91210
905-57-011	AS90390
905-57-019	AS91210
905-57-023	AS90390
905-57-052	AS91210
905-57-078	AS91210
905-57-083	AS91210
905-57-085	AS90390
905-57-110	AS91210
905-57-112	AS92430
905-57-117	AS99210
905-57-120	AS92930
905-57-121	AS92950
905-57-129	AS93070
905-57-157	AS99350
905-57-173	AS82040
905-57-223	AS82040
905-57-301	AS99350
905-57-324	AS91210

Mfg. Part Number	TRP Part Number
------------------	-----------------

**PRÉVOST CAR**

63-0173	AS69100
---------	---------

**R&S TRUCK**

1027405	AS69100
1027505	AS69020
1040201	AS74030
1090023	AS91210
1090201	AS74030
1090218	AS90390
1090702	AS93940

**RAYDEN MANUFACTURING**

211-00-010	AS90390
------------	---------

**REYCO**

12882-02	AS91210
17360-01	AS93070
23631-01	AS80500

**RIDEWELL CORP**

1003586902C	AS69020
1003586905C	AS69050
1003586910C	AS69100
1003587135C	AS71350
1003587403C	AS74030
1003589039C	AS90390
1003589121C	AS91210
1013589039C	AS90390
S-2061-C	AS90390
S-4302	AS74030
S-5356-C	AS90390
S-5356-C	AS93070

**ROADLEVELER**

RL69020	AS69020
RL69050	AS69050
RL69100	AS69100
RL71350	AS71350
RL74030	AS74030
RL74100	AS74100
RL77950	AS77950
RL80500	AS80500
RL80910	AS80910

Mfg. Part Number	TRP Part Number
RL82040	AS82040
RL87080	AS87080
RL87090	AS87090
RL87130	AS87130
RL87550	AS87550
RL89440	AS89440
RL90390	AS90390
RL91210	AS91210
RL92430	AS92430
RL92930	AS92930
RL92950	AS92950
RL93070	AS93070
RL93700	AS93700
RL93940	AS93940
RL95800	AS95800
RL96400	AS96400
RL99210	AS99210
RL99350	AS99350

**SILENT DRIVE, INC.**

AS-6882	AS69050
---------	---------

**SPRING VALLEY**

AS-4315	AS69050
---------	---------

**SUSPENSIONS INC.**

200041	AS93940
200457	AS90390
2002-42	AS69020

**TRIANGLE SUSPENSION**

4310	AS69020
4311	AS71350
4315	AS69050
4318	AS74030
4320	AS69100
4331	AS74100
4524	AS77950
8311	AS90390
8317	AS91210
8320	AS80500
8358	AS93940
8383	AS93940
8384	AS92430
8417	AS92950
8424	AS92930

Mfg. Part Number	TRP Part Number
8427	AS96400
8434	AS95800
8436	AS89440
8443	AS99210
8448	AS93700
8460	AS87090
8471	AS93070
8484	AS82040
8522	AS87550
8523	AS80910
8526	AS87080
8533	AS87130
8548	AS99350

**TRUCKSTELL**

63641	AS71350
63644	AS71350

**VOLVO**

85101146	AS69050
85101153	AS90390
85101158	AS74100
85101159	AS91210

**WATSON & CHALIN**

AS-0001	AS69100
AS-0002	AS69020
AS-0007	AS74030
AS-0012	AS90390
AS-0020	AS69050
AS-0039	AS80500
AS-0057	AS93700
AS-0057	AS93700
AS-0061	AS92430
AS-0083	AS91210
AS-0090	AS99210

**NOTES**

A large grid area for taking notes, consisting of many small squares. The grid is approximately 30 columns wide and 40 rows high, providing a structured space for handwritten notes or calculations.



*For information, updates, or corrections,  
please contact us at [support@trpparts.com](mailto:support@trpparts.com).*

*No part of this marketing material may be  
reproduced in any manner without written  
permission from TRP North America.*

**TRP North America**

750 Houser Way N.  
Renton, WA 98057

[www.trpparts.com](http://www.trpparts.com)

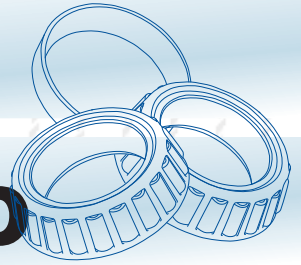


Parts for all brands of trailers.

**3**

**TRAILER PARTS**

# WHEEL END



*Proven, reliable and  
always innovative.*

TRP® offers reliable aftermarket products that are designed and tested to exceed customers' expectations regardless of the trailer make, model or age.

## WHEEL END Seals, Bearings, Hardware & Cross Reference





**Tested. Reliable. Guaranteed.**

## Wheel End

Choosing the right replacement part or service for your vehicle—whether you own one, or a fleet—is one of the most important decisions you can make for your business. And, with tested TRP® parts it's an easy decision.

Regardless of the make you drive, TRP quality replacement parts are engineered to fit your truck, trailer or bus. Choose the parts that give you the best value for your business. Check them out at an approved TRP retailer near you.

*The cross reference information in this catalog is based upon data provided by several industry sources and our partners. While every attempt is made to ensure the information presented is accurate, we can bear no liability due to incorrect or incomplete information.*

### Product Availability

*Due to border issues and market demands, not all products are always available in every location. Check for availability in your area with your local TRP® Distributor.*

*No part of this marketing material may be reproduced in any manner without written permission from TRP North America.*

## CONTENTS

### WHEEL SEALS

<u>TRP® Axle Seals</u> .....	3-4
<u>SKF Axle Seals</u> .....	3-5

### BEARINGS

<u>TRP® Tapered Roller Bearings</u> .....	3-6
<u>TRP® Tapered Roller Bearing Sets</u> .....	3-8
<u>SKF Bearing Sets &amp; Hubcaps</u> .....	3-8

### HARDWARE

<u>Nuts &amp; Studs</u> .....	3-9
-------------------------------	-----

### TRP North America

750 Houser Way N.  
Renton, WA 98057

[www.trpparts.com](http://www.trpparts.com)



## CROSS REFERENCE

### Seal & Bearing . . . . . 3-14

SKF\CR . . . . . 3-14

Dana / Spicer . . . . . 3-14

Federal Mogul . . . . . 3-14

NTN Bearings . . . . . 3-14

Paceline . . . . . 3-14

Stemco . . . . . 3-14

Timken . . . . . 3-15

### Hardware – Nuts &

### Studs . . . . . 3-15

Alcoa . . . . . 3-15

ArvinMeritor . . . . . 3-15

Batco . . . . . 3-16

Budd Wheel Co . . . . . 3-17

BWP . . . . . 3-17

Consolidated Metal Inc 3-18

Dana / Spicer . . . . . 3-18

Euclid . . . . . 3-18

Freightliner . . . . . 3-19

Fruehauf . . . . . 3-19

General Trailer Parts . . 3-19

Great Dane . . . . . 3-19

Gunite . . . . . 3-19

Hayes Lemmerz . . . . . 3-20

Inline . . . . . 3-20

Kenworth . . . . . 3-21

Leland Brake Parts . . . 3-21

Mack . . . . . 3-22

Marmon-Herrington . . . 3-22

Metform . . . . . 3-22

Midland Grau . . . . . 3-22

Midwest . . . . . 3-22

MotorWheel . . . . . 3-23

National Wheel & Rim . 3-23

Navistar . . . . . 3-23

NSS Industries . . . . . 3-23

Peterbilt . . . . . 3-24

Pines Trailer DDS . . . . 3-24

Sirco Brake . . . . . 3-24

Strick . . . . . 3-24

Trailmobile . . . . . 3-24

Transcraft . . . . . 3-24

Transit Parts . . . . . 3-24

Webb Wheel . . . . . 3-24



# WHEEL SEALS



## TRP® AXLE SEALS

Table 3-1: Wheel Seals – TRP

Part Number	Description	Shaft		Bore		O.D.		Width	
		Inches	MM	Inches	MM	Inches	MM	Inches	MM
SW40136	Trailer Axle Seal, Nitrite (4.000 x 5.754 x 5.759 x 1.079)	4.0000	101.600	5.7540	146.152	5.7590	146.279	1.0790	27.407
SW370065A	Trailer Axle Seal, Nitrite, TP Series (4.250 x 6.008 x 6.022 x 1.000)	4.2500	107.950	6.0080	152.603	6.0220	152.959	1.0000	25.400
SW42623	Trailer Axle Seal, Nitrite, TP Series (4.250 x 6.009 x 6.014 x 0.984)	4.2500	107.950	6.0090	152.629	6.0140	152.756	0.9840	24.994
SW42622	Trailer Axle Seal, Nitrite, TP Series (4.250 x 6.009 x 6.025 x 0.971)	4.2500	107.950	6.0090	152.629	6.0250	153.035	0.9710	24.663
SW370025A	Trailer Axle Seal, Nitrite (4.625 x 5.999 x 6.008 x 0.840)	4.6250	117.475	5.9990	152.375	6.0080	152.603	0.8400	21.336
SW46305	Trailer Axle Seal, Nitrite (4.625 x 6.001 x 6.006 x 1.063)	4.6250	117.475	6.0010	152.425	6.0060	152.552	1.0630	27.000

## SKF AXLE SEALS



Scotseal Classic



Scotseal Plus XL



TNSK1/2

Table 3-2: Wheel Seals – SKF

Part Number	Description	Application
TNSK1	Complete rebuild kit (oil bath)	46300, SET431SKF, SET427SKF, 1643CHR
TNSK2	Complete rebuild kit (grease)	46300, SET431SKF, SET427SKF, 1343CHR
40136	Scotseal Classic	Dana Spicer, Rockwell, Eaton, Standard Forge
42623	Scotseal Classic	Fruehauf, Rockwell (TP series)
43752	Scotseal Classic	Rockwell, Eaton
46305	Scotseal Classic	Dana Spicer, Rockwell, Eaton, Standard Forge
42631CHR	Scotseal LongLife	Fruehauf, Rockwell (TP series)
46308CHR	Scotseal LongLife	Dana Spicer, Rockwell, Eaton, Standard Forge
40129	ScotSeal Plus XL	Dana Spicer, Rockwell, Eaton, Standard Forge
42627	ScotSeal Plus XL	Fruehauf, Rockwell (TP series)
43754	ScotSeal Plus XL	Rockwell, Eaton
46300	ScotSeal Plus XL	Dana Spicer, Rockwell, Eaton, Standard Forge

Information provided by SKF.

# BEARINGS

## TRP® TAPERED ROLLER BEARINGS

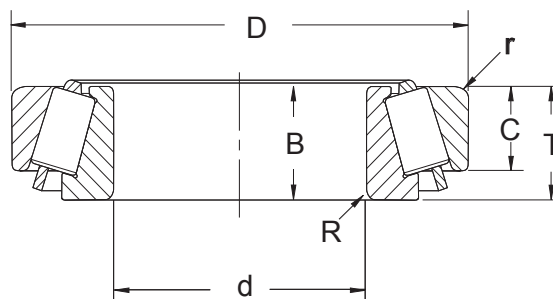


Table 3-3: Wheel Bearings – TRP® Tapered Roller Bearing Cones

Part Number	Description	Included in Set	Bore	Width (B)	Fillet (R)
BW3782	Tapered Roller Bearing Cone (1.7500 x 1.1930)	BWSET406	1.7500" 44.450mm	1.1930" 30.302mm	0.14" 3.5mm
BW39590	Tapered Roller Bearing Cone (2.6250 x 1.1875)	—	2.6250" 66.675mm	1.1875" 30.162mm	0.14" 3.5mm
BW555S	Tapered Roller Bearing Cone (2.2500 x 1.4440)	BWSET424	2.2500" 57.150mm	1.4440" 36.678mm	0.14" 3.5mm
BW580	Tapered Roller Bearing Cone (3.2500 x 1.4212)	BWSET401	3.2500" 82.550mm	1.4212" 36.098mm	0.14" 3.5mm
BW594	Tapered Roller Bearing Cone, 0.14 Fillet (3.7500 x 1.4300)	—	3.7500" 95.250mm	1.4300" 36.322mm	0.14" 3.5mm
BW594A	Tapered Roller Bearing Cone, 0.20 Fillet (3.7500 x 1.4300)	BWSET403	3.7500" 95.250mm	1.4300" 36.322mm	0.20" 4.0mm
BW598A	Tapered Roller Bearing Cone (3.6250 x 1.4300)	BWSET404	3.6250" 92.075mm	1.4300" 36.322mm	0.25" 6.4mm
BW6461A	Tapered Roller Bearing Cone, 0.38 Fillet (3.0000 x 2.1350)	BWSET423	3.0000" 76.200mm	2.1350" 54.229mm	0.38" 9.7mm
BW663	Tapered Roller Bearing Cone (3.2500 x 1.6250)	BWSET405	3.2500" 82.550mm	1.6250" 41.275mm	0.14" 3.5mm
BWHM212049	Tapered Roller Bearing Cone (2.6250 x 1.5100)	BWSET413	2.6250" 66.675mm	1.5100" 38.354mm	0.14" 3.5mm
BWHM218248	Tapered Roller Bearing Cone (3.5423 x 1.5748)	BWSET414	3.5423" 89.974mm	1.5748" 40.000mm	0.28" 7.0mm
BWHM518445	Tapered Roller Bearing Cone (3.5000 x 1.5625)	BWSET415	3.5000" 88.900mm	1.5625" 39.688mm	0.25" 6.4mm

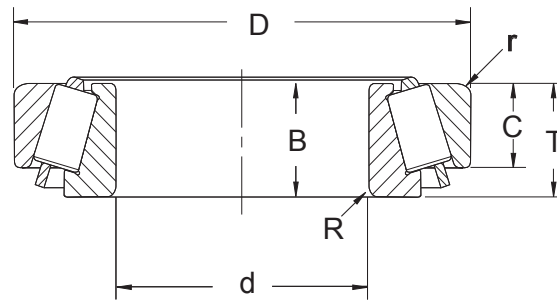


Table 3-4: Wheel Bearings – TRP® Tapered Roller Bearing Cups

Part Number	Description	Included in Set	O.D. (D)	Width (C)	Fillet (r)	Width (T)
BW29620	Tapered Roller Bearing Cup (4.4375 x 0.7500/1.0000)	—	4.4375" 112.712mm	0.7500" 19.050mm	0.13" 3.3mm	1.0000" 25.400mm
BW3720	Tapered Roller Bearing Cup (3.6718 x 0.9375/1.1875)	BWSET406	3.6718" 93.264mm	0.9375" 23.812mm	0.13" 3.3mm	1.1875" 30.162mm
BW39520	Tapered Roller Bearing Cup (4.4375 x 0.9375/1.1875)	—	4.4375" 112.712mm	0.9375" 23.812mm	0.13" 3.3mm	1.1875" 30.162mm
BW552A	Tapered Roller Bearing Cup (4.8750 x 1.1875/1.5000)	BWSET424	4.8750" 123.825mm	1.1875" 30.162mm	0.13" 3.3mm	1.5000" 38.100mm
BW572	Tapered Roller Bearing Cup (5.5115 x 1.1250/1.4375)	BWSET401	5.5115" 139.992mm	1.1250" 28.575mm	0.13" 3.3mm	1.4375" 36.513mm
BW592A	Tapered Roller Bearing Cup (6.0000 x 1.1875/1.5625)	BWSET403, BW- SET404	6.0000" 152.400mm	1.1875" 30.162mm	0.13" 3.3mm	1.5625" 39.688mm
BW6420	Tapered Roller Bearing Cup (5.8750 x 1.7500/2.1250)	BWSET423	5.8750" 147.225mm	1.7500" 44.450mm	0.13" 3.3mm	2.1250" 53.975mm
BW653	Tapered Roller Bearing Cup (5.7500 x 1.2500/1.5000)	BWSET405	5.7500" 146.050mm	1.2500" 31.750mm	0.13" 3.3mm	1.5000" 38.100mm
BWHM212011	Tapered Roller Bearing Cup (4.8125 x 1.1700/1.5000)	BWSET413	4.8125" 122.238mm	1.1700" 29.718mm	0.13" 3.3mm	1.5000" 38.100mm
BWHM218210	Tapered Roller Bearing Cup (5.7864 x 1.2795/1.5748)	BWSET414	5.7864" 146.975mm	1.2795" 32.500mm	0.14" 3.5mm	1.5748" 40.000mm
BWHM518410	Tapered Roller Bearing Cup (6.0000 x 1.1875/1.5625)	BWSET415	6.0000" 152.400mm	1.1875" 30.162mm	0.13" 3.3mm	1.5625" 39.688mm

## TRP® TAPERED ROLLER BEARING SETS

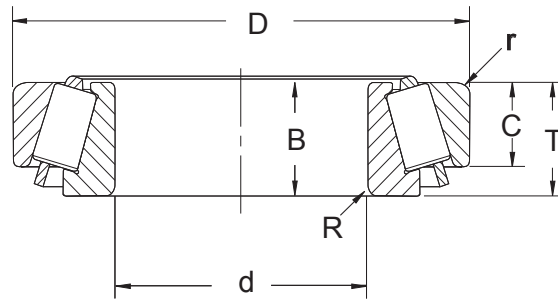


Table 3-5: Wheel Bearings – TRP® Tapered Roller Bearing Sets

Part Number	Description	Cone/Cup	Bore	O.D. (D)	Width (B)	Width (C)	Fillet (R)	Fillet (r)	Width (T)
BWSET411	Tapered Roller Bearing Set, 47686/47620 (3.2500 x 5.2500 x 1.3100)	47686, 47620	3.2500" 82.550mm	5.2500" 133.350mm	1.3125" 33.338mm	1.0313" 26.195mm	0.14" 3.5mm	0.13" 3.3mm	1.3125" 33.338mm
BWSET413	Tapered Roller Bearing Set, BWHM212049/BWHM212011 (2.6250 x 4.8125 x 1.5100)	BWHM212049, BWHM212011	2.6250" 66.675mm	4.8125" 122.238mm	1.5100" 38.354mm	1.1700" 29.718mm	0.14" 3.5mm	0.13" 3.3mm	1.5000" 38.100mm
BWSET414	Tapered Roller Bearing Set, BWHM218248/BWHM218210 (3.5423 x 5.7864 x 1.5748)	BWHM218248, BWHM218210	3.5423" 89.974mm	5.7864" 146.975mm	1.5748" 40.000mm	1.2795" 32.500mm	0.28" 7.0mm	0.14" 3.5mm	1.5748" 40.000mm
BWSET415	Tapered Roller Bearing Set, BWHM518445/BWHM518410 (3.5000 x 6.0000 x 1.5625)	BWHM518445, BWHM518410	3.5000" 88.900mm	6.0000" 152.400mm	1.5625" 39.688mm	1.1875" 30.162mm	0.25" 6.4mm	0.13" 3.3mm	1.5625" 39.688mm
BWSET423	Tapered Roller Bearing Set, P111 Ball Bearings, BW6461A/BW6420 (3.0000 x 5.8750 x 2.1350)	BW6461A, BW6420	3.0000" 76.200mm	5.8750" 147.225mm	2.1350" 54.229mm	1.7500" 44.450mm	0.38" 9.7mm	0.13" 3.3mm	2.1250" 53.975mm
BWSET424	Tapered Roller Bearing Set, P111 Ball Bearings, BW555S/BW552A (2.2500 x 4.8750 x 1.5000)	BW555S, BW552A	2.2500" 57.150mm	4.8750" 123.825mm	1.4440" 36.678mm	1.1875" 30.162mm	0.14" 3.5mm	0.13" 3.3mm	1.5000" 38.100mm

## SKF BEARING SETS &amp; HUBCAPS

Table 3-6: Tapered Roller Bearings &amp; Hubcaps – SKF

Part Number	Description
SET431SKF	Inner Half Stand, Tapered Bearing Set
SET427SKF	Outer Half Stand, Tapered Bearing Set
1643CHR	Scotseals® TF Oil Bath Hubcap
1343CHR	Scotseals® Grease Hubcap

Information provided by SKF.



1643CHR

# HARDWARE

## NUTS & STUDS

Table 3-7: Wheel End Nuts

Nuts	Part Number	Description	Type	Hex	Height	Grade
 WE5576L      WE5995L	WE5576L	Disc Wheel Outer LH 1-5/16-12	Outer Disc Wheel	1-3/4"		8
	WE5576R	Disc Wheel Outer RH 1-5/16-12	Outer Disc Wheel	1-3/4"		8
	WE5995L	Disc Wheel Outer LH 3/4-16	Outer Disc Wheel	1-1/2"	1-3/8"	8
	WE5995R	Disc Wheel Outer RH 3/4-16	Outer Disc Wheel	1-1/2"	1-3/8"	8
	WE5554L	Disc Wheel Outer LH 3/4-16	Outer Disc Wheel	1-1/2"	1"	8
	WE5554R	Disc Wheel Outer RH 3/4-16	Outer Disc Wheel	1-1/2"	1"	8
 WE6000      WE5991	WE6000	Flange M22-1.5	Flange	33mm	1-3/16"	8
	WE5991	Flange M22-1.5	Flange	1-1/2"	1-3/8"	10.9
	WE9020	Flange Wheel M22-1.5	Flange	33mm	27mm	8
 WE6060L	WE5996L	Outer LH 1-1/8-16	Outer Wheel LH	1-1/2"	1"	8
	WE5996R	Outer RH 1-1/8-16	Outer Wheel RH	1-1/2"	1"	8
	WE6060L	Outer Wheel LH 1-1/8-16	Outer Wheel LH	1-3/4"		8
	WE6060R	Outer Wheel RH 1-1/8-16	Outer Wheel RH	1-3/4"		8
	WE5977L	Outer Wheel LH 1-1/8-16	Outer Wheel LH	1-1/2"	7/8"	8
	WE5977R	Outer Wheel RH 1-1/8-16	Outer Wheel RH	1-1/2"	7/8"	8
	WE5652L	Outer Wheel LH 3/4-16	Outer Wheel LH	1-1/2"		5
	WE5652R	Outer Wheel RH 3/4-16	Outer Wheel RH	1-1/2"		5
	WE4963	Rim 3/4-10	Rim nut	1-1/4"		5

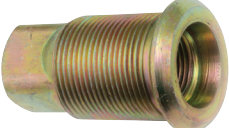



Nuts	Part Number	Description	Type	Hex	Height	Grade
	WE7898L	LH I-15/16-12-O-1-5/16-12 x 3"	Left Hand			8
	WE7898R	RH I-15/16-12-O-1-5/16-12 x 3"	Right Hand			8
WE7895L	WE7895L	LH I-3/4-16 O-1-1/8-16 x 2-1/4"	Left Hand			8
	WE7895R	RH I-3/4-16 O-1-1/8-16 x 2-1/4"	Right Hand			8
	WE7896L	LH I-3/4-16 O-1-1/8-16 x 2-9/16"	Left Hand			8
	WE7896R	RH I-3/4-16 O-1-1/8-16 x 2-9/16"	Right Hand			8
WE7896R	WE5988L	LH I-3/4-16 O-1-1/8-16 x 3-1/16"	Left Hand			8
	WE5988R	RH I-3/4-16 O-1-1/8-16 x 3-1/16"	Right Hand			8
	WE5978L	LH I-3/4-16-O-1-1/8-16 x 3-1/16"	Left Hand			8
	WE5978R	RH I-3/4-16-O-1-1/8-16 x 3-1/16"	Right Hand			8
WE7897R	WE7897L	LH I-3/4-16-O-1-1/8-16 x 3-1/16"	Left Hand			8
	WE7897R	RH I-3/4-16-O-1-1/8-16 x 3-1/16"	Right Hand			8


Table 3-8: Wheel End Studs

Studs	Part Number	Description	Type	Body Dia (in.)	Grade
	WE6058L	Clipped Head LH 3/4-16 x 3-1/4"	Clipped Head	.786-.783	8
	WE6058R	Clipped Head RH 3/4-16 x 3-1/4"	Clipped Head	.786-.783	8
WE6059R	WE6027L	Clipped Head LH 3/4-16 x 3-3/8"	Clipped Head	.786-.783	8
	WE6027R	Clipped Head RH 3/4-16 x 3-3/8"	Clipped Head	.786-.783	8
	WE6059L	Clipped Head LH 3/4-16 x 3-1/2"	Clipped Head	.786-.783	8
	WE6059R	Clipped Head RH 3/4-16 x 3-1/2"	Clipped Head	.786-.783	8
WE6030	WE6030	Clipped M22-1.5 x 5-1/4"	Clipped Head	.912-.908	10.9
	WE6001	Clipped Wheel M22-1.5 x 4-15/16"	Clipped Head	.912-.908	10.9
	WE5986L	Disc Wheel LH 1-1/8-16 x 2-31/32"	Disc Wheel LH	1.222-1.218	8
	WE5986R	Disc Wheel RH 1-1/8-16 x 2-31/32"	Disc Wheel RH	1.222-1.218	8
WE5986R	WE8972L	Disc Wheel LH 1-1/8-16 x 3-1/2"	Disc Wheel LH	1.222-1.218	8
	WE8972R	Disc Wheel RH 1-1/8-16 x 3-1/2"	Disc Wheel RH	1.222-1.218	8
	WE9001L	Disc Wheel LH 1-1/8-16 x 3-15/32"	Disc Wheel LH	1.222-1.218	8
	WE9001R	Disc Wheel RH 1-1/8-16 x 3-15/32"	Disc Wheel RH	1.222-1.218	8
WE9001R	WE8990L	Disc Wheel LH 1-1/8-16 x 4"	Disc Wheel LH	1.222-1.218	8
	WE8990R	Disc Wheel RH 1-1/8-16 x 4"	Disc Wheel RH	1.222-1.218	8
	WE5982L	Disc Wheel LH 1-1/8-16 x 3-3/4"	Disc Wheel LH	1.222-1.218	8
	WE5982R	Disc Wheel RH 1-1/8-16 x 3-3/4"	Disc Wheel RH	1.222-1.218	8
WE5982R	WE5900L	Disc Wheel LH 3/4-16 x 2-11/16"	Disc Wheel LH	.976-.971	8



Studs	Part Number	Description	Type	Body Dia (in.)	Grade	
 <p>WE5719R</p> <p>WE5896L</p>	WE5900R	Disc Wheel RH 3/4-16 x 2-11/16"	Disc Wheel RH	.976-.971	8	
	WE5720L	Disc Wheel LH 3/4-16 x 2-23/32"	Disc Wheel LH	.984-.974	8	
	WE5720R	Disc Wheel RH 3/4-16 x 2-23/32"	Disc Wheel RH	.984-.974	8	
	WE5719L	Disc Wheel LH 3/4-16 x 2-9/16"	Disc Wheel LH	.984-.974	8	
	WE5719R	Disc Wheel RH 3/4-16 x 2-9/16"	Disc Wheel RH	.984-.974	8	
	WE5910L	Disc Wheel LH 3/4-16 x 3-1/8"	Disc Wheel LH	.976-.971	8	
	WE5910R	Disc Wheel RH 3/4-16 x 3-1/8"	Disc Wheel RH	.976-.971	8	
	WE5983L	Disc Wheel LH 3/4-16 x 3-3/4"	Disc Wheel LH	.975-.971	8	
	WE5983R	Disc Wheel RH 3/4-16 x 3-3/4"	Disc Wheel RH	.975-.971	8	
	WE5896L	Disc Wheel LH 3/4-16 x 3-3/8"	Disc Wheel LH	.975-.971	8	
	WE5896R	Disc Wheel RH 3/4-16 x 3-3/8"	Disc Wheel RH	.975-.971	8	
	WE10206L	Disc Wheel M22-1.5 x 3-11/16"	Disc Wheel LH	.786-.783	8	
	WE10206R	Disc Wheel M22-1.5 x 3-11/16"	Disc Wheel RH	.786-.783	8	
	WE5997	Disc Wheel M22-1.5 x 3-3/16"	Disc Wheel	.910-.899	10.9	
	WE5998	Disc Wheel M22-1.5 x 4-7/16"	Disc Wheel	.910-.899	10.9	
	WE5999	Disc Wheel M22-1.5 x 4-7/16"	Disc Wheel	.910-.899	10.9	
	WE8968L	Disc Wheel LH 3/4-16 x 3-3/16"	Disc Wheel LH	.786-.783	8	
	WE8968R	Disc Wheel RH 3/4-16 x 3-3/16"	Disc Wheel RH	.786-.783	8	
		WE2193	Headed LH 3/4-16 x 3-1/32"	Headed	.787-.783	8
		WE4956	Rim 3/4-10 x 2-13/16" (1" & 1-9/16")	Rim Stud		8
WE3122		Flange Stud 5/8-11 x 1-3/8" – 5/8-18 x 1-5/16"	Flange Stud		8	
WE5872		Flange Stud 5/8-11 x 3-11/16"	Flange Stud		8	
 <p>WE5561R</p> <p>WE5989L</p>	WE5559L	Shoulder LH 3/4 -16 x 3-23/32"	Shoulder	.786-.783	8	
	WE5559R	Shoulder RH 3/4-16 x 3-23/32"	Shoulder	.786-.783	8	
	WE5561L	Shoulder LH 3/4 -16 x 3-31/32"	Shoulder	.786-.783	8	
	WE5561R	Shoulder RH 3/4-16 x 3-31/32"	Shoulder	.786-.783	8	
	WE5560L	Shoulder LH 3/4 -16 x 4-1/32"	Shoulder	.786-.783	8	
	WE5560R	Shoulder RH 3/4-16 x 4-1/32"	Shoulder	.786-.783	8	
	WE5556L	Shoulder LH 3/4-16 3-19/32"	Shoulder	.786-.783	8	
	WE5556R	Shoulder RH 3/4-16 x 3-19/32"	Shoulder	.786-.783	8	
	WE5989L	Shoulder LH 3/4-16 x 4-15/16"	Shoulder	.786-.783	8	
	WE5989R	Shoulder RH 3/4-16 x 4-15/16"	Shoulder	.786-.783	8	
	WE8976L	Shoulder LH Hub 3/4-16 x 3-5/8" whl 1-1/8-16	Shoulder	1.222-1.218	8	
	WE8976R	Shoulder RH Hub 3/4-16 x 3-5/8" whl 1-1/8-16	Shoulder	1.222-1.218	8	
 <p>WE5924L</p>	WE5924L	Wedge Head LH 3/4-16 x 3-3/8"	Wedge Head	.789-.786	8	
	WE5924R	Wedge Head RH 3/4-16 x 3-3/8"	Wedge Head	.789-.786	8	

Studs	Part Number	Description	Type	Body Dia (in.)	Grade
 <p>WE6034</p> <p>WE4966R</p>	WE6034	Wheel M22-1.5 x 4-13/16"	Wheel LH	.977-.973	10.9
	WE8985L	Wheel LH 1- 1/8-16 x 3-13/16"	Wheel LH	1.222-1.218	8
	WE8985R	Wheel RH 5.B x 1-1/8 -16 x 3-13/16"	Wheel RH	1.222-1.218	8
	WE1090L	Wheel LH 1-1/8-16 x 3-9/32"	Wheel LH	1.222-1.218	8
	WE1090R	Wheel RH 1-18-16 x 3-9/32"	Wheel RH	1.222-1.218	8
	WE10227L	Wheel LH 1-1/8-16 x 3-3/32"	Wheel LH	1.225-1.221	8
	WE10227R	Wheel RH 1-18-16 x 3-3/32"	Wheel RH	1.225-1.221	8
	WE10225L	Wheel LH 1-1/8-16 x 3-7/8"	Wheel LH	1.225-1.221	8
	WE10225R	Wheel RH 1-18-16 x 3-7/8"	Wheel RH	1.225-1.221	8
	WE10228L	Wheel LH 1-1/8-16 x 3-9/16"	Wheel LH	1.225-1.221	8
	WE10228R	Wheel RH 1-1/8-16 x 3-9/16"	Wheel RH	1.225-1.221	8
	WE5766L	Wheel LH 3/4-16 x 3-7/8"	Wheel LH	.786-.783	8
	WE5766R	Wheel RH 3/4-16 x 3-7/8"	Wheel RH	.786-.783	8
	WE8969L	Wheel LH 3/4-16 x 2-15/16"	Wheel LH	.786-.783	8
	WE8969R	Wheel RH 3/4-16 x 2-15/16"	Wheel RH	.786-.783	8
	WE8949L	Wheel LH 3/4-16 x 2-19/32"	Wheel LH	.904-.900	8
	WE8949R	Wheel RH 3/4-16 x 2-19/32"	Wheel RH	.904-.900	8
	WE8947L	Wheel LH 3/4-16 x 2-31/32"	Wheel LH	.786-.783	8
	WE8947R	Wheel RH 3/4-16 x 2-31/32"	Wheel RH	.786-.783	8
	WE4966L	Wheel LH 3/4-16 x 2-5/8"	Wheel LH	.786-.783	8
	WE4966R	Wheel RH 3/4-16 x 2-5/8"	Wheel RH	.786-.783	8
	WE4967L	Wheel LH 3/4-16 x 2-7/8"	Wheel LH	.786-.783	8
	WE4967R	Wheel RH 3/4-16 x 2-7/8"	Wheel RH	.786-.783	8
	WE5870L	Wheel LH 3/4-16 x 2-7/8"	Wheel LH	.786-.783	8
	WE5870R	Wheel RH 3/4-16 x 2-7/8"	Wheel RH	.786-.783	8
	WE4969L	Wheel LH 3/4-16 x 3-1/8"	Wheel LH	.786-.783	8
	WE4969R	Wheel RH 3/4-16 x 3-1/8"	Wheel RH	.786-.783	8
	WE5871L	Wheel LH 3/4-16 x 3-1/8"	Wheel LH	.976-.971	8
	WE5871R	Wheel RH 3/4-16 x 3-1/8"	Wheel RH	.976-.971	8
	WE8979L	Wheel LH 3/4-16 x 3-3/8"	Wheel LH	.786-.783	8
	WE8979R	Wheel RH 3/4-16 x 3-3/8"	Wheel RH	.786-.783	8
	WE5722L	Wheel LH 3/4-16 x 4"	Wheel LH	.976-.971	8
	WE5722R	Wheel RH 3/4-16 x 4"	Wheel RH	.976-.971	8
	WE1339L	Wheel LH 3/4-16 x 3-1/8"	Wheel LH	.786-.783	8
	WE1339R	Wheel RH 3/4-16 x 3-1/8"	Wheel RH	.786-.783	8
	WE10208L	Wheel LH 3/4-16 x 3-13/32"	Wheel LH	.787-.783	8
	WE10208R	Wheel RH 3/4-16 x 3-13/32"	Wheel RH	.787-.783	8
	WE8983L	Wheel LH 3/4-16 x 2-11/16"	Wheel LH	.786-.783	8
	WE8983R	Wheel RH 3/4-16 x 2-11/16"	Wheel RH	.786-.783	8
	WE1320L	Wheel LH 3/4-16 x 2-3/8"	Wheel LH	.786-.783	8
WE1320R	Wheel RH 3/4-16 x 2-3/8"	Wheel RH	.786-.783	8	
WE10210L	Wheel LH 3/4-16 x 3-25/32"	Wheel LH	.787-.783	8	
WE10210R	Wheel RH 3/4-16 x 3-25/32"	Wheel RH	.787-.783	8	

Studs	Part Number	Description	Type	Body Dia (in.)	Grade
 <p>WE6036</p>	WE10209L	Wheel LH 3/4-16 x 3-5/32"	Wheel LH	.787-.783	8
	WE10209R	Wheel RH 3/4-16 x 3-5/32"	Wheel RH	.787-.783	8
	WE10675	Wheel M22-1.5 x 3-23/32"	Wheel	.975-.971	10.9
	WE10220	Wheel M22-1.5 x 5"	Wheel	.912-.908	10.9
	WE6036	Wheel M22-1.5 x 3-1/2"	Wheel	.977-.973	10.9
	WE6035	Wheel M22-1.5 x 3-15/16"	Wheel	.977-.973	10.9
	WE10222	Wheel M22-1.5 x 3-21/32"	Wheel	.912-.908	10.9
	WE1202	Wheel M22-1.5 x 3-29/32"	Wheel	1.222-1.218	10.9
	WE10218	Wheel M22-1.5 x 3-31/32"	Wheel	.912-.908	10.9
	WE8981	Wheel M22-1.5 x 4"	Wheel	.975-.971	10.9
	WE10219	Wheel M22-1.5 x 4-1/2"	Wheel	.912-.908	10.9
	WE1270	Wheel M22-1.5 x 4-1/2"	Wheel	.975-.971	10.9
	WE10676	Wheel M22-1.5 x 4-1/4"	Wheel	.975-.971	10.9
	WE10217	Wheel M22-1.5 x 4-15/16"	Wheel	.912-.908	10.9
	WE10215	Wheel M22-1.5 x 4-3/32"	Wheel	.912-.908	10.9
	WE10223	Wheel M22-1.5 x 4-5/32"	Wheel	.912-.908	10.9
	WE12016	Wheel M22-1.5 x 4-9/16"	Wheel	.912-.908	10.9
	WE8987	Wheel M22-1.5 x 5-3/16"	Wheel	.975-.971	10.9
	WE10221	Wheel M22-1.5 x 5-5/16"	Wheel	.912-.908	10.9

# CROSS REFERENCE

## SEAL & BEARING

Table 3-9: Wheel Seal & Bearing  
Cross Reference

Mfg. Part Number	TRP Part Number
------------------	-----------------

### SKF \ CR

40129	SW40136
40136	SW40136
40147CHR	SW40136
42623	SW42623
42623	SW42622
42623	SW370065A
42627	SW42623
42627	SW42622
42627	SW370065A
42631CHR	SW42623
42631CHR	SW42622
42631CHR	SW370065A
46300	SW46305
46300	SW370025A
46305	SW46305
46305	SW370025A
46308CHR	SW370025A
46308CHR	SW46305

### DANA / SPICER

850N0K	SW40136
851N0K	SW42622
851N0K	SW42623
851N0K	SW370065A
859N0K	SW370025A
859N0K	SW46305

### FEDERAL MOGUL

370025AFDM	SW46305
370025AFDM	SW370025A
370036AFDM	SW40136
370065AFDM	SW42622
370065AFDM	SW42623
370065AFDM	SW370065A
380025AFDM	SW370025A

Mfg. Part Number	TRP Part Number
380025AFDM	SW46305
380036AFDM	SW40136
380065AFDM	SW42622
380065AFDM	SW42623
380065AFDM	SW370065A

### NTN BEARINGS

29620NTN	BW29620
3720NTN	BW3720
3782NTN	BW3782
39590NTN	BW39590
552ANTN	BW552A
572NTN	BW572
580NTN	BW580
592ANTN	BW592A
594ANTN	BW594A
594NTN	BW594
598ANTN	BW598A
6420NTN	BW6420
6461ANTN	BW6461A
653NTN	BW653
663NTN	BW663
HM212011NTN	BWHM212011
HM212049NTN	BWHM212049
HM218210NTN	BWHM218210
HM218248NTN	BWHM218248
HM518410NTN	BWHM518410
HM518445NTN	BWHM518445
SET413NTN	BWSET413
SET414NTN	BWSET414
SET415NTN	BWSET415

### PACELINE

PAC29620	BW29620
PAC370025A	SW370025A
PAC370065A	SW370065A
PAC3720	BW3720
PAC3782	BW3782
PAC39520	BW39520
PAC39590	BW39590
PAC40136	SW40136
PAC42622	SW42622
PAC42623	SW42623
PAC46305	SW46305

Mfg. Part Number	TRP Part Number
PAC552A	BW552A
PAC555S	BW555S
PAC572	BW572
PAC580	BW580
PAC592A	BW592A
PAC594	BW594
PAC594A	BW594A
PAC598A	BW598A
PAC6420	BW6420
PAC6461A	BW6461A
PAC653	BW653
PAC663	BW663
PACHM212011	BWHM212011
PACHM212049	BWHM212049
PACHM218210	BWHM218210
PACHM218248	BWHM218248
PACHM518410	BWHM518410
PACHM518445	BWHM518445
PACSET411	BWSET411
PACSET413	BWSET413
PACSET414	BWSET414
PACSET415	BWSET415
PACSET423	BWSET423
PACSET424	BWSET424

### STEMCO

307-0713	SW40136
307-0723	SW370065A
307-0723	SW42622
307-0723	SW42623
307-0743	SW370025A
307-0743	SW46305
3720STM	BW3720
3720TRB	BW3720
372-7097	SW370025A
372-7097	SW46305
372-7098	SW40136
372-7099	SW370065A
372-7099	SW42622
372-7099	SW42623
373-0113	SW40136
373-0123	SW370065A
373-0123	SW42622
373-0123	SW42623
373-0143	SW370025A

Mfg. Part Number	TRP Part Number
373-0143	SW46305
3782STM	BW3782
3782TRB	BW3782
572STM	BW572
572TRB	BW572
592ASTM	BW592A
592ATRB	BW592A
594ASTM	BW594A
594ATRB	BW594A
ASET049-011STM	BWSET413
ASET248-210STM	BWSET414
HM212011STM	BWHM212011
HM212011TRB	BWHM212011
HM212049STM	BWHM212049
HM212049TRB	BWHM212049
HM218210STM	BWHM218210
HM218210TRB	BWHM218210
HM218248STM	BWHM218248
HM218248TRB	BWHM218248
SET413TRB	BWSET413
SET414TRB	BWSET414

**TIMKEN**

29620TRB	BW29620
3720TRB	BW3720
3782TRB	BW3782
39590TRB	BW39590
552ATRB	BW552A
572TRB	BW572
580TRB	BW580
592ATRB	BW592A
594ATRB	BW594A
594TRB	BW594
598ATRB	BW598A
6420TRB	BW6420
6461ATRB	BW6461A
653TRB	BW653
663TRB	BW663
HM212011TRB	BWHM212011
HM212049TRB	BWHM212049
HM218210TRB	BWHM218210
HM218248TRB	BWHM218248
HM518410TRB	BWHM518410
HM518445TRB	BWHM518445

Mfg. Part Number	TRP Part Number
SET413TRB	BWSET413
SET414TRB	BWSET414
SET415TRB	BWSET415

**HARDWARE – NUTS & STUDS**

Table 3-10: Wheel End Nuts &amp; Studs Cross Reference

Mfg. Part Number	TRP Part Number
------------------	-----------------

**ALCOA**

5554L	WE5554L
5554R	WE5554R
5575L	WE7898L
5575R	WE7898R
5977L	WE5977L
5977R	WE5977R
5988L	WE5988L
5988R	WE5988R
5995L	WE5995L
5996L	WE5996L
5996R	WE5996R

**ARVINMERITOR**

1199B1432	WE6060R
1199C1433	WE6060L
1199J114	WE7895R
1199K115	WE7895L
1199V1348	WE7898R
1199V1349	WE7898L
1199W1349	WE7898L
1199Y1351	WE5576L
20X1334	WE5924L
20X1335	WE5924R
20X1356	WE9001R
20X1357	WE9001L
20X1571	WE5870L
20X1572	WE5870R

Mfg. Part Number	TRP Part Number
20X1575	WE4967R
20X1576	WE4967L
20X1760	WE8976R
20X1761	WE8976L
20X206	WE5720R
20X207	WE5720L
20X210	WE5719R
20X211	WE5719L
20X344	WE5910R
20X345	WE5910L
20X37	WE5559L
20X38	WE5559R
20X430	WE4966R
20X431	WE4966L
20X477	WE5722R
20X478	WE5722L
20X481	WE5871L
20X482	WE5871R
20X52	WE5561R
20X53	WE5561L
20X54	WE5556R
20X55	WE5556L
20X831	WE5900R
20X832	WE5900L
20X85	WE5560R
20X86	WE5560L
2R007898L	WE7898L
2R007898R	WE7898R
2SZAW041R	WE8987
2TBYA001R	WE5576R
R0010676	WE10676
R001116L	WE5870L
R001116R	WE5870R
R001116R	WE8976R
R004956A	WE4956
R004963	WE4963
R004966L	WE4966L
R004966R	WE4966R
R004967L	WE4967L
R004967R	WE4967R
R004968L	WE8968L
R004968R	WE8968R
R004969L	WE4969L
R004969R	WE4969R

Mfg. Part Number	TRP Part Number
R005554L	WE5554L
R005554R	WE5554R
R005556L	WE5556L
R005556R	WE5556R
R005559L	WE5559L
R005559R	WE5559R
R005560L	WE5560L
R005560R	WE5560R
R005561L	WE5561L
R005561R	WE5561R
R005576L	WE5576L
R005576R	WE5576R
R005652L	WE5652L
R005652R	WE5652R
R005719L	WE5719L
R005719R	WE5719R
R005720L	WE5720L
R005720R	WE5720R
R005722L	WE5722L
R005722R	WE5722R
R005766L	WE5766L
R005766R	WE5766R
R005871L	WE5871L
R005871R	WE5871R
R005872	WE5872
R005900L	WE5900L
R005900R	WE5900R
R005910L	WE5910L
R005910R	WE5910R
R005924L	WE5924L
R005924R	WE5924R
R005977L	WE5977L
R005977R	WE5977R
R005978L	WE5978L
R005978R	WE5978R
R005982L	WE5982L
R005982R	WE5982R
R005983L	WE5983L
R005983R	WE5983R
R005986L	WE5986L
R005986R	WE5986R
R005988L	WE5988L
R005988R	WE5988R
R005989L	WE5989L

Mfg. Part Number	TRP Part Number
R005989R	WE5989R
R005991	WE5991
R005995L	WE5995L
R005996L	WE5996L
R005996R	WE5996R
R005997	WE5997
R005998	WE5998
R005999	WE5999
R006000	WE6000
R006000A	WE6000
R006001	WE6001
R006027L	WE6027L
R006027R	WE6027R
R006030	WE6030
R006034	WE6034
R006035	WE6035
R006036	WE6036
R006058L	WE6058L
R006058R	WE6058R
R006059L	WE6059L
R006059R	WE6059R
R006060L	WE6060L
R006060R	WE6060R
R007895L	WE7895L
R007895R	WE7895R
R007896L	WE7896L
R007896R	WE7896R
R007897L	WE7897L
R007897R	WE7897R
R007898L	WE7898L
R007898R	WE7898R
R008947L	WE8947L
R008947R	WE8947R
R008949L	WE8949L
R008949R	WE8949R
R008968L	WE8968L
R008968R	WE8968R
R008969L	WE8969L
R008969R	WE8969R
R008976L	WE8976L
R008976R	WE8976R
R008979L	WE8979L
R008979R	WE8979R
R008987	WE8987

Mfg. Part Number	TRP Part Number
R008989	WE10676
R008990L	WE8990L
R008990R	WE8990R
R009001L	WE9001L
R009001R	WE9001R
R009020	WE9020

**BATCO**

131570	WE6036
131571	WE6035
131572	WE6034
131577	WE10676
131578	WE8987
131580	WE5998
131581	WE5997
131582	WE5999
131590	WE6030
131592	WE6001
138004	WE4963
131002L	WE5556L
131003L	WE5559L
131003R	WE5559R
131004L	WE5561L
131004R	WE5561R
131005L	WE5560L
131005R	WE5560R
131017L	WE5989L
131017R	WE5989R
131103L	WE4966L
131103R	WE4966R
131104L	WE5870L
131104R	WE5870R
131105L	WE4969L
131105R	WE4969R
131107L	WE4967L
131107R	WE4967R
131110L	WE5766L
131110R	WE5766R
131122L	WE8947L
131122R	WE8947R
131129L	WE8979L
131129R	WE8979R
131135L	WE8968L
131135R	WE8968R

Mfg. Part Number	TRP Part Number
131156L	WE10209L
131156R	WE10209R
131157L	WE10208L
131157R	WE10208R
131158L	WE10210L
131158R	WE10210R
131202L	WE5719L
131202R	WE5719R
131203L	WE5720L
131203R	WE5720R
131474L	WE8976L
131585L	WE8949L
131585R	WE8949R
131619L	WE8972L
131619R	WE8972R
131621R	WE9001R
131635L	WE8985L
131635R	WE8985R
131660L	WE10225L
131660R	WE10225R
132323L	WE5924L
132323R	WE5924R
132375L	WE6059L
132375R	WE6059R
132376L	WE6027L
132376R	WE6027R
133006L	WE7897L
133008L	WE7896L
133008R	WE7896R
133017L	WE5576L
133017R	WE5576R
133019L	WE6060L
133019R	WE6060R
133026L	WE5988L
133026R	WE5988R
133054L	WE5554L
133055R	WE5996R
133050	WE5991
133052	WE6000
133010L	WE7898L
133010R	WE7898R
133012L	WE5977L
133012R	WE5977R
133029L	WE7897L

Mfg. Part Number	TRP Part Number
133029R	WE7897R

### BUDD WHEEL Co

9416	WE5576R
9417	WE5576L
10708	WE7895R
10709	WE7895L
13096	WE5556R
13097	WE5556L
13988	WE5559R
13989	WE5559L
13990	WE5561R
13991	WE5561L
19004	WE5560R
19005	WE5560L
22621	WE7897R
22622	WE7897L
35336	WE7896R
35337	WE7896L
37888	WE5652R
37889	WE5652L
37891	WE5977R
37892	WE5977L
49414	WE7898R
49415	WE7898L
49851	WE5870R
49852	WE5870L
59183	WE4969R
59184	WE4969L
59263	WE4966R
59264	WE4966L
59373	WE5766R
59374	WE5766L
61968	WE4967R
67011	WE6060R
67012	WE6060L
70613	WE5554R
70614	WE5554L
83851	WE5722R
83852	WE5722L
100145	WE8947R
100146	WE8947L
106201	WE8949R
106202	WE8949L
106216	WE5997

Mfg. Part Number	TRP Part Number
106333	WE6000
106377	WE5998
106397	WE5999
494145	WE7898L
6.36E+05	WE5720L
6.36E+05	WE5720R
63625E1	WE5720R
63626E1	WE5720L
3203801	WE5977R
3203802	WE5977L
6.36E+07	WE5719L
6.36E+07	WE5719R
63625E3	WE5719R
63626E3	WE5719L

### BWP

140B	WE7898L
M1176	WE5766R
M1177	WE5766L
M126	WE5977R
M127	WE5977L
M128	WE7895R
M129	WE7895L
M132	WE7897R
M133	WE7897L
M140A	WE7898R
M140B	WE7898L
M140G	WE6060R
M140H	WE6060L
M2474	WE9001R
M3201	WE5997
M3202	WE5999
M3203	WE6000
M3207	WE5991
M3210	WE5996R
M3215	WE6036
M3216	WE6035
M3217	WE6034
M3224	WE6027R
M3225	WE6027L
M3226	WE6059R
M3227	WE6059L
M3232	WE6001
M3394	WE5977R
M3395	WE5977L

Mfg. Part Number	TRP Part Number
M82	WE4969L

**CONSOLIDATED METAL INC**

100254	WE6027R
100255	WE6027L
100368	WE6058R
100369	WE6058L
100370	WE6059L
100371	WE6059R
100524	WE5989R
100525	WE5989L
101150	WE6030
101160	WE6034
101171	WE6001
101873	WE10225L
101874	WE10225R
102033	WE10218
102084	WE10226L
102085	WE10226R
102188	WE10215
102189	WE12016
102190	WE10217
102193	WE2193
102277	WE10209L
102278	WE10209R
102279	WE10208L
102280	WE10208R
102281	WE10210L
102282	WE10210R
102290	WE10219
102291	WE10220
102292	WE10221
103189	WE10227L
103190	WE10227R
103191	WE10228L
103192	WE10228R
103193	WE10222
103194	WE10215
103430	WE3122
103431	WE10223
102188CON	WE10215
102290CON	WE10219
102291CON	WE10220
102292CON	WE10221
103430CON	WE3122

Mfg. Part Number	TRP Part Number
------------------	-----------------

**DANA / SPICER**

50-1003L	WE5556L
50-1003R	WE5556R
50-1004L	WE5559L
50-1004R	WE5559R
50-1006L	WE5561L
50-1006R	WE5561R
50-1007L	WE5560L
50-1007R	WE5560R
50-1021L	WE5989L
50-1021R	WE5989R
50-1074L	WE8990L
50-1074R	WE8990R
50-1087L	WE5986L
50-1087R	WE5986R
50-1093L	WE9001L
50-1093R	WE9001R
50-1097L	WE5982L
50-1097R	WE5982R
50-1123L	WE4966L
50-1123R	WE4966R
50-1127L	WE4967L
50-1127R	WE4967R
50-1128L	WE5870L
50-1128R	WE5870R
50-1131L	WE4969L
50-1131R	WE4969R
50-1136L	WE5766L
50-1136R	WE5766R
50-1139L	WE8947L
50-1139R	WE8947R
50-1146	WE6030
50-1148	WE6001
50-1161L	WE5719L
50-1161R	WE5719R
50-1163L	WE5900L
50-1163R	WE5900R
50-1164L	WE5720L
50-1164R	WE5720R
50-1165L	WE5910L
50-1165R	WE5910R
50-1173L	WE5722L
50-1173R	WE5722R

Mfg. Part Number	TRP Part Number
------------------	-----------------

50-1181L	WE5871L
50-1181R	WE5871R
50-1185L	WE5983L
50-1185R	WE5983R
50-1250L	WE5924L
50-1250R	WE5924R
50-1263L	WE6058L
50-1263R	WE6058R
50-1264L	WE6059L
50-1264R	WE6059R
50-1265L	WE6027L
50-1265R	WE6027R
50-1267	WE6036
50-1268	WE6035
50-1269	WE6034
50-1278L	WE8949L
50-1278R	WE8949R
50-1284	WE5998
50-1285	WE5997
50-1286	WE5999
51-1005L	WE7895L
51-1005R	WE7895R
51-1006L	WE7896L
51-1006R	WE7896R
51-1007L	WE7897L
51-1007R	WE7897R
51-1008L	WE7898L
51-1008R	WE7898R
51-1013B	WE5652R
51-1013L	WE5652L
51-1013R	WE5652R
51-1014L	WE6060L
51-1014R	WE6060R
51-1015L	WE5576L
511015R	WE5576R
51-1015R	WE5576R
51-1017L	WE5554L
51-1017R	WE5554R
51-1033	WE6000
51-1034	WE9020

**EUCLID**

E-10208L	WE10208L
E-10208R	WE10208R
E-10209L	WE10209L



Mfg. Part Number	TRP Part Number
E-10209R	WE10209R
E-10210L	WE10210L
E-10210R	WE10210R
E-10225L	WE10225L
E-10225R	WE10225R
E-10227L	WE10227L
E-10227R	WE10227R
E-10228L	WE10228L
E-10228R	WE10228R
E-10676	WE10676
E-4956A	WE4956
E-4963	WE4963
E-4966L	WE4966L
E-4966R	WE4966R
E-4967L	WE4967L
E-4967R	WE4967R
E-4968L	WE5870L
E-4968R	WE5870R
E-4969L	WE4969L
E-4969R	WE4969R
E-5552L	WE5977L
E-5552R	WE5977R
E-5554L	WE5554L
E-5556L	WE5556L
E-5559L	WE5559L
E-5559R	WE5559R
E-5560L	WE5560L
E-5560R	WE5560R
E-5561L	WE5561L
E-5561R	WE5561R
E-5576L	WE5576L
E-5576R	WE5576R
E-5652L	WE5652L
E-5652R	WE5652R
E-5719L	WE5719L
E-5719R	WE5719R
E-5720L	WE5720L
E-5720R	WE5720R
E-5722L	WE5722L
E-5766L	WE5766L
E-5766R	WE5766R
E-5871L	WE5871L
E-5871R	WE5871R
E-5872	WE5872

Mfg. Part Number	TRP Part Number
E-5896L	WE5896L
E-5896R	WE5896R
E-5900L	WE5900L
E-5900R	WE5900R
E-5910R	WE5910R
E-5924L	WE5924L
E-5924R	WE5924R
E-5977L	WE5977L
E-5977R	WE5977R
E-5978L	WE5978L
E-5978R	WE5978R
E-5982L	WE5982L
E-5982R	WE5982R
E-5983L	WE5983L
E-5983R	WE5983R
E-5986L	WE5986L
E-5986R	WE5986R
E-5988L	WE5988L
E-5988R	WE5988R
E-5989L	WE5989L
E-5989R	WE5989R
E-5991	WE5991
E-5995L	WE5995L
E-5996R	WE5996R
E-5997	WE5997
E-5998	WE5998
E-5999	WE5999
E-6000	WE6000
E-6001A	WE6001
E-6027L	WE6027L
E-6027R	WE6027R
E-6030	WE6030
E-6034	WE6034
E-6035	WE6035
E-6036	WE6036
E-6059L	WE6059L
E-6059R	WE6059R
E-6060L	WE6060L
E-6060R	WE6060R
E-7895L	WE7895L
E-7895R	WE7895R
E-7896L	WE7896L
E-7896R	WE7896R
E-7897L	WE7897L

Mfg. Part Number	TRP Part Number
E-7897R	WE7897R
E-7898L	WE7898L
E-7898R	WE7898R
E-8947L	WE8947L
E-8947R	WE8947R
E-8949L	WE8949L
E-8949R	WE8949R
E-8968L	WE8968L
E-8968R	WE8968R
E-8969L	WE8969L
E-8969R	WE8969R
E-8972L	WE8972L
E-8972R	WE8972R
E-8976L	WE8976L
E-8976R	WE8976R
E-8979L	WE8979L
E-8979R	WE8979R
E-8985L	WE8985L
E-8985R	WE8985R
E-8987	WE8987
E-8990R	WE8990R
E-9001R	WE9001R
E-9020	WE9020

### FREIGHTLINER

MF39702	WE6000
---------	--------

### FUEHAUF

226604	WE7898L
226605	WE7898R

### GENERAL TRAILER PARTS

2007175C2	WE10675
-----------	---------

### GREAT DANE

032-42205202	WE6000
--------------	--------

### GUNITE

34271	WE5977R
34272	WE5977L
W1060L	WE8976L
W1060R	WE8976R
W1064L	WE10206L
W1064R	WE10206R
W1090L	WE1090L
W1090R	WE1090R
W1133L	WE8979L

Mfg. Part Number	TRP Part Number
W1133R	WE8979R
W1164	WE8981
W1202	WE1202
W1203L	WE8985L
W1203R	WE8985R
W1211	WE8987
W1246	WE8988
W1270	WE1270
W1320L	WE1320L
W1320R	WE1320R
W1322L	WE8983L
W1322R	WE8983R
W1324	WE10675
W1325	WE1325
W1327	WE10676
W1328L	WE1090L
W1328R	WE1090R
W1339L	WE1339L
W1339R	WE1339R
W1400	WE8981
W855	WE4956
W980L	WE8968L
W980R	WE8968R
W981L	WE8969L
W981R	WE8969R
W988L	WE8972L
W988R	WE8972R
WP148	WE4963

**HAYES LEMMERZ**

86478	WE5872
88881	WE5991
90846	WE6000

**INLINE**

MKJA017R	WE5872
MKJA501R	WE3122
NRMA001R	WE4963
RMMA001R	WE4956
RMMA005R	WE4956
SNAA015L	WE6058L
SNAA015R	WE6058R
SNAA017L	WE6027L
SNAA017R	WE6027R

Mfg. Part Number	TRP Part Number
SNAA019L	WE6059L
SNAA019R	WE6059R
SNAA105L	WE5924L
SNAA105R	WE5924R
SNAJ001L	WE10208L
SNAJ001R	WE10208R
SNAJ002L	WE10210L
SNAJ002R	WE10210R
SNAJ003L	WE10209L
SNAJ003R	WE10209R
SNAJ004L	WE2193
SNAL007L	WE1320L
SNAL007R	WE1320R
SNAL015L	WE4966L
SNAL015R	WE4966R
SNAL017L	WE8983L
SNAL017R	WE8983R
SNAL027L	WE4967L
SNAL027R	WE4967R
SNAL028L	WE5870L
SNAL028R	WE5870R
SNAL035L	WE8969L
SNAL035R	WE8969R
SNAL039L	WE8947L
SNAL039R	WE8947R
SNAL043L	WE10206L
SNAL043R	WE10206R
SNAL049L	WE1339L
SNAL049R	WE1339R
SNAL055L	WE8968L
SNAL055R	WE8968R
SNAL056L	WE4969L
SNAL056R	WE4969R
SNAL069L	WE8979L
SNAL069R	WE8979R
SNAL084L	WE5766L
SNAL084R	WE5766R
SNAT001L	WE8949L
SNAT001R	WE8949R
SNAU001L	WE5896L
SNAU001R	WE5896R
SNAV003L	WE5719L
SNAV003R	WE5719R
SNAV007L	WE5900L

Mfg. Part Number	TRP Part Number
SNAV007R	WE5900R
SNAV009L	WE5720L
SNAV009R	WE5720R
SNAV017L	WE5910L
SNAV017R	WE5910R
SNAV019L	WE5871L
SNAV019R	WE5871R
SNAV029L	WE5983L
SNAV029R	WE5983R
SNAV035L	WE5722L
SNAV035R	WE5722R
SNNA003L	WE5556L
SNNA003R	WE5556R
SNNA005L	WE5561L
SNNA005R	WE5561R
SNNA007L	WE5559L
SNNA007R	WE5559R
SNNA009L	WE5560L
SNNA009R	WE5560R
SNNA033L	WE5989L
SNNA033R	WE5989R
SVVN628	WE8981
SWAY021L	WE5986L
SWAY021R	WE5986R
SWAY025L	WE1090L
SWAY025R	WE1090R
SWAY045L	WE1090L
SWAY045R	WE1090R
SWAY051L	WE9001L
SWAY051R	WE9001R
SWAY053L	WE8972L
SWAY053R	WE8972R
SWAY075L	WE5982L
SWAY075R	WE5982R
SWAY083L	WE8985L
SWAY083R	WE8985R
SWAY085L	WE8990L
SWAY085R	WE8990R
SWAZ001L	WE10225L
SWAZ001R	WE10225R
SWAZ002L	WE10226L
SWAZ002R	WE10226R
SWAZ003L	WE10227L
SWAZ003R	WE10227R

Mfg. Part Number	TRP Part Number
SWAZ004L	WE10228L
SWAZ004R	WE10228R
SWNY001L	WE8976L
SWNY001R	WE8976R
SZAA022R	WE6001
SZAA024R	WE6030
SZAR001R	WE10218
SZAR002R	WE12016
SZAR003R	WE10221
SZAR004R	WE10222
SZAR005R	WE10215
SZAR006R	WE10223
SZAR010R	WE10220
SZAR011R	WE10219
SZAR013R	WE10217
SZAT001R	WE5998
SZAT005R	WE5997
SZAT009R	WE5999
SZAW011R	WE6036
SZAW013R	WE10675
SZAW017R	WE8988
SZAW019R	WE6035
SZAW021R	WE8981
SZAW025R	WE10676
SZAW027R	WE1270
SZAW029R	WE1325
SZAW033R	WE6034
SZAW041R	WE8987
SZAY003R	WE1202
TANW003L	WE5988L
TANW003R	WE5988R
TANW017L	WE5978L
TANW017R	WE5978R
TANW025L	WE7895L
TANW025R	WE7895R
TANW027L	WE7896L
TANW027R	WE7896R
TANW029L	WE7897L
TANW029R	WE7897R
TASY003L	WE7898L
TASY003R	WE7898R
TBNA001L	WE5995L
TBNA001R	WE5995R
TBNA003L	WE5652L

Mfg. Part Number	TRP Part Number
TBNA003R	WE5652R
TBNA005L	WE5554L
TBNA005R	WE5554R
TBWA001L	WE5996L
TBWA001R	WE5996R
TBWA015L	WE5977L
TBWA015R	WE5977R
TBWA019L	WE6060L
TBWA019R	WE6060R
TBYA001L	WE5576L
TBYA001R	WE5576R
TFZA017R	WE6000
TFZA019R	WE5991
TFZA027R	WE9020

### KENWORTH

K169-187	WE6000
----------	--------

### LELAND BRAKE PARTS

L1529	WE5872
L3122	WE3122
W11	WE7895R
W122	WE5554R
W123	WE5554L
W12	WE7895L
W13	WE5977R
W14	WE5977L
W154	WE5576R
W155	WE5576L
W15	WE5652R
W160	WE7898R
W161	WE7898L
W166	WE5720R
W167	WE5720L
W16	WE5652L
W170	WE5719R
W171	WE5719L
W264	WE5924R
W265	WE5924L
W274	WE5871R
W275	WE5871L
W276	WE5896R
W277	WE5896L
W280	WE5766R
W281	WE5766L

Mfg. Part Number	TRP Part Number
W330	WE9001R
W331	WE9001L
W370	WE5722R
W371	WE5722L
W38	WE5556R
W39	WE5556L
W395	WE5910R
W396	WE5910L
W399	WE5900R
W40	WE5559R
W400	WE5900L
W41	WE5559L
W42	WE5561R
W426	WE6060R
W427	WE6060L
W43	WE5561L
W44	WE5560R
W45	WE5560L
W475	WE5983R
W476	WE5983L
W477	WE5982R
W478	WE5982L
W486	WE5988R
W487	WE5988L
W492	WE5991
W495	WE5999
W496	WE5998
W497	WE5997
W498	WE6000
W500	WE5989R
W501	WE5989L
W504	WE8949R
W505	WE8949L
W506	WE5995R
W507	WE5995L
W508	WE5996R
W509	WE5996L
W510	WE8972R
W511	WE8972L
W520	WE5986R
W521	WE5986L
W524	WE6030
W525	WE9020
W526	WE6058R

Mfg. Part Number	TRP Part Number
W527	WE6058L
W528	WE6059R
W529	WE6059L
W542	WE6027R
W543	WE6027L
W544	WE6036
W545	WE6035
W546	WE1325
W546	WE6034
W547	WE6001
W550	WE8990R
W551	WE8990L
W575	WE8947R
W576	WE8947L
W608	WE8969R
W609	WE8969L
W610	WE8979R
W611	WE8979L
W616	WE7897R
W617	WE7897L
W620	WE7896R
W621	WE7896L
W640	WE8976R
W641	WE8976L
W648	WE10206R
W649	WE10206L
W657	WE8981
W66	WE4966R
W662	WE10225R
W663	WE10225L
W669	WE10676
W67	WE4966L
W674	WE8968R
W675	WE8968L
W678	WE10675
W678	WE8988
W68	WE4967R
W680	WE8983R
W681	WE8983L
W683	WE1202
W688	WE8987
W69	WE4967L
W6	WE4956
W70	WE5870R

Mfg. Part Number	TRP Part Number
W702	WE10221
W703	WE10218
W706	WE10208R
W707	WE10208L
W708	WE10219
W71	WE5870L
W710	WE8985R
W711	WE8985L
W715	WE1270
W716	WE10215
W717	WE12016
W718	WE10217
W719	WE10220
W72	WE4969R
W727	WE2193
W728	WE10209R
W729	WE10209L
W73	WE4969L
W730	WE10210R
W731	WE10210L
W750	WE1090R
W751	WE1090L
W752	WE1320R
W753	WE1320L
W754	WE1339R
W755	WE1339L
W756	WE10228R
W757	WE10228L
W766	WE5978R
W767	WE5978L
W771	WE10223
W772	WE10222
W774	WE10227R
W775	WE10227L
W778	WE10226R
W779	WE10226L
W8	WE4963

**MACK**

181AM5002	WE6000
21AX609	WE7898R
21AX610	WE7898L

**MARMON-HERRINGTON**

MT931197	WE6000
----------	--------

Mfg. Part Number	TRP Part Number
<b>METFORM</b>	
39514	WE5991
39604	WE5991
39702	WE6000

**MIDLAND GRAU**

67266	WE7898R
67267	WE7898L

**MIDWEST**

1199B1432	WE6060R
1199C1433	WE6060L
1199J114	WE7895R
1199K115	WE7895L
1199V1348	WE7898R
1199W1349	WE7898L
1199Y1351	WE5576L
20X1334	WE5924L
20X1335	WE5924R
20X1356	WE9001R
20X1357	WE9001L
20X1571	WE5870L
20X1572	WE5870R
20X1575	WE4967R
20X1576	WE4967L
20X1760	WE8976R
20X1761	WE8976L
20X206	WE5720R
20X207	WE5720L
20X210	WE5719R
20X211	WE5719L
20X344	WE5910R
20X345	WE5910L
20X37	WE5559L
20X38	WE5559R
20X430	WE4966R
20X431	WE4966L
20X477	WE5722R
20X478	WE5722L
20X481	WE5871L
20X482	WE5871R
20X52	WE5561R
20X53	WE5561L
20X54	WE5556R

Mfg. Part Number	TRP Part Number
20X55	WE5556L
20X831	WE5900R
20X832	WE5900L
20X85	WE5560R
20X86	WE5560L
2SZAW041R	WE8987
2TBYA001R	WE5576R
R001116L	WE5870L
R001116R	WE5870R
R001116R	WE8976R
R004956A	WE4956
R004963	WE4963
R004966L	WE4966L
R004966R	WE4966R
R004967L	WE4967L
R004967R	WE4967R
R004968L	WE8968L
R004968R	WE8968R
R004969L	WE4969L
R004969R	WE4969R
R005554L	WE5554L
R005554R	WE5554R
R005556L	WE5556L
R005556R	WE5556R
R005559L	WE5559L
R005559R	WE5559R
R005560L	WE5560L
R005560R	WE5560R
R005561L	WE5561L
R005561R	WE5561R
R005576L	WE5576L
R005576R	WE5576R
R005652L	WE5652L
R005652R	WE5652R
R005719L	WE5719L
R005719R	WE5719R
R005720L	WE5720L
R005720R	WE5720R
R005722L	WE5722L
R005722R	WE5722R
R005766L	WE5766L
R005766R	WE5766R
R005871L	WE5871L
R005871R	WE5871R

Mfg. Part Number	TRP Part Number
R005872	WE5872
R005900L	WE5900L
R005900R	WE5900R
R005910L	WE5910L
R005910R	WE5910R
R005924L	WE5924L
R005924R	WE5924R
R005977L	WE5977L
R005977R	WE5977R
R005978L	WE5978L
R005978R	WE5978R
R005982L	WE5982L
R005982R	WE5982R
R005983L	WE5983L
R005983R	WE5983R
R005986L	WE5986L
R005986R	WE5986R
R005988L	WE5988L
R005988R	WE5988R
R005989L	WE5989L
R005989R	WE5989R
R005991	WE5991
R005995L	WE5995L
R005996L	WE5996L
R005996R	WE5996R
R005997	WE5997
R005998	WE5998
R005999	WE5999
R006000	WE6000
R006001	WE6001
R006027L	WE6027L
R006027R	WE6027R
R006030	WE6030
R006034	WE6034
R006035	WE6035
R006036	WE6036
R006058L	WE6058L
R006058R	WE6058R
R006059L	WE6059L
R006059R	WE6059R
R006060L	WE6060L
R006060R	WE6060R
R007895L	WE7895L
R007895R	WE7895R

Mfg. Part Number	TRP Part Number
R007896L	WE7896L
R007896R	WE7896R
R007897L	WE7897L
R007897R	WE7897R
R007898L	WE7898L
R007898R	WE7898R
R008947L	WE8947L
R008947R	WE8947R
R008949L	WE8949L
R008949R	WE8949R
R008968L	WE8968L
R008968R	WE8968R
R008969L	WE8969L
R008969R	WE8969R
R008976L	WE8976L
R008976R	WE8976R
R008979L	WE8979L
R008979R	WE8979R
R008987	WE8987
R008989	WE10676
R008990L	WE8990L
R008990R	WE8990R
R009001L	WE9001L
R009001R	WE9001R
R009020	WE9020

### MOTORWHEEL

86478	WE5872
88881	WE5991

### NATIONAL WHEEL & RIM

X1411	WE7898R
X1412	WE7898L
X2143	WE5991
X2156	WE6000

### NAVISTAR

1610751C1	WE5991
-----------	--------

### NSS INDUSTRIES

12452-001	WE5983L
12452-001R	WE5983R
PAC15R	WE5982R
PAC16L	WE5982L
PAC1R	WE5896R

<i>Mfg. Part Number</i>	<i>TRP Part Number</i>
PAC2L	WE5896L

**PETERBILT**

03-04924	WE6000
----------	--------

**PINES TRAILER DDS**

HD32020	WE6000
---------	--------

**SIRCO BRAKE**

333B	WE6000
881M	WE5991

**STRICK**

06188	WE6000
-------	--------

**TRAILMOBILE**

5034B12	WE7898L
---------	---------

**TRANSCRAFT**

POA-554	WE6000
---------	--------

**TRANSIT PARTS**

5034B11	WE7898R
TP727L	WE7898L
TP727R	WE7898R

**WEBB WHEEL**

101160	WE6034
101162	WE6035
101164	WE6036
179933	WE6000
179955	WE5991
188109	WE5986R
188110	WE5986L





*For information, updates, or corrections,  
please contact us at [support@trpparts.com](mailto:support@trpparts.com).*

*No part of this marketing material may be  
reproduced in any manner without written  
permission from TRP North America.*

**TRP North America**

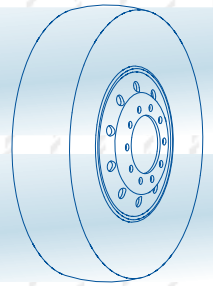
750 Houser Way N.  
Renton, WA 98057

[www.trpparts.com](http://www.trpparts.com)





Parts for all brands of trailers.



**4**

**TRAILER PARTS**

# WHEELS

*Proven, reliable and  
always innovative.*

TRP® offers reliable aftermarket products that are designed and tested to exceed customers' expectations regardless of the trailer make, model or age.

## **WHEELS** *Tire Pressure Maintenance, Wheels & Hubs*





**Tested. Reliable. Guaranteed.**

## Wheels

Choosing the right replacement part or service for your vehicle—whether you own one, or a fleet—is one of the most important decisions you can make for your business. And, with tested TRP® parts it’s an easy decision.

Regardless of the make you drive, TRP quality replacement parts are engineered to fit your truck, trailer or bus. Choose the parts that give you the best value for your business. Check them out at an approved TRP retailer near you.

*The cross reference information in this catalog is based upon data provided by several industry sources and our partners. While every attempt is made to ensure the information presented is accurate, we can bear no liability due to incorrect or incomplete information.*

### Product Availability

*Due to border issues and market demands, not all products are always available in every location. Check for availability in your area with your local TRP® Distributor.*

*No part of this marketing material may be reproduced in any manner without written permission from TRP North America.*

## CONTENTS

### WHEELS & HUBS

<u>Accuride Wheels</u> .....	4-3
Aluminum .....	4-3
Steel .....	4-3
<u>Hubs</u> .....	4-4
Gunitite .....	4-4
Webb .....	4-5

### TIRE PRESSURE MAINTENANCE SYSTEM

<u>Cat’s Eye® Assemblies</u> .....	4-6
Dual Tire – Pressure Valve Assemblies .....	4-6
Super Single Tire – Pressure Valve Assemblies .....	4-7
<u>Replacement Parts</u> .....	4-7
Assembly .....	4-7
Hoses .....	4-8
Tools .....	4-8

### TRP North America

750 Houser Way N.  
Renton, WA 98057

[www.trpparts.com](http://www.trpparts.com)

# WHEELS & HUBS



## ACCURIDE WHEELS

Table 4-1: Wheels – Accuride

Part Number	Description	Size	Hand Holes	Color	Weight
<b>ALUMINUM</b>					
29660ANP	22.5" x 14" HUB Aluminum DUPLEX® with 2.00" Outset - Std. Finish, 12,800 lbs. @ 131 psi	22.5" x 14"		Aluminum	66 lbs.
29644ANP	22.5" x 8.25" HUB Aluminum - Std. Enhanced Finish, 7400 lbs. @ 130 psi	22.5" x 8.25"		Aluminum	47 lbs.
29362ANP	24.5" x 8.25" HUB Aluminum - Std. Enhanced Finish, 7300 lbs. @ 120 psi	24.5" x 8.25"		Aluminum	55 lbs.
<b>STEEL</b>					
29627PKWHT21	22.5" x 14" HUB Steel DUPLEX® with 2.00" Outset White Powder Coat, 12,800 lbs. @ 125 psi	22.5" x 14"		White	127 lbs.
50487PW	22.5" X 8.25" HUB 5 Hand Hole ACCU-LITE® White, 7400 lbs. @ 120 psi	22.5" x 8.25"	5	White	68 lbs.
50487PKWHT21	22.5" X 8.25" HUB 5 Hand Hole ACCU-LITE® White Powder Coat, 7400 lbs. @ 120 psi	22.5" x 8.25"	5	White	68 lbs.
50408PKWHT21	22.5" X 8.25" HUB 2 Hand Hole ACCU-LITE® White Powder Coat, 7400 lbs. @ 120 psi	22.5" x 8.25"	2	White	70 lbs.
50408PW	22.5" X 8.25" HUB 2 Hand Hole ACCU-LITE® White, 7400 lbs. @ 120 psi	22.5" x 8.25"	2	White	70 lbs.
29637PKWHT21	22.5" X 8.25" HUB 10 Hand Hole ACCU-LITE® White Powder Coat, 7400 lbs. @ 120 psi	22.5" x 8.25"	10	White	66 lbs.
50308PG	22.5" x 8.25" HUB 2 Hand Hole STATESMAN® Gray, 7400 lbs. @ 120 psi	22.5" x 8.25"	2	Gray	82 lbs.
50308PW	22.5" X 8.25" HUB 2 Hand Hole STATESMAN® White, 7400 lbs. @ 120 psi	22.5" x 8.25"	2	White	82 lbs.
50307PG	22.5" x 8.25" HUB 5 Hand Hole STATESMAN® Gray, 7400 lbs. @ 120 psi	22.5" x 8.25"	5	Gray	79 lbs.
50307PW	22.5" x 8.25" HUB 5 Hand Hole STATESMAN® White, 7400 lbs. @ 120 psi	22.5" x 8.25"	5	White	79 lbs.
27404PG	22.5" x 8.25" STUD 2 Hand Hole Gray, 7400 lbs. @ 120 psi	22.5" x 8.25"	2	Gray	78 lbs.
27404PW	22.5" x 8.25" STUD 2 Hand Hole White, 7400 lbs. @ 120 psi	22.5" x 8.25"	2	White	78 lbs.
28409PKWHT21	24.5" x 8.25" HUB 2 Hand Hole White Powder Coat, 7400 lbs. @ 120 psi	24.5" x 8.25"	2	White	86 lbs.
29545PKSLV21	24.5" x 8.25" HUB 10 Hand Hole Silver Powder Coat, 7400 lbs. @ 120 psi	24.5" x 8.25"	10	Silver	85 lbs.
28641PKWHT21	24.5" x 8.25" HUB 5 Hand Hole White Powder Coat, 7400 lbs. @ 120 psi	24.5" x 8.25"	5	White	84 lbs.
50379PW	24.5" x 8.25" HUB 2 Hand Hole STATESMAN® White, 7400 lbs. @ 120 psi	24.5" x 8.25"	2	White	90 lbs.
50379PG	24.5" x 8.25" HUB 2 Hand Hole STATESMAN® Gray, 7400 lbs. @ 120 psi	24.5" x 8.25"	2	Gray	90 lbs.
50381PG	24.5" x 8.25" HUB 5 Hand Hole STATESMAN® Gray, 7400 lbs. @ 120 psi	24.5" x 8.25"	5	Gray	88 lbs.
50381PW	24.5" x 8.25" HUB 5 Hand Hole STATESMAN® White, 7400 lbs. @ 120 psi	24.5" x 8.25"	5	White	88 lbs.

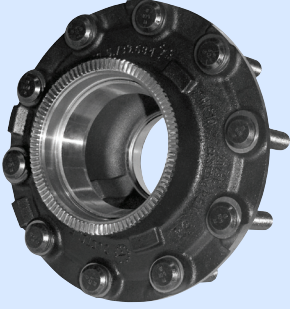


## HUBS

Table 4-2: Hubs – Gunite

Part Number	Description	Type	Weight (lbs.)	Wheel Bolt	Wheel Bolt Standout
<b>GUNITE</b>					
HT818K	Disc Wheel Hub, 7.06" Long	Outboard Mounted	47.4	W1327, W1160	
HT818RC	Disc Wheel Hub, 7.11" Long	Outboard Mounted	55	W1327	
HT818RD	Disc Wheel Hub, 7.5" Long	Outboard Mounted	55	W1160	
HT794J	Trailer Hub "N" Axle, Hub Pilot, ABS, S-Cam	Bolt on Hubcap	40	None	None
HT794RD	Trailer Hub "N" Axle, Hub Pilot, ABS, S-Cam, for Aluminum Disc Wheels	Bolt on Hubcap	47	W1402	3.96
HT794RE	Trailer Hub "N" Axle, Hub Pilot, ABS, S-Cam, for Steel Disc Wheels	Bolt on Hubcap	46	W1401	2.94
HT799J	Trailer Hub "P" Axle, Hub Pilot, ABS, S-Cam	Threaded Hubcap	42	None	None
HT799RC	Trailer Hub "P" Axle, Hub Pilot, ABS, S-Cam, for Steel Disc Wheels	Threaded Hubcap	48	W1401	2.94
HT799RD	Trailer Hub "P" Axle, Hub Pilot, ABS, S-Cam, for Aluminum Disc Wheels	Threaded Hubcap	49	W1402	3.96
HT821J	Trailer Hub "P" Axle, Hub Pilot, ABS, S-Cam	Bolt on Hubcap	41	None	None
HT821RC	Trailer Hub "P" Axle, Hub Pilot, ABS, S-Cam, for Steel Disc Wheels	Bolt on Hubcap	47	W1401	2.94
HT821RD	Trailer Hub "P" Axle, Hub Pilot, ABS, S-Cam, for Aluminum Disc Wheels	Bolt on Hubcap	48	W1402	3.96
HT840J	Trailer Hub "P" Axle, Hub Pilot, ABS, ADB	Bolt on Hubcap	51	None	None
HT840RC	Trailer Hub "P" Axle, Hub Pilot, ABS, ADB, for Steel Disc Wheels	Bolt on Hubcap	59	W1400	2.76
HT840RD	Trailer Hub "P" Axle, Hub Pilot, ABS, ADB, for Aluminum Disc Wheels	Bolt on Hubcap	58	W1402	3.48
HT842J	Trailer Hub "N" Axle, Hub Pilot, ABS, ADB	Bolt on Hubcap	53	None	None
HT842RG	Trailer Hub "N" Axle, Hub Pilot, ABS, ADB, for Steel Disc Wheels	Bolt on Hubcap	61	W1400	2.8
HT842RJ	Trailer Hub "N" Axle, Hub Pilot, ABS, ADB, for Aluminum Disc Wheels	Bolt on Hubcap	62	W1402	3.52

Information provided by Gunite Corporation.

Table 4-3: Hubs – Webb

Product	Part Number	Description
	20231-3T	3T is Stud Standout for Dual Steel Wheels, Hub/Cup/Stud/ABS Sub-Assy, TN Trailer Application
	20231-5T	5T is Stud Standout for Dual Steel Wheels, Hub/Cup/Stud/ABS Sub-Assy, TN Trailer Application
	23431-3T	3T is Stud Standout for Dual Steel Wheels, Hub/Cup/Stud/ABS Sub-Assy, TP Trailer Application
	23431-5T	5T is Stud Standout for Dual Steel Wheels, Hub/Cup/Stud/ABS Sub-Assy, TP Trailer Application
	75209A	Spoke Wheel Sub-Assy, TN Trailer Axle Application
	75209AT	Spoke Wheel Sub-Assy, TN Trailer Axle Application, "AT" is ABS Application

Information provided by Webb Wheel Products, Inc.

# TIRE PRESSURE MAINTENANCE SYSTEM



The Retail Bubble Package and Box contain Cat's Eye® units (2 or 4 per) with reinforced rubber/stainless steel hoses, mounting brackets, "How To Read Cat's Eye" decal, installation instructions & warranty card.

## CAT'S EYE® ASSEMBLIES

Table 4-4: Tire Pressure – Cat's Eye® Valve Assemblies

Part Number	Description	PSI Rating
<b>DUAL TIRE – PRESSURE VALVE ASSEMBLIES</b>		
6080AA00	80 PSI, 16" Rubber 2/Package	80
6080BA00	80 PSI, 16" Rubber, 4/Box	80
6085AA00	85 PSI, 16" Rubber, 2/Package	85
6085BA00	85 PSI, 16" Rubber, 4/Box	85
6090AA00	90 PSI, 16" Rubber, 2/Package	90
6090BA00	90 PSI, 16" Rubber, 4/Box	90
6095AA00	95 PSI, 16" Rubber, 2/Package	95
6100AA00	100 PSI, 16" Rubber, 2/Package	100
6100BA00	100 PSI, 16" Rubber, 4/Box	100
6105AA00	105 PSI, 16" Rubber, 2/Package	105
6105BA00	105 PSI, 16" Rubber, 4/Box	105
6110AA00	110 PSI, 16" Rubber, 2/Package	110
6110BA00	110 PSI, 16" Rubber, 4/Box	110
6115AA00	115 PSI, 16" Rubber, 2/Package	115
6115BA00	115 PSI, 16" Rubber, 4/Box	115
6120AA00	120 PSI, 16" Rubber, 2/Package	120
6120BA00	120 PSI, 16" Rubber, 4/Box	120
6125AA00	125 PSI, 16" Rubber, 2/Package	125
6125BA00	125 PSI, 16" Rubber, 4/Box	125
6080AB00	80 PSI, 16" Stainless Steel, 2/Package	80
6080BB00	80 PSI, 16" Stainless Steel, 4/Box	80
6085AB00	85 PSI, 16" Stainless Steel, 2/Package	85
6085BB00	85 PSI, 16" Stainless Steel, 4/Box	85
6090AB00	90 PSI, 16" Stainless Steel, 2/Package	90
6095AB00	95 PSI, 16" Stainless Steel, 2/Package	95
6095BB00	95 PSI, 16" Stainless Steel, 4/Box	95
6100AB00	100 PSI, 16" Stainless Steel, 2/Package	100
6100BB00	100 PSI, 16" Stainless Steel, 4/Box	100
6105AB00	105 PSI, 16" Stainless Steel, 2/Package	105

Information provided by Link® Manufacturing, Ltd.

Part Number	Description	PSI Rating
6105BB00	105 PSI, 16" Stainless Steel, 4/Box	105
6110AB00	110 PSI, 16" Stainless Steel, 2/Package	110
6110BB00	110 PSI, 16" Stainless Steel, 4/Box	110
6115AB00	115 PSI, 16" Stainless Steel, 2/Package	115
6115BB00	115 PSI, 16" Stainless Steel, 4/Box	115
6120AB00	120 PSI, 16" Stainless Steel, 2/Package	120
6120BB00	120 PSI, 16" Stainless Steel, 4/Box	120
6125AB00	125 PSI, 16" Stainless Steel, 2/Package	125
6125BB00	125 PSI, 16" Stainless Steel, 4/Box	125

### SUPER SINGLE TIRE – PRESSURE VALVE ASSEMBLIES

6080AC00	80 PSI, 16" Rubber, 2/Package	80
6080BC00	80 PSI, 16" Rubber, 4/Box	80
6085AC00	85 PSI, 16" Rubber, 2/Package	85
6085BC00	85 PSI, 16" Rubber, 4/Box	85
6090AC00	90 PSI, 16" Rubber, 2/Package	90
6095AC00	95 PSI, 16" Rubber, 2/Package	95
6095BC00	95 PSI, 16" Rubber, 4/Box	95
6100AC00	100 PSI, 16" Rubber, 2/Package	100
6100BC00	100 PSI, 16" Rubber, 4/Box	100
6105AC00	105 PSI, 16" Rubber, 2/Package	105
6105BC00	105 PSI, 16" Rubber, 4/Box	105
6110BC00	110 PSI, 16" Rubber, 4/Box	110
6115AC00	115 PSI, 16" Rubber, 2/Package	115
6115BC00	115 PSI, 16" Rubber, 4/Box	115
6120AC00	120 PSI, 16" Rubber, 2/Package	120
6120BC00	120 PSI, 16" Rubber, 4/Box	120
6125AC00	125 PSI, 16" Rubber, 2/Package	125

Information provided by Link® Manufacturing, Ltd.

## REPLACEMENT PARTS

Table 4-5: Trailer - Cat's Eye Replacement Parts

Part Number	Description
<b>ASSEMBLY</b>	
60002019	Cat's Eye Air Inlet Fitting
60003009	Cat's Eye Universal Wheel Bracket
60003010	Cat's Eye Universal Wheel Hub
60004222	Cat's Eye Replacement Seal
6130BB00	Cat's Eye

Information provided by Link® Manufacturing, Ltd.

Part Number	Description
-------------	-------------

## Hoses

60004312	6" Hose Protector
60005024	Hose Assembly, 12" Rubber, Straight Hose End
60005028	Hose Assembly, 14" Rubber, Straight Hose End
60005032	Hose Assembly, 16" Rubber, Straight Hose End
60005824	Hose Assembly, 12" Rubber, 180 Deg. Hose End
60005828	Hose Assembly, 14" Rubber, 180 Deg. Hose End
60005832	Hose Assembly, 6" Rubber, 180 Deg. Hose End
60005074	Hose Assembly, 12" Stainless Steel, Straight Hose End
60005078	Hose Assembly, 14" Stainless Steel, Straight Hose End
60005082	Hose Assembly, 16" Stainless Steel, Straight Hose End
60005874	Hose Assembly, 12" Stainless Steel, 180 Deg. Hose End
60005878	Hose Assembly, 14" Stainless Steel, 180 Deg. Hose End
60005882	Hose Assembly, 16" Stainless Steel, 180 Deg. Hose End

## Tools

60009050	Cat's Eye Valve Stem Repair Tool
60009060	Deluxe Cat's Eye Valve Stem Repair Tool

Information provided by Link® Manufacturing, Ltd.







*For information, updates, or corrections,  
please contact us at [support@trpparts.com](mailto:support@trpparts.com).*

*No part of this marketing material may be  
reproduced in any manner without written  
permission from TRP North America.*

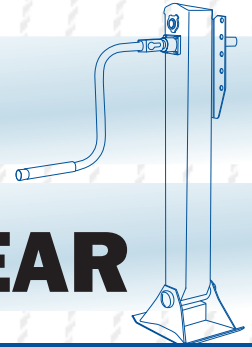
**TRP North America**

750 Houser Way N.  
Renton, WA 98057

[www.trpparts.com](http://www.trpparts.com)



Parts for all brands of trailers.



**5**

**TRAILER PARTS**

# LANDING GEAR

*Proven, reliable and  
always innovative.*

TRP® offers reliable aftermarket products that are designed and tested to exceed customers' expectations regardless of the trailer make, model or age.

## LANDING GEAR & King Pins





**Tested. Reliable. Guaranteed.**

## Landing Gear

Choosing the right replacement part or service for your vehicle—whether you own one, or a fleet—is one of the most important decisions you can make for your business. And, with tested TRP® parts it's an easy decision.

Regardless of the make you drive, TRP quality replacement parts are engineered to fit your truck, trailer or bus. Choose the parts that give you the best value for your business. Check them out at an approved TRP retailer near you.

*The cross reference information in this catalog is based upon data provided by several industry sources and our partners. While every attempt is made to ensure the information presented is accurate, we can bear no liability due to incorrect or incomplete information.*

### Product Availability

*Due to border issues and market demands, not all products are always available in every location. Check for availability in your area with your local TRP® Distributor.*

*No part of this marketing material may be reproduced in any manner without written permission from TRP North America.*

## CONTENTS

### HOLLAND LANDING GEAR

<a href="#">Holland – 51000 Standard Assembly</a> . . . . .	5-6
<a href="#">Holland – 51000 Standard Travel</a> . . . . .	5-8
<a href="#">Holland – 51000 NoLube Assembly</a> . . . . .	5-9
<a href="#">Holland – 51000 NoLube Travel</a> . . . . .	5-11
<a href="#">Holland – 51000 Dimensions</a> . . . . .	5-12
<a href="#">Holland – 50000 Standard Assembly</a> . . . . .	5-13
<a href="#">Holland – 50000 Standard Travel</a> . . . . .	5-15
<a href="#">Holland – 50000 NoLube Assembly</a> . . . . .	5-16
<a href="#">Holland – 50000 NoLube Travel</a> . . . . .	5-18
<a href="#">Holland – 50000 Dimensions</a> . . . . .	5-19
<a href="#">Holland – Mark V Assembly</a> . . . . .	5-20
<a href="#">Holland – Mark V Leg Assemblies</a> . . . . .	5-23
Outer Leg Assemblies . . . . .	5-23
Inner Leg Assemblies . . . . .	5-23
<a href="#">Holland – Mark V Dimensions</a> . . . . .	5-25
<a href="#">Holland – Mark V Shafts &amp; Crank Handles</a> . . . . .	5-26
Mark V Replacement Shafts . . . . .	5-26
Mark V Crank Handles . . . . .	5-27
<a href="#">Holland – CMS2 Assembly</a> . . . . .	5-28
<a href="#">Holland – CMS2 Travel</a> . . . . .	5-30
<a href="#">Holland – CMS3 Assembly</a> . . . . .	5-31

### TRP North America

750 Houser Way N.  
Renton, WA 98057

[www.trpparts.com](http://www.trpparts.com)

<u>Holland – CMS3 Travel</u> . . . . .	5-33	Removable-Style Crank Handle . . . . .	5-56
<u>Holland – FG4000 Standard Assembly</u> . . . . .	5-34	Dolly Jack Crank Handles . . . . .	5-56
<u>Holland – FG4000 Standard Travel</u> . . . . .	5-36	Stabilizer Jack Crank Handle . . . . .	5-57
<u>Holland – FG4000 NoLube Assembly</u> . . . . .	5-37	Crank Hangers . . . . .	5-57
<u>Holland – FG4000 NoLube Travel</u> . . . . .	5-39	Crankshaft Adapters . . . . .	5-58
<u>Holland – FG4000 Dimensions</u> . . . . .	5-40	Crankshaft Bracket . . . . .	5-58
<u>Holland – Dual-Pin Drop Leg</u> . . . . .	5-41	Crankshaft Extensions . . . . .	5-58
<u>Holland – 4700 Series</u> . . . . .	5-43	Mark V Extension Bracket Kit . . . . .	5-59
<u>Holland – 4701 Series</u> . . . . .	5-45	Shiftshaft Extension and Cross Drive Shaft . . . . .	5-59
<u>Holland – 48000 Series</u> . . . . .	5-47	Horn Extension . . . . .	5-59
<u>Holland – 49000</u> . . . . .	5-49	Cross Drive Shaft . . . . .	5-59
49000 Gooseneck Assembly . . . . .	5-49	<u>Holland – Braces</u> . . . . .	5-60
49000 Anti-Nose Dive Assembly . . . . .	5-49	Brace Ears . . . . .	5-60
49000 Anti-Nose Dive Inner Tube . . . . .	5-50	Strut Braces . . . . .	5-61
<u>Holland – Replacement Landing Gear Shafts</u> . . . . .	5-50	Brace Installation Kits . . . . .	5-62
<u>Holland – Crank Handles</u> . . . . .	5-53	Brace Installation Kits - Binkley & Westran . . . . .	5-62
Vertical Folding OEM Universal-Style Crank Handles . . . . .	5-53	Brace Installation Kits - Mark V . . . . .	5-62
Horizontal Folding OEM Universal-Style Crank Handles . . . . .	5-53	<u>Holland – Shoes</u> . . . . .	5-63
Vertical Folding Aftermarket Universal-Style Crank Handles . . . . .	5-53	Standard Sand Shoes . . . . .	5-63
Horizontal Folding Aftermarket Universal-Style Crank Handles . . . . .	5-53	Low Profile and Weight Saver Sand Shoes . . . . .	5-63
Vertical Folding OEM Mark V Crank Handles . . . . .	5-54	Heavy Duty Sand Shoes . . . . .	5-63
Horizontal Folding OEM Mark V Crank Handles . . . . .	5-54	Extreme Duty Sand Shoe . . . . .	5-63
Vertical Folding Aftermarket Mark V Crank Handles . . . . .	5-54	Additional Sand Shoes . . . . .	5-63
Horizontal Folding Aftermarket Mark V Crank Handles . . . . .	5-54	Sand Shoe Kits . . . . .	5-64
Easy Bar Handles . . . . .	5-55	Specialty Shoes . . . . .	5-65
Vertical Folding Fruehauf-Style Crank Handles . . . . .	5-55	<u>Holland – Removable Cushion Foot Assemblies</u> . . . . .	5-66
Horizontal Folding Fruehauf-Style Crank Handles . . . . .	5-55	Removable Cushion Foot – Square . . . . .	5-66
Vertical Folding Speed Crank . . . . .	5-55	Removable Cushion Foot – Sand Shoe . . . . .	5-67
Horizontal Folding Speed Crank . . . . .	5-56	Removable Cushion Foot – Round . . . . .	5-67
Speed Crank Replacement Parts . . . . .	5-56	Removable Cushion Foot – Replacement Parts . . . . .	5-68
		<u>Holland – Axles</u> . . . . .	5-68
		Hollow Axles . . . . .	5-68
		Solid Axles . . . . .	5-69
		Axle Housing . . . . .	5-69

Holland – Wheels & Casters . . . . . 5-70

    Standard Wheels . . . . . 5-70

    Heavy Duty Wheel/Shoe Combination . . . . . 5-70

    Swivel Casters . . . . . 5-71

**JOST LANDING GEAR**

Jost – A400 & A401 . . . . . 5-72

    Outer Housing . . . . . 5-73

    Inner Leg Assemblies . . . . . 5-73

Jost – A400 & A401, Components . . . . . 5-74

**KING PINS**

Holland – 2" & 3.5" SAE King Pin . . . . . 5-76

    2" Cruciform . . . . . 5-76

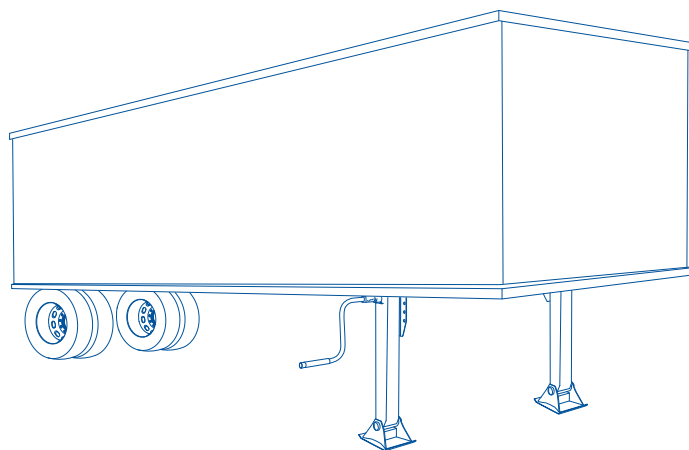
    2" Double Spool . . . . . 5-76

    2" Mushroom . . . . . 5-76

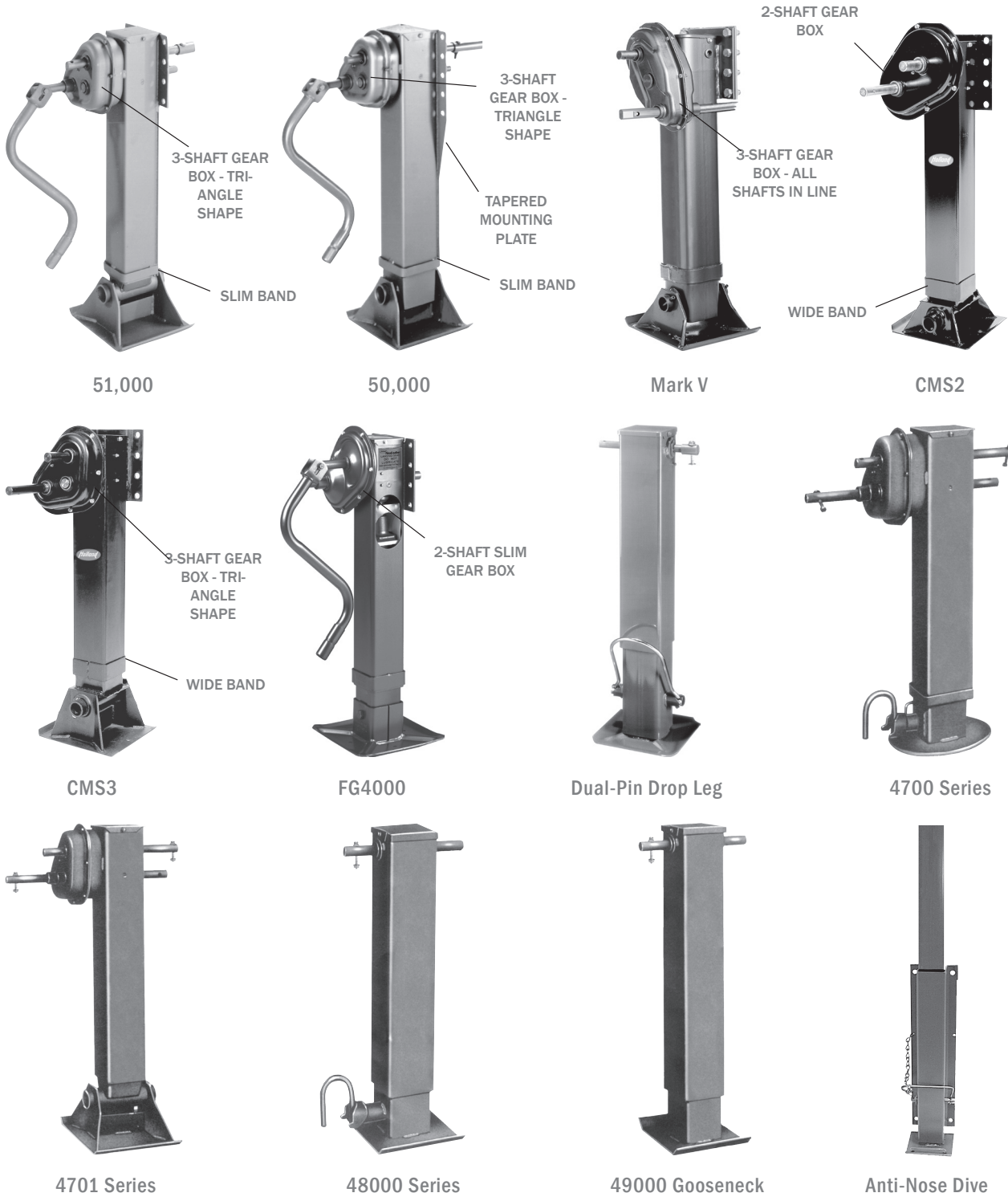
    3.5" Mushroom . . . . . 5-77

    2" Replaceable Series . . . . . 5-77

    3.5" Replaceable Series . . . . . 5-77



# HOLLAND LANDING GEAR\*



\* Information provided by SAF-Holland Group.

# HOLLAND - 51000 STANDARD ASSEMBLY

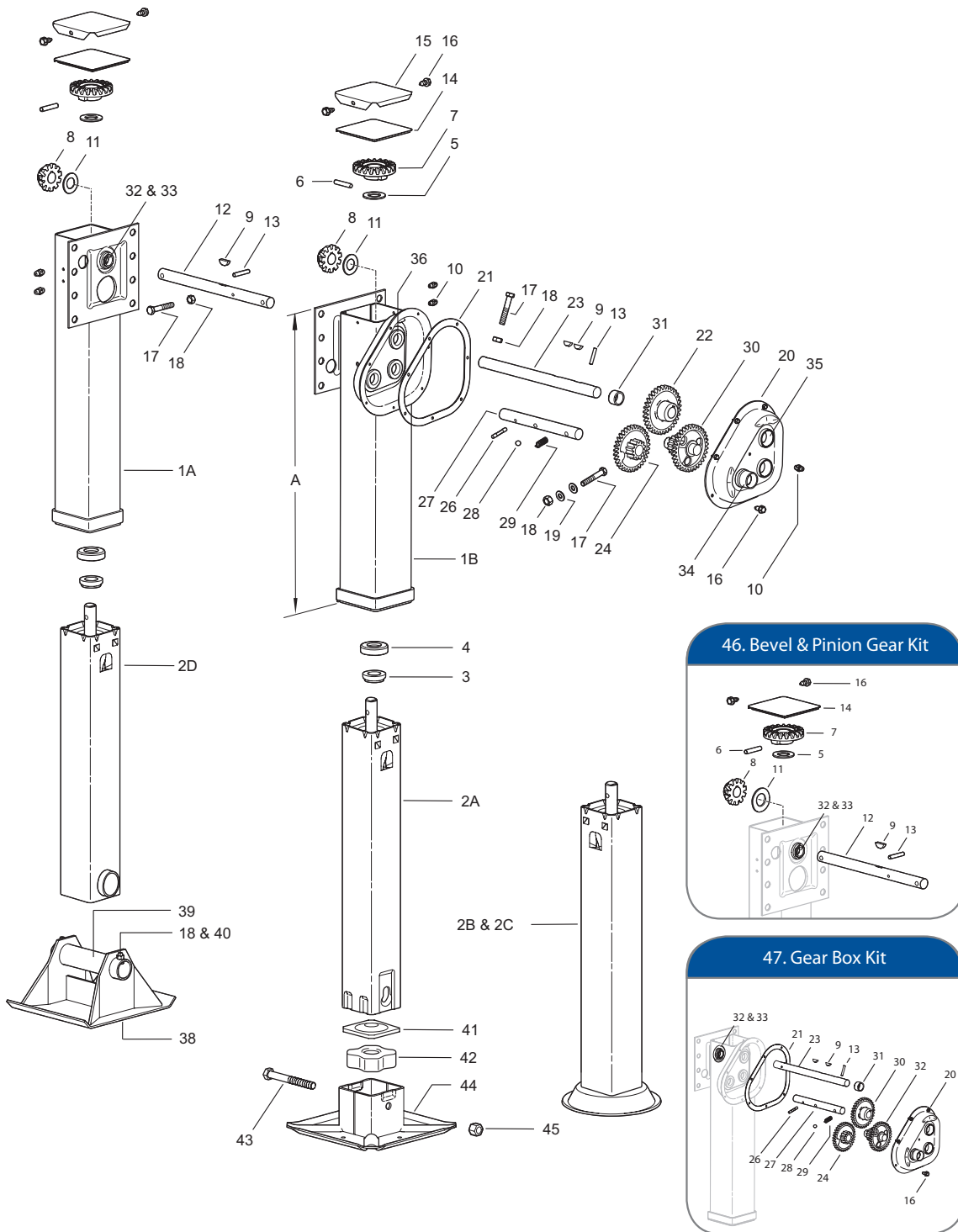




Table 5-1: 51000 Standard Assembly

Part Number	Description	Item No.	One Speed	Two Speed
XB-LG0544	Collar	3	1	1
XB-BRG-013-77	Thrust Bearing	4	1	1
XB-PW-016-62	Washer - FL 2" OD x 1.192 ID x .125 THK	5	1	1
XA-CRP-V-06635	Pin - 3/8"dia. X 2"	6	1	1
XA-LG0570-01	Bevel Gear	7	1	1
XB-LG1823-01	Pinion Gear	8	1	1
XB-KEY-018-02	Key - Woodruff .25" x .875"	9	1	2
XB-GRF-022-16	Ftg - Grease .25"-28 Self Tapping	10	2	3
XB-PW-016-19	Washer - Fl 1.875"OD x 1.015"ID x .065" THK	11	1	1
LG0927	Jack Shaft LH Universal Mount	12	1	-
LG0946	LH Standard Mount	12	1	-
LG0946-02	LH Conventional Mount	12	1	-
LG0948	LH Reverse Mount	12	1	-
XB-SP-014-27	Pin - Spring Dia .25" x 1.5"	13	1	1
XB-LG0893	Gasket	14	1	1
XA-LG0880	Cover	15	1	1
XB-STS-008-11	Self-Tapping Screw .25"-20 x .5" Lg	16	2	9
XB-HHC-050-42	Screw, Hex Cap .38"-16 x 2.25"Lg GR5	17	1	2
XB-SLN-012-04	Self-Locking Nut .38"-16	18	2	3
XB-PW-016-03	Washer .38" Std Type A	19	-	2
XB-LG0663	Gearbox Half, Outside	20	-	1
XB-LG0428	Gearbox Gasket	21	-	1
LG0543-01	Output Gear	22	-	1
LG0928	Jackshaft RH - Universal	23	-	1
LG0947	RH I-Beam	23	-	1
LG0947-02	RH Conventional	23	-	1
LG0949	RH Reverse	23	-	1
LG0541-01	Input Gear	24	-	1
XB-GP-014-07	Groove Pin, Type E Ø.25" x 1.50" Lg	26	-	1
LG0261-01	Shift Shaft - Universal	27	-	1
LG0371-01	I-Beam & Conventional, 2.56"	27	-	1
LG0437	Reverse, 2.19"	27	-	1
XB-BAL-023-07	Shift Lock Ball	28	-	1
XB-SPG-020-36	Shift Lock Spring	29	-	1
XB-LG0542-01	Idler Gear	30	-	1
XB-LG0219-01	Spacer Bushing	31	-	1
LG2094	Retainer, Hex Lock	32	2	1
LG2095	Hex Lock Boss	33	2	1
XB-LG0658-01	Shift Lock Boss	34	-	1
XB-LG0659-01	Gearbox Boss	35	-	4
XB-LG0660	Gearbox Boss, Inside Half	36	-	1
50616001	Sandshoe 10" X 10" X 4.50"	38	1	1
50616000	Sandshoe 10" X 12" X 4.50"	38	1	1

<i>Part Number</i>	<i>Description</i>	<i>Item No.</i>	<i>One Speed</i>	<i>Two Speed</i>
50616008	Sandshoe 10" X 10" X 2.00"	38	1	1
50616007	Sandshoe 10" X 12" X 2.00"	38	1	1
LG0070-02	Sandshoe Axle - Hollow Axle 8.50" Lg	39	1	1
XB-HHC-050-69	Screw, Hex Cap .38"-16 X .75" Lg GR5	40	1	1
LG0725	Cushion Foot Plate	41	1	1
XB-LG0726	Cushion Foot Rubber	42	1	1
XB-HHB-050-70	Bolt - Hex Head .63" -11 x 5.50"	43	1	1
LG0718-01	R.C.F. 10" Dia.	44	1	1
LG0740-01	R.C.F. 12" Dia.	44	1	1
LG0732-01	R.C.F. 10" x 10"	44	1	1
XB-SP0012-10	Self-Locking Nut - .63"-11"	45	1	1
RK-11288	Bevel & Pinion Gear Repair Kit	46	1	1
RK-11289	Gear Box Repair Kit	47	-	1

## HOLLAND – 51000 STANDARD TRAVEL

Table 5-2: 51000 Standard Travel Measurements

<i>Part Number</i>	<i>Description</i>	<i>Item No.</i>	<i>Travel</i>	<i>"A" Dimension</i>
LG0884-02	Retract Tube - RCF, 17" Travel	2A	17"	30.06"
LG0884-04	Retract Tube - RCF, 17" Travel	2A	17"	28.06"
LG0884-03	Retract Tube - RCF, 19" Travel	2A	19"	30.06"
LG0884-05	Retract Tube - RCF, 15-1/2" Travel	2A	15-1/2"	26.56"
LG0884-01	Retract Tube - RCF, 13-1/2" Travel	2A	13-1/2"	25.56"
LG0624-07	Retract Tube - 10" Shockfoot	2B	13-1/2"	28.06"
LG0624-10	Retract Tube - 10" Shockfoot	2B	17"	28.06"
LG0624-08	Retract Tube - 10" Shockfoot	2B	17"	30.06"
LG0624-09	Retract Tube - 10" Shockfoot	2B	19"	30.06"
LG0624-01	Retract Tube - 12" Shockfoot	2C	13-1/2"	28.06"
LG0624-11	Retract Tube - 12" Shockfoot	2C	17"	28.06"
LG0624-02	Retract Tube - 12" Shockfoot	2C	17"	30.06"
LG0624-03	Retract Tube - 12" Shockfoot	2C	19"	30.06"
LG0914-01	Retract Tube - Axle	2D	13-1/2"	25.56"
LG0914-04	Retract Tube - Axle	2D	15-1/2"	26.56"
LG0914-02	Retract Tube - Axle	2D	17"	28.06"
LG0914-03	Retract Tube - Axle	2D	19"	30.06"

# HOLLAND – 51000 NoLUBE ASSEMBLY

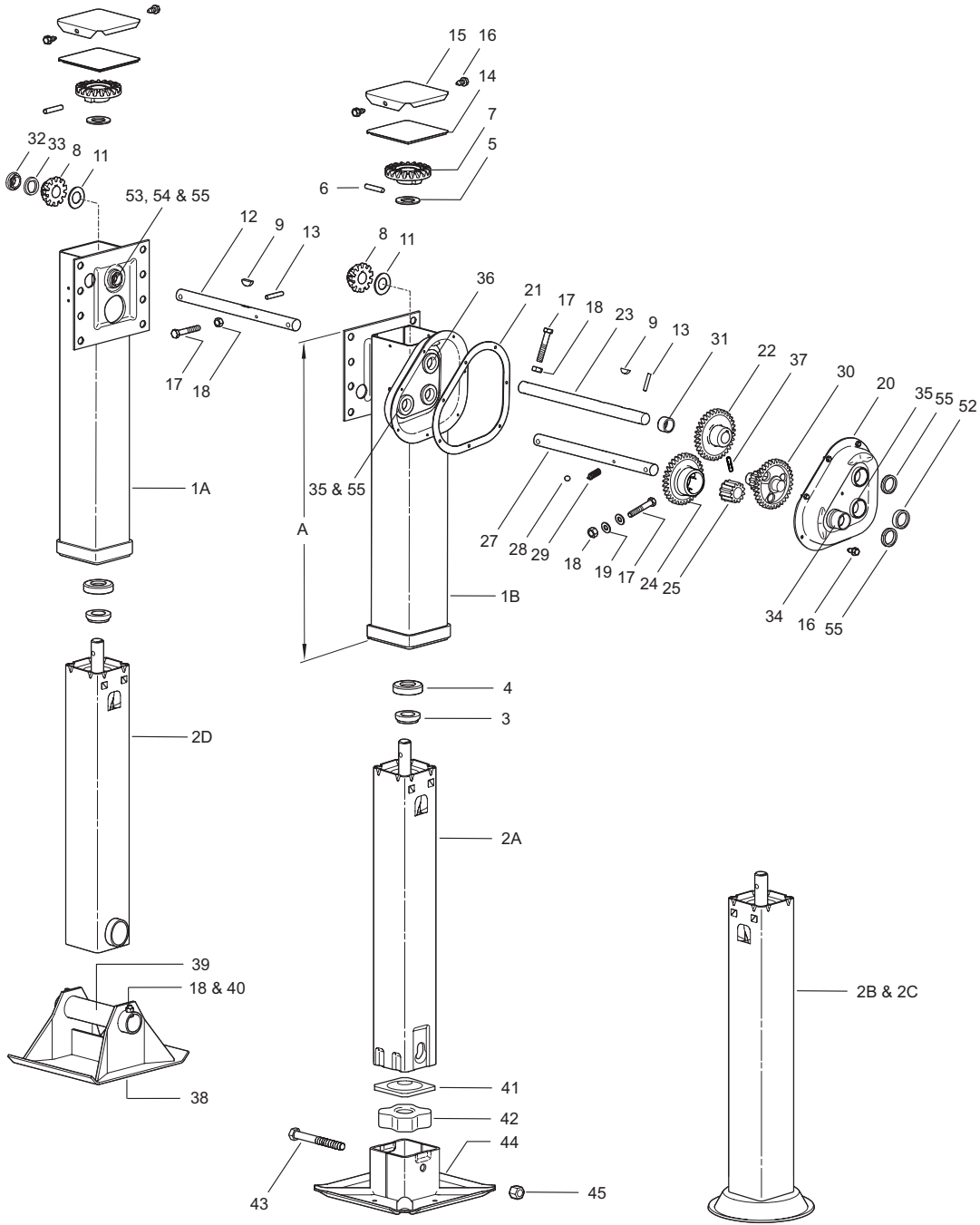


Table 5-3: 51000 NoLube Assembly

Part Number	Description	Item No.	One Speed	Two Speed
XB-LG0544	Collar	3	1	1
XB-BRG-013-77	Thrust Bearing	4	1	1
XB-PW-016-62	Washer - FL 2" OD x 1.192" ID x .125" THK	5	1	1
XA-CRP-V-06635	Pin - Grooved 3/8"dia. X 2"	6	1	1

<i>Part Number</i>	<i>Description</i>	<i>Item No.</i>	<i>One Speed</i>	<i>Two Speed</i>
XA-LG0570-01	Bevel Gear	7	1	1
LG1823-01	Pinion Gear	8	1	1
XB-KEY-018-02	Key - Woodruff .250" x .875"	9	1	2
XB-PW-016-19	Washer - Fl 1.875"OD x 1.015"ID x .065"THK	11	1	1
LG0927	Jack Shaft LH Universal Mount	12	1	-
LG0946	LH Standard Mount	12	1	-
LG0946-02	LH Conventional Mount	12	1	-
LG0948	LH Reverse Mount	12	1	-
XB-SP-014-27	Pin - Spring Dia. .25" x 1.50"	13	1	1
XB-LG0893	Gasket	14	1	1
XA-LG0880	Cover	15	1	1
XB-STS-008-11	Self-Tapping Screw - .25"-20 x .50" Lg.	16	2	9
XB-HHC-050-42	Screw, Hex Cap .38"-16 X 2.25"Lg GR5	17	1	2
XB-SLN-012-04	Self-Locking Nut .38"-16	18	2	3
XB-PW-016-03	Washer .38" Std Type A	19	-	2
LG0663-11	Gearbox Half Assy - Outside - Sealed	20	-	1
XB-LG0428	Gearbox Gasket	21	-	1
LG0543-01	Output Gear	22	-	1
LG0928	Jackshaft RH - Universal	23	-	1
LG0947	RH I-Beam	23	-	1
LG0947-02	RH Conventional	23	-	1
LG0949	RH Reverse	23	-	1
XD-LG0856	Input Gear - High	24	-	1
XB-LG0857-01	Input Gear - Low	25	-	1
LG0861-01	Shift Shaft - Universal EZ Shift	27	-	1
LG0859-01	I-Beam & Conventional EZ Shift	27	-	1
LG0858	Reverse EZ Shift	27	-	1
XB-BAL-023-07	Shift Lock Ball	28	-	1
XB-SPG-020-36	Shift Lock Spring	29	-	1
XB-LG0542-01	Idler Gear	30	-	1
XB-LG0219-01	Spacer Bushing	31	-	1
XB-LG1570	Retainer, Hex Lock	32	1	-
LG0559-10	Hex Lock Boss w/Seals	33	1	-
XB-LG0658-01	Shift Lock Boss	34	-	1
XB-LG0659-01	Gearbox Boss	35	-	4
XB-LG0660	Gearbox Boss, Inside Half	36	-	1
XB-GP-052-22	Groove Pin - .25" x 1.25" Type E	37	-	1
50616001	Sandshoe 10" X 10" X 4.50"	38	1	1
50616000	Sandshoe 10" X 12" X 4.50"	38	1	1
50616008	Sandshoe 10" X 10" X 2.00"	38	1	1
50616007	Sandshoe 10" X 12" X 2.00"	38	1	1
LG0070-02	Sandshoe Axle - Hollow Axle 8.50" Lg	39	1	1
XB-HHC-050-69	Screw, Hex Cap .38"-16 X .75" Lg GR5	40	1	1
LG0725	Cushion Foot Plate	41	1	1

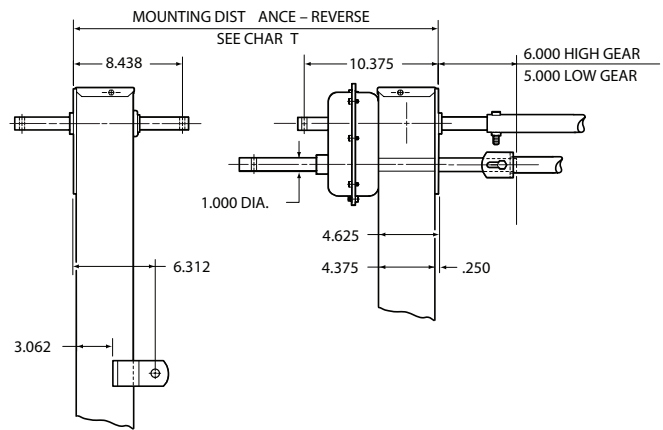
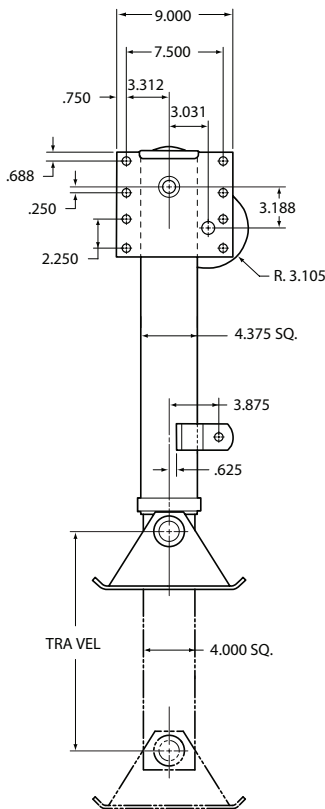
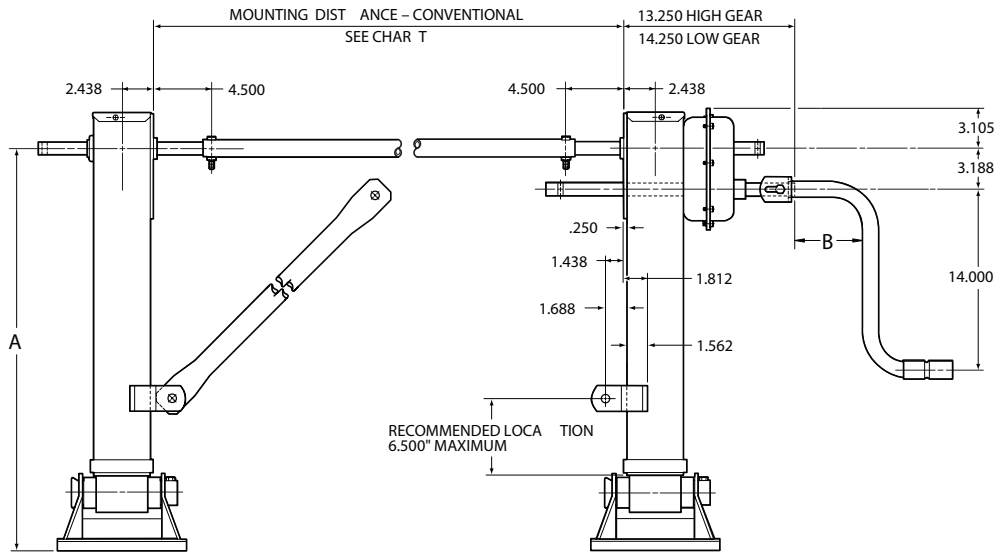
<i>Part Number</i>	<i>Description</i>	<i>Item No.</i>	<i>One Speed</i>	<i>Two Speed</i>
XB-LG0726	Cushion Foot Rubber	42	1	1
XB-HHB-050-70	Bolt - Hex Head 5/8" -11 x 5.50"	43	1	1
LG0718-01	R.C.F. 10" Dia.	44	1	1
LG0740-01	R.C.F. 12" Dia.	44	1	1
LG0732-01	R.C.F. 10" x 10"	44	1	1
XB-SP0012-10	Self-Locking Nut - .63"-11	45	1	1
XB-SEL-030-22	Freeze Plug	52	-	1
XB-LG219-02	Bushing	53	1	1
LG1326	Short Boss	54	1	1
XB-SEL-030-17	Oil Seal	55	1	4

## HOLLAND – 51000 NoLUBE TRAVEL

Table 5-4: 51000 NoLube Travel Measurements

<i>Part Number</i>	<i>Description</i>	<i>Item No.</i>	<i>Travel</i>	<i>"A" Dimension</i>
LG0884-11	Retract Tube Ass'y - RCF	2A	13-1/2"	25.562"
LG0884-15	Retract Tube Ass'y - RCF	2A	15-1/2"	26.562"
LG0884-14	Retract Tube Ass'y - RCF	2A	17"	28.062"
LG0884-12	Retract Tube Ass'y - RCF	2A	17"	30.062"
LG0884-13	Retract Tube Ass'y - RCF	2A	19"	30.062"
LG0624-43	Retract Tube Ass'y - 10 Dia. Shock Foot	2B	17"	28.062"
LG0624-45	Retract Tube Ass'y - 10 Dia. Shock Foot	2B	17"	30.062"
LG0624-47	Retract Tube Ass'y - 10 Dia. Shock Foot	2B	19"	30.062"
LG0624-48	Retract Tube Ass'y - 12 Dia. Shock Foot	2C	17"	28.602"
LG0624-46	Retract Tube Ass'y - 12 Dia. Shock Foot	2C	17"	30.062"
LG0914-11	Retract Tube Ass'y - Axle Socket	2D	13-1/2"	28.062"
LG0914-14	Retract Tube Ass'y - Axle Socket	2D	15-1/2"	26.562"
LG0914-12	Retract Tube Ass'y - Axle Socket	2D	17"	30.062"
LG0914-13	Retract Tube Ass'y - Axle Socket	2D	19"	30.062"

# HOLLAND - 51000 DIMENSIONS



## 51,000 DIMENSIONS

TRAVEL	"A" 10x10x4-1/2 & 10x12x4-1/2 Sandshoe	"A" 10x10x2 & 10x12x2 Sandshoe	"A" SHOCKFOOT	"A" R.C.F - MRL	"A" R.C.F - STD	CRANK PART NO.	"B"
13.5"	28.688	26.188	29.000	27.250	---	LG0083-01	5.250
15.5"	29.688	27.188	---	28.250	---	LG0083-03	10.875
17"	31.188	28.688	31.750	29.750	31.750	---	---
19"	33.688	31.188	31.750	---	32.375	LG0083-05	16.875

## MOUNTING DISTANCES

REVERSE MOUNTING DISTANCE	96" WIDE TRAILER	102" WIDE TRAILER	CONVENTIONAL MOUNTING DISTANCE	96" WIDE TRAILER	102" WIDE TRAILER
Maximum	84.00	90.00	Maximum	67.50	73.50
Minimum - LG0083-01	78.00	84.00	Minimum - LG0083-01	61.50	67.50
Minimum - LG0083-03	66.75	72.75	Minimum - LG0083-03	50.25	56.25
Minimum - LG0083-05	54.75	60.75	Minimum - LG0083-05	38.25	44.25

# HOLLAND - 50000 STANDARD ASSEMBLY

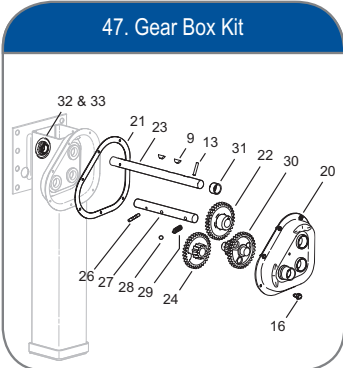
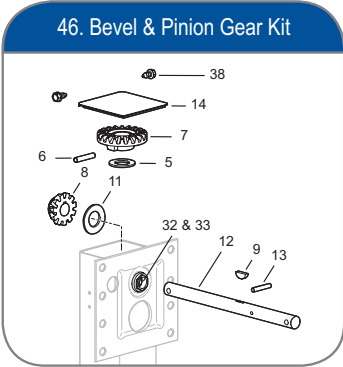
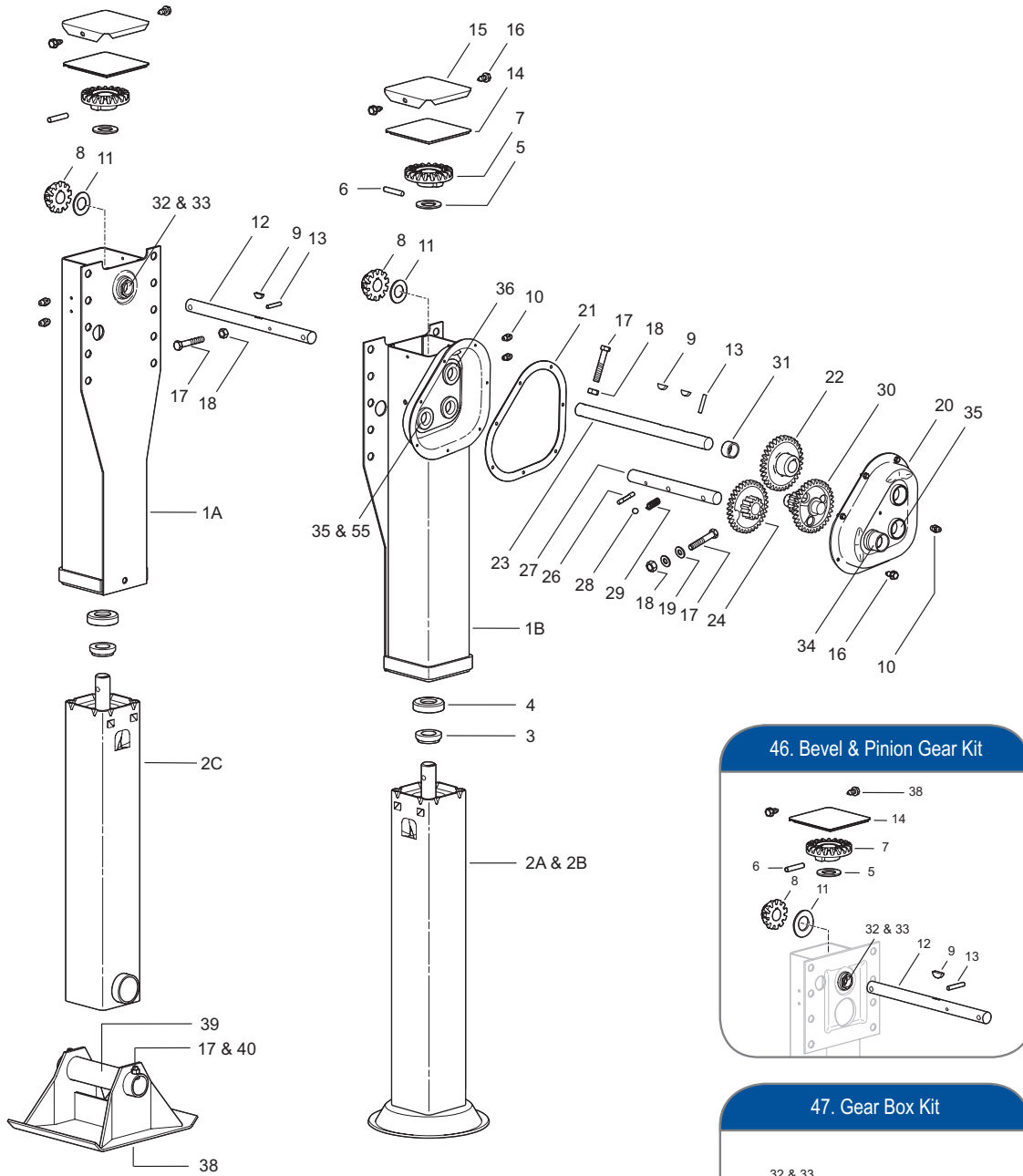


Table 5-5: 50000 Standard Assembly

Part Number	Description	Item No.	One Speed	Two Speed
XB-LG0544	Collar	3	1	1
XB-BRG-013-77	Thrust Bearing	4	1	1
XB-PW-016-62	Washer - FL 2" OD x 1.192" ID x .125" THK	5	1	1
XB-CRP-V-06635	Pin - 3/8" dia. X 2"	6	1	1
XA-LG0570-01	Bevel Gear	7	1	1
LG0531-02	Pinion Gear	8	1	1
XB-KEY-018-02	Key - Woodruff .250 x .875 #807	9	1	2
XB-GRF-022-16	Ftg - Grease .25"-28 Self Tapping	10	2	3
XB-PW-016-19	Washer - FI 1.875"OD x 1.015"ID x .0625" THK	11	1	1
LG0259	Jack Shaft LH Universal Mount	12	1	-
LG0369-01	LH Standard Mount	12	1	-
LG0369-05	LH Conventional Mount	12	1	-
LG0436	LH Reverse Mount	12	1	-
XB-SP-014-27	Pin - Spring Dia .25" x 1.5"	13	1	1
XB-LG0413	Gasket	14	1	1
LG0264	Cover	15	1	1
XB-STS-008-11	Self-Tapping Screw - .25"-20 x .5" Lg	16	2	9
XB-HHC-050-42	Screw - Hex Hd .38"-16 x 2.25" Gr5	17	1	2
XB-SLN-012-04	Self-Locking Nut - .38"-16	18	2	3
XB-PW-016-03	Washer - .38" Std. Type A	19	-	2
XB-VLG0663	Gearbox Half - Outside	20	-	1
XB-LG0428	Gearbox Gasket	21	-	1
LG0543-01	Output Geaer	22	-	1
LG0260	RH Jackshaft - Universal Mount	23	-	1
LG0370-01	RH I-B Standard Mount	23	-	1
LG0370-05	RH Conventional Mount	23	-	1
LG0438	RH Reverse Mount	23	-	1
LG0541-01	Input Gear	24	-	1
XB-GP-014-07	Groove Pin - .25"x 1.50" Lg Type E	26	-	1
LG0261-01	Shift Shaft - Universal Mount	27	-	1
LG0371-01	I-Beam & Conventional Mount	27	-	1
LG0437	Reverse Mount	27	-	1
XB-BAL-023-07	Shift Lock Ball	28	-	1
XB-SPG-020-36	Shift Lock Spring	29	-	1
XB-LG0542-01	Idler Gear	30	-	1
XB-LG0219-01	Spacer Bushing	31	-	1
LG2094	Retainer - Hex Lock	32	2	1
LG2095	Hex Lock Boss	33	2	1
XB-LG0658-01	Shift Lock Boss	34	-	1
XB-LG0659-01	Gearbox Boss	35	-	4
XB-LG0660	Gearbox Boss - Inside Half	36	-	1
50616001	Sandshoe 10" X 10" X 4.50"	38	1	1
50616000	Sandshoe 10" X 12" X 4.50"	38	1	1



<i>Part Number</i>	<i>Description</i>	<i>Item No.</i>	<i>One Speed</i>	<i>Two Speed</i>
50616008	Sandshoe 10" X 10" X 2.00"	38	1	1
50616007	Sandshoe 10" X 12" X 2.00"	38	1	1
LG0070-02	Sandshoe Axle - Hollow Axle 8.50" Lg	39	1	1
XB-HHC-050-69	Screw - Hex Cap .38"-16 x .25" Gr5	40	1	1
RK-11284	Bevel & Pinion Gear Repair Kit	46	1	1
RK-11285	Gear Box Repair Kit	47	-	1

## HOLLAND – 50000 STANDARD TRAVEL

Table 5-6: 50000 Standard Travel Measurements

<i>Part Number</i>	<i>Description</i>	<i>Item No.</i>	<i>Travel</i>	<i>"A" Dimension</i>
LG0569-02	Retract Tube Ass'y - 10 Dia. Shock Foot	2A	13-1/2"	25.562"
LG0569	Retract Tube Ass'y - 10 Dia. Shock Foot	2A	17"	28.062"
LG0569-01	Retract Tube Ass'y - 10 Dia. Shock Foot	2A	17"	28.062"
LG0569-04	Retract Tube Ass'y - 10 Dia. Shock Foot	2A	19"	30.562"
LG0580-01	Retract Tube Ass'y - 12 Dia. Shock Foot	2B	13-1/2"	25.562"
LG0580-02	Retract Tube Ass'y - 12 Dia. Shock Foot	2B	17"	28.062"
LG0580-05	Retract Tube Ass'y - 12 Dia. Shock Foot	2B	17"	28.062"
LG0580-03	Retract Tube Ass'y - 12 Dia. Shock Foot	2B	19"	30.562"
LG0574-01	Retract Tube Ass'y - Axle Socket	2C	13-1/2"	25.562"
LG0574-07	Retract Tube Ass'y - Axle Socket	2C	15-1/2"	26.562"
LG0574-02	Retract Tube Ass'y - Axle Socket	2C	17"	28.062"
LG0574-04	Retract Tube Ass'y - Axle Socket	2C	19"	30.562"

# HOLLAND - 50000 NoLUBE ASSEMBLY

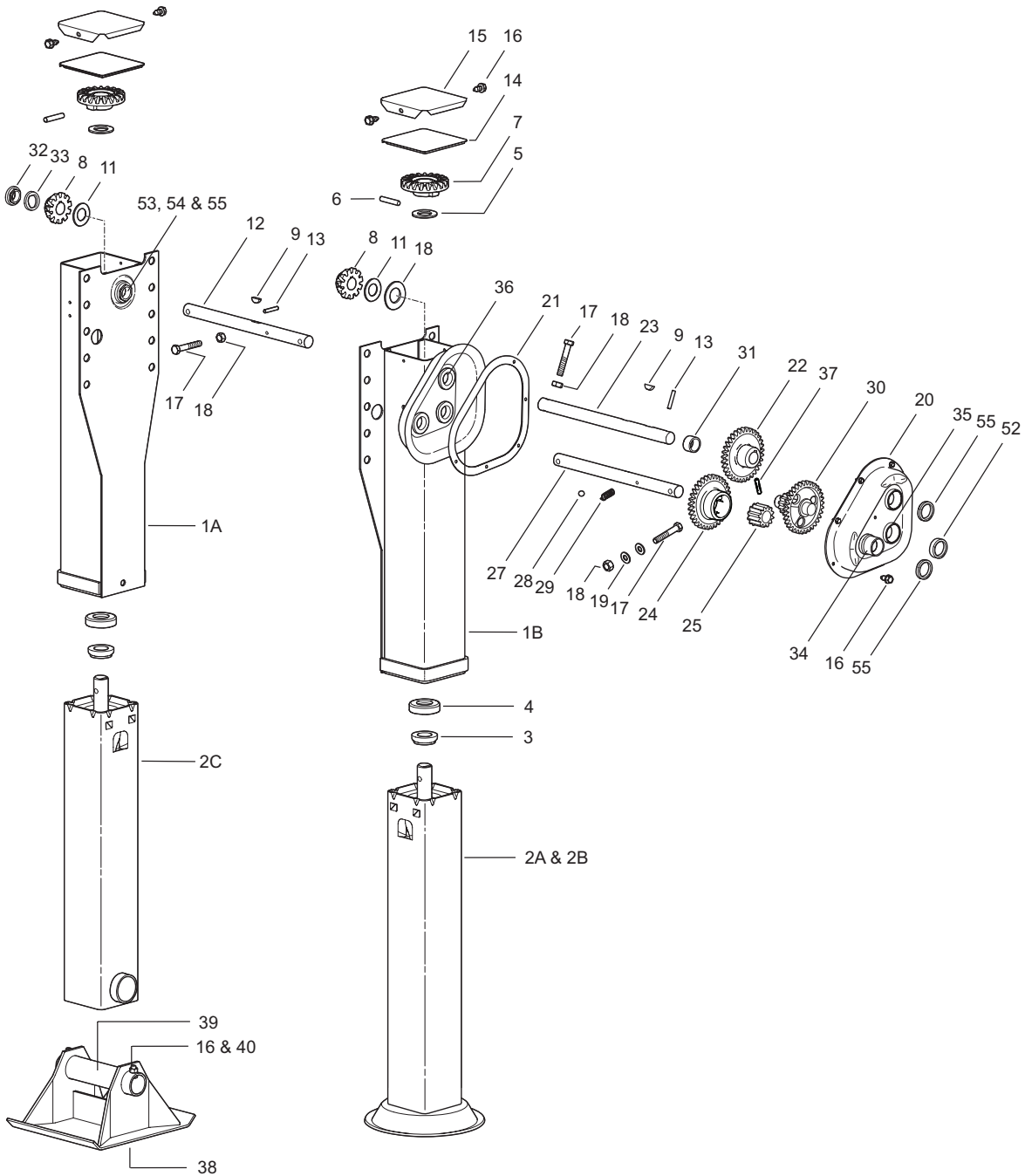


Table 5-7: 50000 NoLube Assembly

Part Number	Description	Item No.	One Speed	Two Speed
XB-LG0544	Collar	3	1	1
XB-BRG-013-77	Thrust Bearing	4	1	1
XB-PW-016-62	Washer - FL 2" OD x 1.192" ID x .125" THK	5	1	1
XB-CRP-V-06635	Groove Pin - .375"dia. X 2"	6	1	1
XA-LG0570-01	Gear - Bevel - Machined	7	1	1

<i>Part Number</i>	<i>Description</i>	<i>Item No.</i>	<i>One Speed</i>	<i>Two Speed</i>
LG0531-02	Pinion Geaer	8	1	1
XB-KEY-018-02	Key - Woodruff .250" x .875"	9	1	2
XB-PW-016-19	Washer - Fl 1.875"OD x 1.015"ID x .0625" THK	11	1	1
LG0259	Jack Shaft LH Universal Mount	12	1	-
LG0369-01	LH Standard Mount	12	1	-
LG0369-05	LH Conventional Mount	12	1	-
LG0436	LH Reverse Mount	12	1	-
XB-SP-014-27	Pin - Spring Dia. .25" x 1.50"	13	1	1
XB-LG0413	Gasket	14	1	1
LG0264	Cover	15	1	1
XB-STS-008-11	Self-Tapping Screw - .25"-20 x .50" Lg.	16	2	9
XB-HHC-050-42	Screw - Hex Hd .375"-16 x 2.25" Lg. Gr5	17	1	2
XB-SLN-012-04	Self-Locking Nut - .38"-16	18	2	3
XB-PW-016-03	Washer - .38" Std. Type A	19	-	2
LG0663-11	Gearbox Half Assy - Outside - Sealed	20	-	1
XB-LG0428	Gearbox Gasket	21	-	1
LG0543-01	Output Gear	22	-	1
LG0260	Jackshaft RH Universal Mount	23	-	1
LG0370-01	RH I-Beam Mount	23	-	1
LG0370-05	RH Conventional Mount	23	-	1
LG0438	RH Reverse Mount	23	-	1
XD-LG0856	Input Gear - High	24	-	1
XB-LG0857-01	Input Gear - Low	25	-	1
LG0861-01	Shift Shaft - Universal EZ Shift	27	-	1
LG0859-01	I-Beam & Conventional EZ Shift	27	-	1
LG0858	Reverse EZ Shift	27	-	1
XB-BAL-023-07	Shift Lock Ball	28	-	1
XB-SPG-020-36	Shift Lock Spring	29	-	1
XB-LG0542-01	Idler Gear	30	-	1
XB-LG0219-01	Spacer Bushing	31	-	1
XB-LG1570	Retainer - Hex Lock	32	1	-
LG0559-10	Hex Lock Boss w/Seals	33	1	-
XB-LG0658-01	Shift Lock Boss	34	-	1
XB-LG0659-01	Gearbox Boss	35	-	4
XB-LG0660	Gearbox Boss - Inside Half	36	-	1
XB-GP-052-22	Groove Pin - .25" x 1.25" Type E	37	-	1
50616001	Sandshoe 10" X 10" X 4.50"	38	1	1
50616000	Sandshoe 10" X 12" X 4.50"	38	1	1
50616008	Sandshoe 10" X 10" X 2.00"	38	1	1
50616007	Sandshoe 10" X 12" X 2.00"	38	1	1
LG0070-02	Sandshoe Axle - Hollow Axle 8.50" Lg	39	1	1
XB-HHC-050-69	Screw - Hex Cap .375"-16 x .75" GR5 ZMC/REPT	40	1	1
XB-SEL-030-22	Freeze Plug	52	-	1
XB-LG219-02	Bushing	53	1	1

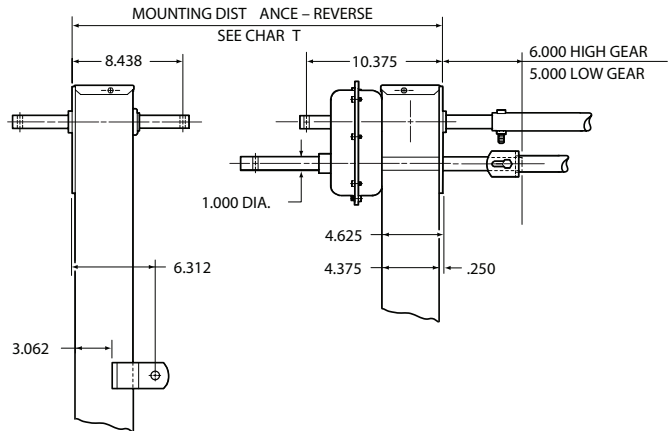
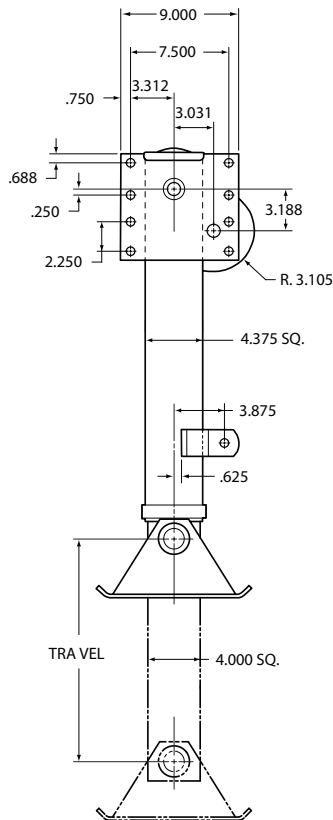
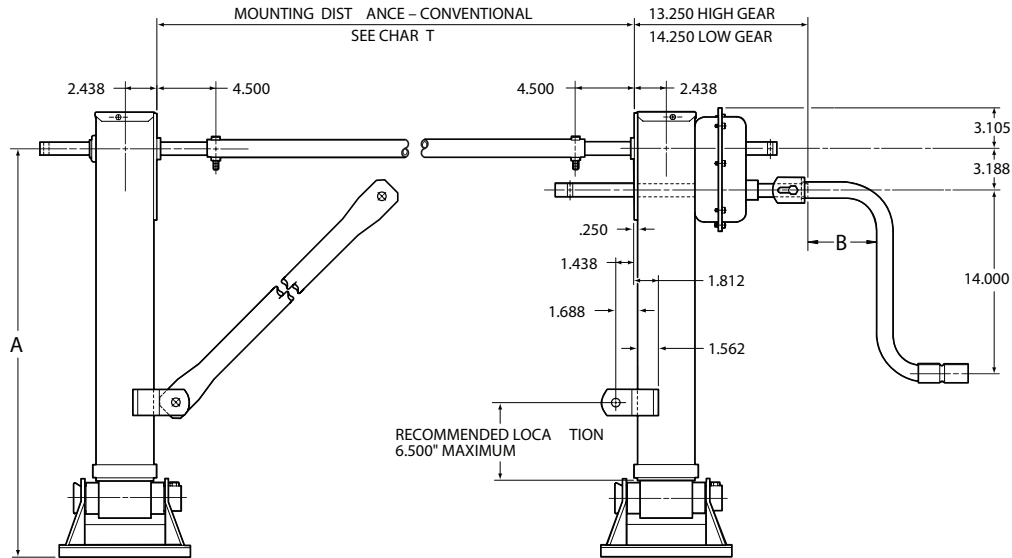
<i>Part Number</i>	<i>Description</i>	<i>Item No.</i>	<i>One Speed</i>	<i>Two Speed</i>
LG1326	Short Boss	54	1	1
XB-SEL-030-17	Oil Seal	55	1	4

## HOLLAND – 50000 NoLUBE TRAVEL

Table 5-8: 50000 NoLube Travel Measurements

<i>Part Number</i>	<i>Description</i>	<i>Item No.</i>	<i>Travel</i>	<i>"A" Dimension</i>
LG0569-20	Retract Tube Ass'y - 10 Dia. Shock Foot	2A	17"	28.062"
LG0569-21	Retract Tube Ass'y - 10 Dia. Shock Foot	2A	17"	28.062"
LG0569-22	Retract Tube Ass'y - 10 Dia. Shock Foot	2A	19"	30.062"
LG0580-22	Retract Tube Ass'y - 12 Dia. Shock Foot	2B	17"	28.062"
LG0580-23	Retract Tube Ass'y - 12 Dia. Shock Foot	2B	17"	28.062"
LG0580-24	Retract Tube Ass'y - 12 Dia. Shock Foot	2B	19"	30.562"
LG0574-21	Retract Tube Ass'y - Axle Socket	2C	13-1/2"	25.562"
LG0574-25	Retract Tube Ass'y - Axle Socket	2C	15-1/2"	26.562"
LG0574-22	Retract Tube Ass'y - Axle Socket	2C	17"	28.062"
LG0574-24	Retract Tube Ass'y - Axle Socket	2C	19"	30.562"

# HOLLAND - 50000 DIMENSIONS



## 50,000 DIMENSIONS

TRAVEL	"A" 10x10x4-1/2 & 10x12x4-1/2 Sandshoe	"A" 10x10x2 & 10x12x2 Sandshoe	"A" SHOCKFOOT	CRANK PART NO.	"B"
13.5"	28.688	26.188	29.250	LG0083-01	5.250
15.5"	29.688	27.188	---	LG0083-03	10.875
17"	31.188	28.688	31.750	---	---
19"	33.688	31.188	34.250	LG0083-05	16.875

## MOUNTING DISTANCES

REVERSE MOUNTING DISTANCE	96" WIDE TRAILER	102" WIDE TRAILER	CONVENTIONAL MOUNTING DISTANCE	96" WIDE TRAILER	102" WIDE TRAILER
Maximum	85.000	91.000	Maximum	66.375	72.375
Minimum - LG0083-01	79.000	85.000	Minimum - LG0083-01	60.375	66.375
Minimum - LG0083-03	67.750	73.750	Minimum - LG0083-03	49.125	55.125
Minimum - LG0083-05	55.750	61.750	Minimum - LG0083-05	37.125	43.125

# HOLLAND – MARK V ASSEMBLY

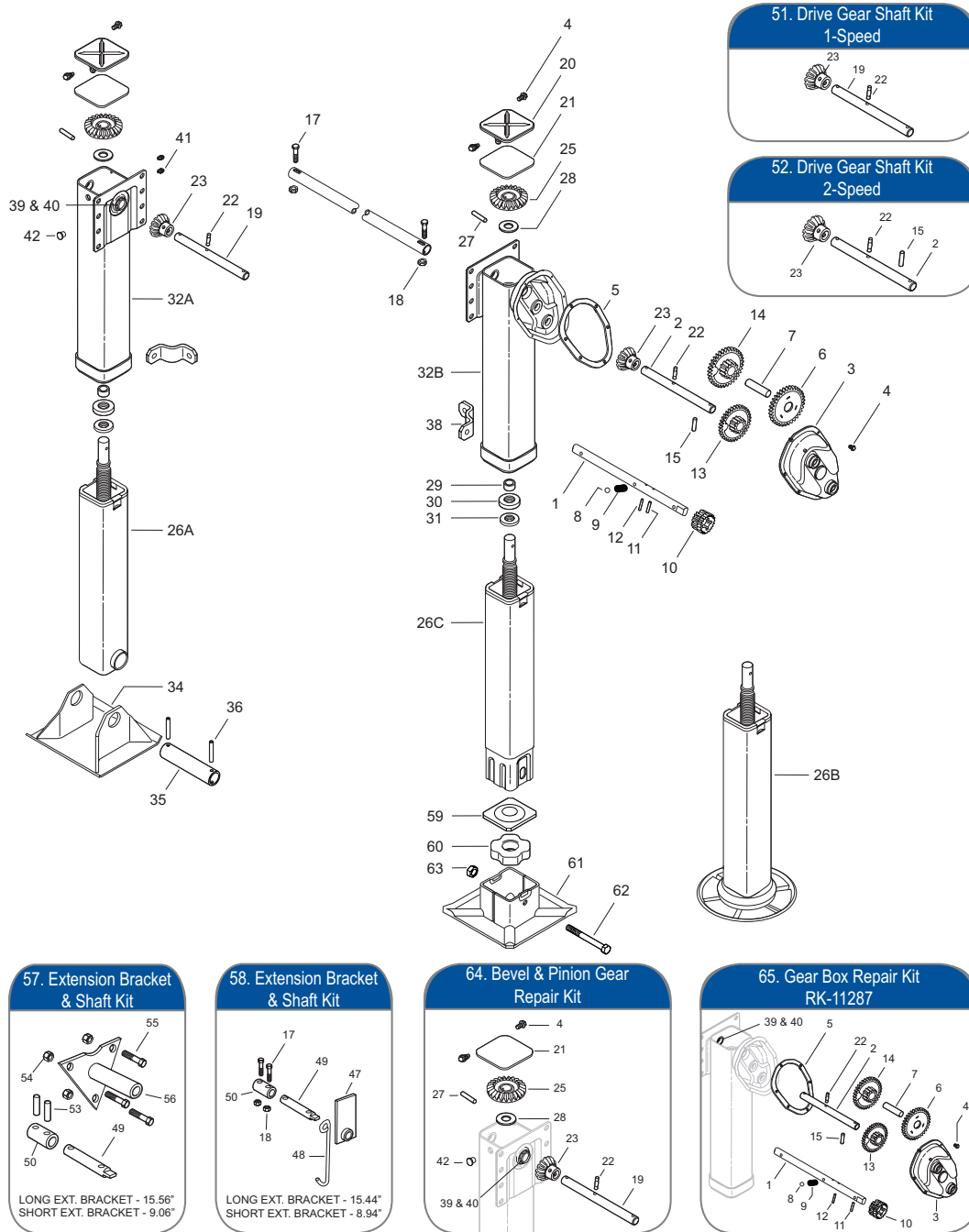


Table 5-9: Mark V Assembly

Part Number	Description	Item No.	One Speed	Two Speed
See "Table 5-11: Mark V Shafts & Crank Handles" on page 5-26.	Shifter Shaft	1	-	1
	Drive Gear Shaft	2	-	1
XA-V-06618	Gearbox Cover Assembly	3	-	1
XB-06372	Thread Rolling Screw	4	2	8
XB-V-06621	Gearbox Gasket	5	-	1

<i>Part Number</i>	<i>Description</i>	<i>Item No.</i>	<i>One Speed</i>	<i>Two Speed</i>
XA-V-06602	Idler Gear	6	-	1
XA-V-07085	Idler Gear Shaft	7	-	1
XB-BAL-023-01	Ball	8	-	1
XB-SPG-020-02	Spring	9	-	1
XA-V-06604-1	Shifter Gear	10	-	1
XA-CRP-V-06633	Pin - .25" x 1.44"	11	-	1
XB-21-S-218-1500	Spring Pin - .22" x 1.50"	12	-	1
XA-V-06606	Spur Gear	13	-	1
XA-V-06603	Step Gear	14	-	1
XA-CRP-V-06634	Pin - .38" x 1.5"	15	-	1
XB-V-444-4	HHCS - 3/8"-16 x 2.00"	17	1	1
XB-338	Lock Nut - 3/8"-16	18	1	1
See "Table 5-11: Mark V Shafts & Crank Handles" on page 5-26.	Bevel Pinion Gear Shaft (Single Speed)	19	1	-
XA-V-06611	Upper Leg Cover	20	1	1
XB-V-07054	Gasket	21	1	1
XB-GP-38-1-12-E	Groove Pin .38" x 1.50"	22	1	1
XA-V-06600	Bevel Pinion Gear	23	1	1
XB-01977	Shim (As Required) (Not Shown)	24	2	2
XA-V-06601	Bevel Gear	25	1	1
See "Table 5-10: Mark V Leg Assemblies" on page 5-23.	Inner Leg & Screw Assy. - 05, 13, 15 or 23 Series	26A	1	1
	Inner Leg & Screw Assy. - 312 Series (Not Shown)	26A	1	1
	Inner Leg & Screw Assy. - 01 Series	26B	1	1
	Inner Leg & Screw Assy. - 012 Series (Not Shown)	26B	1	1
	Inner Leg & Screw Assy. - 24 Series	26C	1	1
	Inner Leg & Screw Assy. - 014 Series (Not Shown)	26D	1	1
XA-CRP-V-06635	Pin - .38" x 2"	27	1	1
XB-V-06632	Washer	28	1	1
XB-V-06630	Bushing	29	1	1
XB-V-647	Thrust Bearing	30	1	1
XB-V-647-1	Thrust Bearing - Heavy Duty	30	1	1
XA-V-06629	Collar	31	1	1
See "Table 5-10: Mark V Leg Assemblies" on page 5-23.	Upper Leg - 1-Speed	32A	1	-
	Upper Leg - 1-Speed Heavy Duty (Not Shown)	32A	1	-
	Upper Leg - 2-Speed	32B	-	1
	Upper Leg - 2-Speed Heavy Duty (Not Shown)	32B	-	1
XA-V-796-B-1	Skid Foot - 4.9" x 12" x 11.5"	34	1	1
XA-V-796-L	Skid Foot - 2.5" x 12" x 11.5"	34	1	1
XA-V-796-WS	Skid Foot - 3.8" x 10" x 11.5"	34	1	1
XA-V-796-LWS	Skid Foot 2.4" x 10" x 11.5"	34	1	1
XA-HV-796	Skid Foot - 4" x 12" x 16"	34	1	1
XA-V-1901-1	Standard Axle	35	1	1
XA-V-1903-1	Solid Axle	35	1	1
XA-V-1902-1	Heavy Pipe Axle	35	1	1

<i>Part Number</i>	<i>Description</i>	<i>Item No.</i>	<i>One Speed</i>	<i>Two Speed</i>
XB-21-S-375-3000	Rollpin - .38" x 3"	36	2	2
XA-V-1938	Brace Lug	38	1	1
XB-LG0559	Bearing	39	2	1
XB-LG1570	Retainer	40	2	1
XB-767	Lube Fitting	41	1	2
XB-767-L	Lube Fitting w/Extension (Not Shown)	41	1	1
XB-01789	Plastic Plug	42	1	1
XA-V-971	Crankshaft Bracket (Optional)	47	-	1
XB-V-1915	Crank Hanger (Optional)	48	-	1
XA-V-1916	Extension Shaft - Long (Optional) - 15.44"	49	-	1
XA-V-1916-1	Extension Shaft - Short (Optional) - 8.94"	49	-	1
XA-V-630-2	Crankshaft Coupling (Optional)	50	-	1
RK-V-07781	Drive Gear Shaft Kit - 1-Speed	51	-	1
RK-V-07780	Drive Gear Shaft Kit - 2-Speed	52	-	1
XB-GP-38-138-5	Groove Pin - 3/8" x 1.38" (Optional)	53	-	2
XB-3103	Locknut - 1/4"-28 (Optional)	54	-	3
XB-07618	HHCS - 1/4"-28 x 3" (Optional)	55	-	3
XA-V-07601-1	Extension Bracket - Long - 15.56"	56	-	1
XA-V-07601-2	Extension Bracket - Short - 9.06"	56	-	1
RK-V-07602-1	Extension Bracket & Shaft Kit - Long - 15.56"	57	-	1
RK-V-07602-2	Extension Bracket & Shaft Kit - Short - 9.06"	57	-	1
RK-V-1997-1	Extension Bracket & Shaft Kit - Long - 15.44"	58	-	1
RK-V-1997-2	Extension Bracket & Shaft Kit - short - 8.94"	58	-	1
LG1829	Cushion Foot Plate	59	1	1
XB-LG0713	Rubber Cushion	60	1	1
XA-V-796-RCF	Removable Cushion Foot	61	1	1
XB-HHC-050-114	Hex Head Screw - 5/8"-11 x 6" - GR2	62	1	1
XB-06179-2	Top Lock Nut - 5/8"-11 - GR.C	63	1	1
RK-11286	Bevel & Pinion Gear Repair Kit	64	1	1
RK-11287	Gear Box Repair Kit	65	-	1

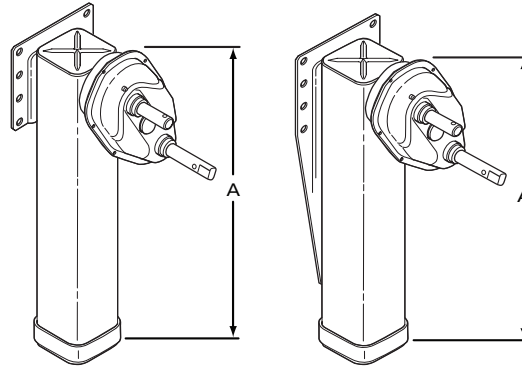


# HOLLAND – MARK V LEG ASSEMBLIES

Table 5-10: Mark V Leg Assemblies

Part Number	Description	Standard Travel (in.)	Standard Length (A)	Heavy Duty Travel	Heavy Duty Length (A)
-------------	-------------	-----------------------	---------------------	-------------------	-----------------------

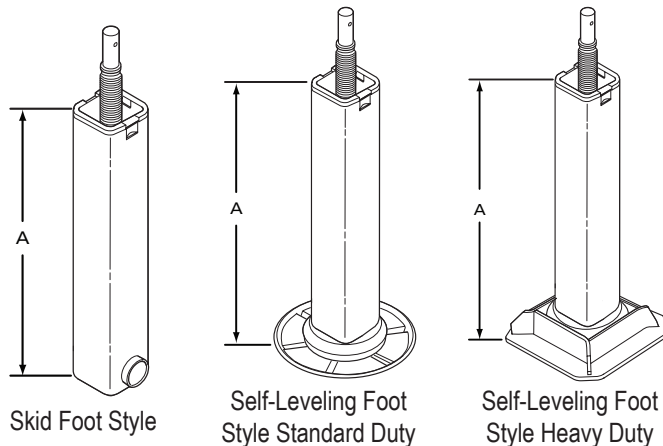
## OUTER LEG ASSEMBLIES



Standard & Heavy Duty

XA-V-07132-0	Mark V Outer Leg Assembly, One Speed	12.5"	23.9"	8.8"	24.7"
XA-V-07132-1	Mark V Outer Leg Assembly, One Speed	13.5"	24.8"	12"	26.3"
XA-V-07132-2	Mark V Outer Leg Assembly, One Speed	15"	26.3"	13.5"	27.8"
XA-V-07132-3	Mark V Outer Leg Assembly, One Speed	16.5"	27.8"	15.4"	28.9"
XA-V-07132-4	Mark V Outer Leg Assembly, One Speed	17.6"	28.9"	16.6"	30"
XA-V-07132-5	Mark V Outer Leg Assembly, One Speed	18.6"	30"	17.4"	31.4"
XA-V-07133-0	Mark V Outer Leg Assembly, Two Speed	12.5"	23.9"	8.8"	24.7"
XA-V-07133-1	Mark V Outer Leg Assembly, Two Speed	13.5"	24.8"	12"	26.3"
XA-V-07133-2	Mark V Outer Leg Assembly, Two Speed	15"	26.3"	13.5"	27.8"
XA-V-07133-3	Mark V Outer Leg Assembly, Two Speed	16.5"	27.8"	15.4"	28.9"
XA-V-07133-4	Mark V Outer Leg Assembly, Two Speed	17.6"	28.9"	16.6"	30"
XA-V-07133-5	Mark V Outer Leg Assembly, Two Speed	18.6"	30"	17.4"	31.4"

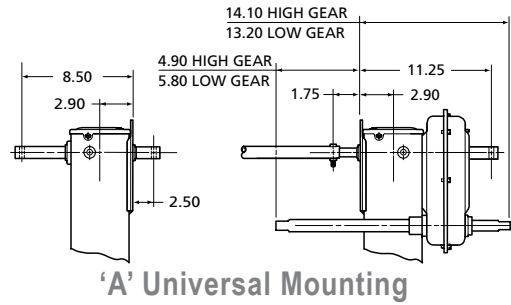
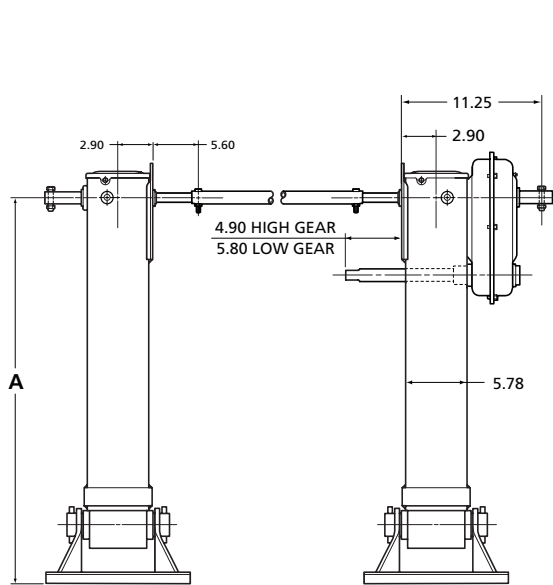
## INNER LEG ASSEMBLIES



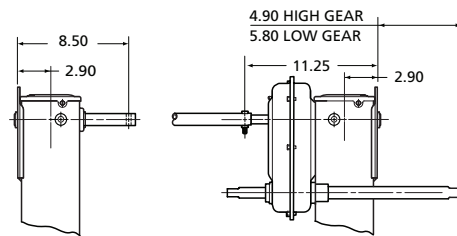
XA-H-06628-000-0	Skid Foot Style Inner Leg Assembly, 9.4" Travel	9.4	18.7"		
XA-H-06628-101-0	Skid Foot Style Inner Leg Assembly, 13.5" Travel	13.5	22.0"		

<i>Part Number</i>	<i>Description</i>	<i>Standard Travel (in.)</i>	<i>Standard Length (A)</i>	<i>Heavy Duty Travel</i>	<i>Heavy Duty Length (A)</i>
XA-H-06628-202-0	Skid Foot Style Inner Leg Assembly, 15" Travel	15	23.5"		
XA-H-06628-303-0	Skid Foot Style Inner Leg Assembly, 16.5" Travel	16.5	25.0"		
XA-H-06628-404-0	Skid Foot Style Inner Leg Assembly, 17.6" Travel	17.6	26.1"		
XA-H-06628-505-0	Skid Foot Style Inner Leg Assembly, 18.7" Travel	18.7	27.3"		
XA-H-06628-010-1	Self Leveling Foot Style, Standard Duty Inner Leg Assembly, 12.5" Travel	12.5	21.3"		
XA-H-06628-111-1	Self Leveling Foot Style, Standard Duty Inner Leg Assembly, 13.5" Travel	13.5	24.6"		
XA-H-06628-212-1	Self Leveling Foot Style, Standard Duty Inner Leg Assembly, 15" Travel	15	26.1"		
XA-H-06628-313-1	Self Leveling Foot Style, Standard Duty Inner Leg Assembly, 16.5" Travel	16.5	27.6"		
XA-H-06628-414-1	Self Leveling Foot Style, Standard Duty Inner Leg Assembly, 17.6" Travel	17.6	28.8"		
XA-H-06628-515-1	Self Leveling Foot Style, Standard Duty Inner Leg Assembly, 18.7" Travel	18.7	29.9"		
XA-H-06628-010-3	Self Leveling Foot Style, Heavy Duty Inner Leg Assembly, 12.5" Travel	12.5	21.4"		
XA-H-06628-111-3	Self Leveling Foot Style, Heavy Duty Inner Leg Assembly, 13.5" Travel	13.5	24.7"		
XA-H-06628-212-3	Self Leveling Foot Style, Heavy Duty Inner Leg Assembly, 15" Travel	15	26.2"		
XA-H-06628-313-3	Self Leveling Foot Style, Heavy Duty Inner Leg Assembly, 16.5" Travel	16.5	27.7"		
XA-H-06628-414-3	Self Leveling Foot Style, Heavy Duty Inner Leg Assembly, 17.6" Travel	17.6	28.8"		
XA-H-06628-515-3	Self Leveling Foot Style, Heavy Duty Inner Leg Assembly, 18.7" Travel	18.7	30.0"		

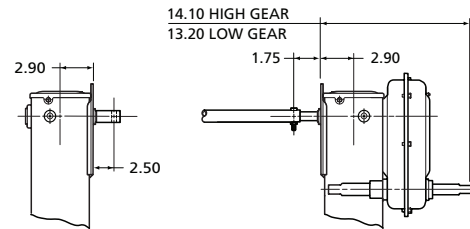
# HOLLAND – MARK V DIMENSIONS



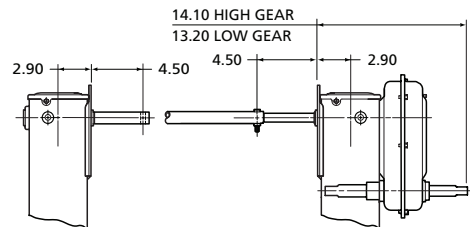
**'A' Universal Mounting**



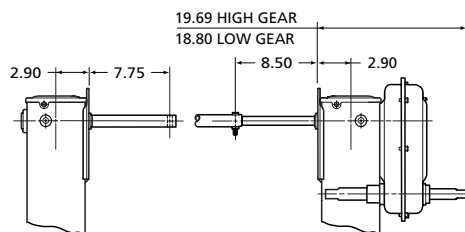
**'B' Inboard Mounting**



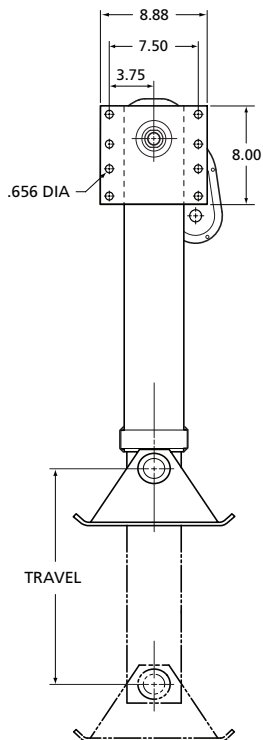
**'C' Outboard Mounting**



**'D' I-Beam Mounting**



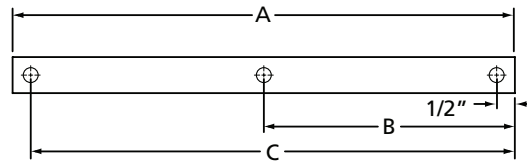
**'F' Extended I-Beam Mounting**



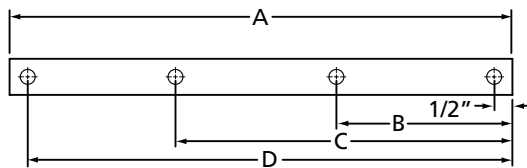
# HOLLAND – MARK V SHAFTS & CRANK HANDLES

Table 5-11: Mark V Shafts & Crank Handles

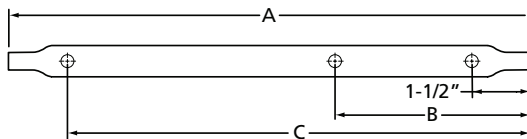
Part Number	Description	A (in.)	B (in.)	C (in.)	D (in.)
-------------	-------------	---------	---------	---------	---------



Mark V Pinion Gear Shaft - 1-Speed



Mark V Pinion Gear Shaft - 2-Speed



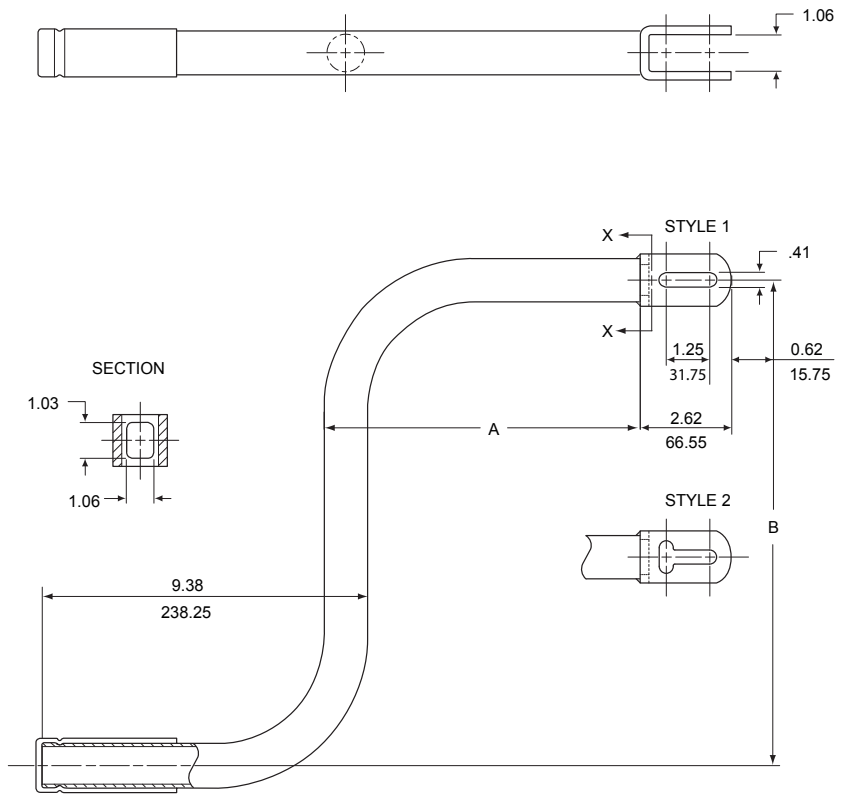
Mark V Shift Shaft - 2-Speed

## MARK V REPLACEMENT SHAFTS

XA-V-06623-A	Pinion Gear Shaft - 1-Speed (12")	12	5.2"	11.5"	
XA-V-06623-B	Pinion Gear Shaft - 1-Speed (9.5")	9.5	5.2"	CUT-OFF	
XA-V-06623-C	Pinion Gear Shaft - 1-Speed (9.4")	9.4	6.8"	CUT-OFF	
XA-V-06623-D	Pinion Gear Shaft - 1-Speed (11.4")	11.4	8.8"	CUT-OFF	
XA-V-06624-A	Pinion Gear Shaft - 2-Speed (14")	14	4.2"	9.8"	13.5"
XA-V-06624-C	Pinion Gear Shaft - 2-Speed (12.4")	12.4	4.2"	9.8"	CUT-OFF
XA-V-06624-D	Pinion Gear Shaft - 2-Speed (14.8")	14.8	7.0"	12.5"	CUT-OFF
XA-V-06625-A	Shift Shaft - 2-Speed (19.0")	19.0	8.3"	17.5"	
XA-V-06625-B	Shift Shaft - 2-Speed (15.6")	15.6	10.7"	CUT-OFF	
XA-V-06625-C	Shift Shaft - 2-Speed (11.3")	11.3	8.3"	CUT-OFF	

Part Number	Description	A (in.)	B (in.)	Crank Jaw	Weight (lbs.)
-------------	-------------	---------	---------	-----------	---------------

**MARK V CRANK HANDLES**



XA-V-90-0	Mark V Crank Handle (9.12" x 14.00")	9.12	14.00	As Shown	2.76
XA-V-90-1	Mark V Crank Handle (9.12" x 15.00")	9.12	15.00	As Shown	2.85
XA-V-90-2	Mark V Crank Handle (11.62" x 14.00")	11.62	14.00	As Shown	2.98
XA-V-90-3	Mark V Crank Handle, Rotated 90° (9.12" x 14.00")	9.12	14.00	Rotated 90°	2.76
XA-V-90-4	Mark V Crank Handle, Rotated 90° (11.62" x 14.00")	11.62	14.00	Rotated 90°	2.98
XA-V-90-5	Mark V Crank Handle (14.50" x 14.00")	14.50	14.00	As Shown	3.22
XA-V-90-6	Mark V Crank Handle, Rotated 90° (14.50" x 14.00")	14.50	14.00	Rotated 90°	3.22
XA-V-90-7	Mark V Crank Handle (5.12" x 14.00")	5.12	14.00	As Shown	2.42
XA-V-90-8	Mark V Crank Handle (11.12" x 12.00")	11.12	12.00	As Shown	2.76
XA-V-90-10	Mark V Crank Handle (17.00" x 14.00")	17.00	14.00	As Shown	2.44
XA-V-90-11	Mark V Crank Handle (19.00" x 14.00")	19.00	14.00	As Shown	3.61
XA-V-90-12	Mark V Crank Handle (21.00" x 14.00")	21.00	14.00	As Shown	3.78
XA-V-90-146	Mark V Crank Handle, Rotated 90° (6.50" x 14.00")	6.50	14.00	Rotated 90°	2.53
XA-V-90-161	Mark V Crank Handle, Rotated 90° (4.62" x 11.75")	4.62	11.75	Rotated 90°	2.18
XA-03694	Mark V Crank Handle (11.62" x 14.00")	11.62	14.00	As Shown	2.98
XA-S01681	Mark V Crank Handle (18.63" x 12.00")	18.63	12.00	As Shown	3.41
XA-S0208	Mark V Crank Handle, Rotated 90° (8.37" x 14.00")	8.37	14.00	Rotated 90°	2.70
XA-S04475	Mark V Crank Handle (15.35" x 14.00")	15.35	14.00	As Shown	3.30
XA-V-90-13	Mark V Crank Handle, Rotated 90° (17.00" x 14.00")	17.00	14.00	Rotated 90°	3.44

# HOLLAND – CMS2 ASSEMBLY

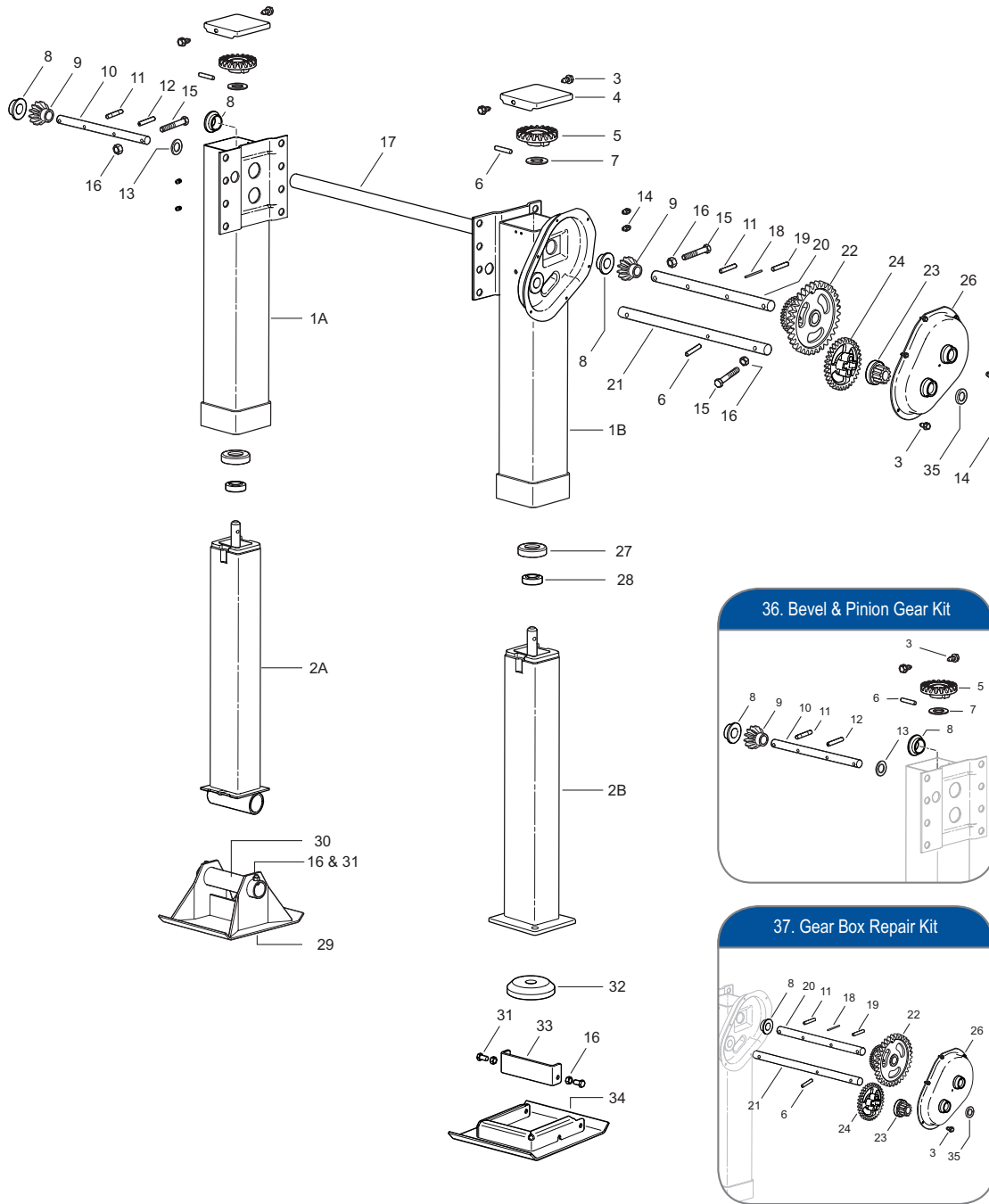


Table 5-12: CMS2 Assembly

Part Number	Description	Item No.	One Speed	Two Speed
XB-ST5-008-11	Self-Tapping Screw	3	2	8
751612	Cover	4	1	1
730590	Bevel Gear	5	1	1
725046	Groove Pin - .31" x 1.50"	6	1	2
722018	Washer - Hardened	7	1	1

<i>Part Number</i>	<i>Description</i>	<i>Item No.</i>	<i>One Speed</i>	<i>Two Speed</i>
724037	Shaft Bushing	8	2	1
730011	Pinion Gear	9	1	1
750004	Pinion Shaft - 1 Speed Universal Mount	10	1	-
750450	Pinion Shaft - 1 Speed Outside Mount	10	1	-
751873	Pinion Shaft - 1 Speed Inside Mount	10	1	-
725002	Spring Pin - .375" x 1.38"	11	1	1
725001	Spring Pin - .25" x 1.25"	12	1	-
722000	Flat Washer	13	1	-
727000	Grease Fitting	14	2	3
XB-HHC-050-42	Hex Cap Screw - .375"-16 x 2.25"	15	1	2
XB-SLN-012-04	Self-Locking Nut - .375"-16 - Cross Drive Shaft	16	1	2
XB-SLN-012-04	Self-Locking Nut - .375"-16 - Sandshoe	16	1	1
XB-SLN-012-04	Self-Locking Nut - .375"-16 - RCF	16	2	2
LG0094-XXXX	Cross Drive Shaft	17	1	-
729002	Wire	18	-	1
725003	Spring Pin - .375" x 1.50"	19	-	1
750002	Pinion Shaft - 2 Speed Universal Mount	20	-	1
750241	Pinion Shaft - 2 Speed Outside Mount	20	-	1
750245	Pinion Shaft - 2 Speed Inside Mount	20	-	1
751175	Crankshaft - Universal Mount	21	-	1
751198	Crankshaft - Outside Mount	21	-	1
751175	Crankshaft - Inside Mount	21	-	1
750009	Rigid Gear	22	-	1
751173	Low Speed Drive Gear	23	-	1
751174	High Speed Drive Gear	24	-	1
741158	Outside Cover Assembly	26	-	1
730007	Collar - Elevating Screw	27	1	1
729108	Bearing	28	1	1
50616001	Sandshoe - 10" x 10" x 4.50" - Code 444	29	1	1
50616008	Sandshoe - 10" x 10" x 2.00" - Code 400	29	1	1
LG0070-02	Sandshoe Axle - Hollow Axle 8.50" Lg.	30	1	1
XB-HHC-050-69	Hex Cap Screw - .375"-16 x .75" - Sandshoe	31	1	1
XB-HHC-050-70	Hex Cap Screw - .375"-16 x .75" - RCF	31	2	2
728003	Cushion Foot Pad - RCF	32	1	1
730638	Interchangeable Strap - RCF	33	1	1
730640	RCF - 10" x 10"	34	1	1
728000	Seal	35	-	1
RK-11290	Bevel & Pinion Gear Repair Kit	36	1	1
RK-11291	Gear Box Repair Kit	37	-	1

## HOLLAND – CMS2 TRAVEL

Table 5-13: CMS2 Travel Measurements

<i>Part Number</i>	<i>Description</i>	<i>Item No.</i>	<i>Travel (in.)</i>	<i>A (in.)</i>
751707	Upper Leg Assy LH - 1-Speed	1A	14.12"	25.51"
751564	Upper Leg Assy LH - 1-Speed	1A	16.87"	28.26"
751627	Upper Leg Assy LH - 1-Speed	1A	19.12"	30.51"
751564	Upper Leg Assy LH - 1-Speed	1A	14.12"	28.26"
751660	Upper Leg Assy LH - 1-Speed	1A	16.87"	31.07"
751706	Upper Leg Assy RH - 2-Speed	1B	14.12"	25.51"
751566	Upper Leg Assy RH - 2-Speed	1B	16.87"	28.26"
751628	Upper Leg Assy RH - 2-Speed	1B	19.12"	30.51"
751566	Upper Leg Assy RH - 2-Speed	1B	14.12"	28.26"
751659	Upper Leg Assy RH - 2-Speed	1B	16.87"	31.07"
742333	Lower Leg Assy - Sandshoe	2A	14.12"	25.51"
742111	Lower Leg Assy - Sandshoe	2A	16.87"	28.26"
742163	Lower Leg Assy - Sandshoe	2A	19.12"	30.51"
742915	Lower Leg Assy - Removable Cushion Foot	2B	14.12"	28.26"
742913	Lower Leg Assy - Removable Cushion Foot	2B	16.87"	31.07"



# HOLLAND – CMS3 ASSEMBLY

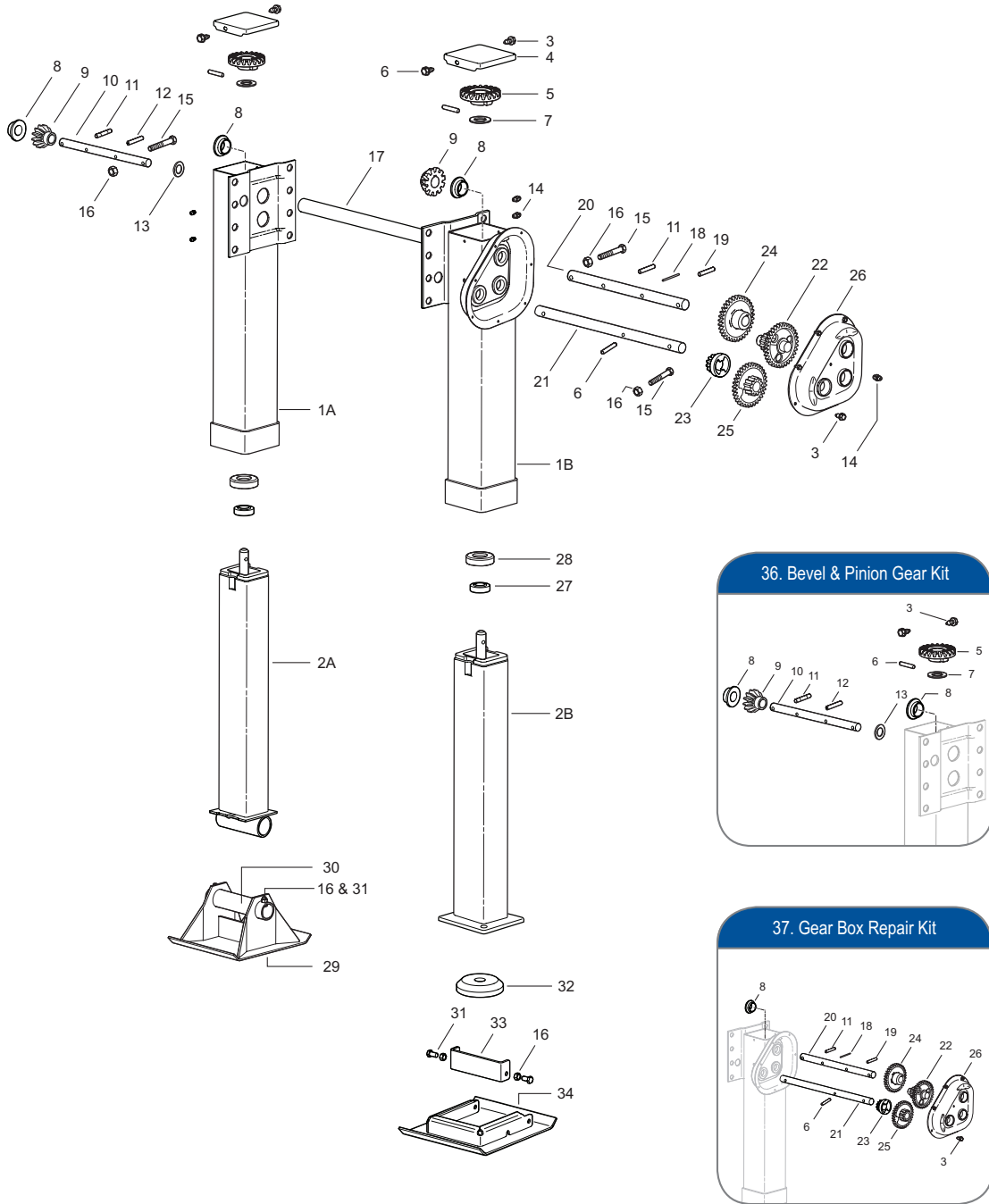


Table 5-14: CMS3 Assembly

Part Number	Description	Item No.	One Speed	Two Speed
XB-ST5-008-11	Self-Tapping Screw	3	2	10
751612	Cover	4	1	1
130004	Bevel Gear	5	1	1
725046	Groove Pin - .31" x 1.50"	6	1	2
722018	Washer - Hardened	7	1	1

<i>Part Number</i>	<i>Description</i>	<i>Item No.</i>	<i>One Speed</i>	<i>Two Speed</i>
724037	Shaft Bushing	8	2	1
130003	Pinion Gear	9	1	1
750004	Pinion Shaft - 1 Speed Universal Mount	10	1	-
750450	Pinion Shaft - 1 Speed Outside Mount	10	1	-
751873	Pinion Shaft - 1 Speed Inside Mount	10	1	-
725002	Spring Pin - 3/8" x 1-3/8"	11	1	1
725001	Spring Pin - 1/4" x 1-1/4"	12	1	-
722000	Flat Washer	13	1	-
727000	Grease Fitting	14	2	3
XB-HHC-050-42	Hex Cap Screw - 3/8"-16 x 2-14"	15	1	2
XB-SLN-012-04	Self-Locking Nut - 3/8"-16 - Cross Drive Shaft	16	1	2
XB-SLN-012-04	Self-Locking Nut - 3/8"-16 - Sandshoe	16	1	1
XB-SLN-012-04	Self-Locking Nut - 3/8"-16 - RCF	16	2	2
LG0094-XXXX	Cross Drive Shaft	17	1	-
729002	Wire	18	-	1
725003	Spring Pin - .375" x 1.50"	19	-	1
180000	Pinion Shaft - 2 Speed Universal Mount	20	-	1
180010	Pinion Shaft - 2 Speed Outside Mount	20	-	1
180016	Pinion Shaft - 2 Speed Inside Mount	20	-	1
751175	Crankshaft - Universal Mount	21	-	1
751198	Crankshaft - Outside Mount	21	-	1
751175	Crankshaft - Inside Mount	21	-	1
130001	Rigid Gear	22	-	1
751173	Low Speed Drive Gear	23	-	1
130002	High Speed Drive Gear	24	-	1
130000	Gear	25	-	1
160000	Outside Cover Assembly	26	-	1
730007	Collar - Elevating Screw	27	1	1
729108	Bearing	28	1	1
50616001	Sandshoe - 10" x 10" x 4.50"	29	1	1
50616008	Sandshoe - 10" x 10" x 2.00"	29	1	1
LG0070-02	Sandshoe Axle - Hollow Axle - 8.50" Lg	30	1	1
XB-HHC-050-69	Hex Cap Screw - .375"-16 x .75" - Sandshoe	31	1	1
XB-HHC-050-70	Hex Cap Screw - .375"-16 x .75" - RCF	31	1	1
728003	Cushion Foot Pad - RCF	32	1	1
730638	Interchangeable Strap - RCF	33	1	1
730640	RCF - 10" x 10"	34	1	1
RK-11321	Bevel & Pinion Gear Kit	36	1	1
RK-11322	Gear Box Repair Kit	37	1	1

## HOLLAND – CMS3 TRAVEL

Table 5-15: CMS3 Travel Measurements

<i>Part Number</i>	<i>Description</i>	<i>Item No.</i>	<i>Travel (in.)</i>	<i>A (in.)</i>
150001	Upper Leg Assy LH	1A	17"	28.25"
150000	Upper Leg Assy RH	1B	17"	28.25"
742111	Lower Leg Assy - Sandshoe	2A	17"	28.25"
742913	Lower Leg Assy - Removable Cushion Foot	2B	17"	51.38"

# HOLLAND - FG4000 STANDARD ASSEMBLY

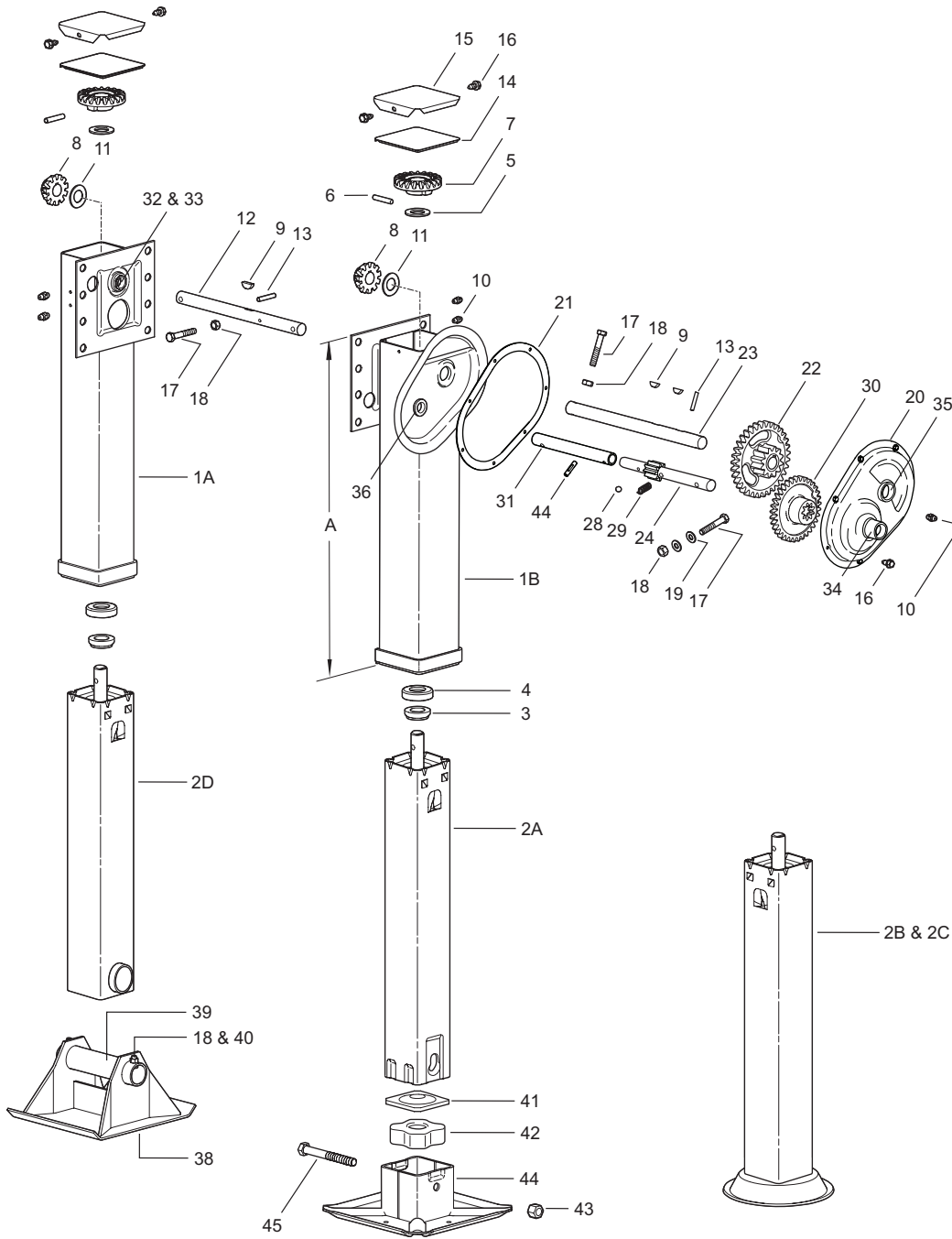


Table 5-16: FG4000 Standard Assembly

Part Number	Description	Item No.	One Speed	Two Speed
XB-LG0544	Collar	3	1	1
XB-BRG-013-77	Thrust Bearing	4	1	1
XB-PW-016-62	Washer - FL 2" OD x 1.192" ID x .125" THK	5	1	1
XA-CRP-V-06635	Pin - .375" x 2.00"	6	1	1
XA-LG0570-01	Bevel Gear	7	1	1

Part Number	Description	Item No.	One Speed	Two Speed
XB-LG1823-01	Pinion Gear	8	1	1
XB-KEY-018-02	Woodruff Key - .25" x .82"	9	1	2
XB-GRF-022-16	Grease Fitting - 1/4"-28 - Self-Tapping	10	2	3
XB-PW-016-19	Washer - FL 1.875"OD x 1.015"ID x 0.63"THK	11	1	1
LG0927	Jack Shaft LH - Universal Mount	12	1	-
LG0946	Jack Shaft LH - I-Beam Mount	12	1	-
LG0946-02	Jack Shaft LH - Conventional Mount	12	1	-
LG0948	Jack Shaft LH - Reverse Mount	12	1	-
XB-SP-014-27	Spring Pin - .25" x 1.50"	13	1	1
XB-LG0893	Gasket	14	1	1
XA-LG0880	Cover	15	1	1
XB-STS-008-11	Self-Tapping Screw - .25"-20 x .50" Lg	16	2	9
XB-HHC-050-42	Screw - Hex Cap - .375"-16 x 2.25" Lg GR5	17	1	2
XB-SLN-012-04	Self-Locking Nut - .375"-16	18	2	3
XB-PW-016-03	Washer - .375" Std Type A	19	-	2
XB-LG0944-100	Gearbox Half - Outside	20	-	1
XB-LG0891	Gearbox Gasket	21	-	1
LG0936-51	Output Gear	22	-	1
LG2147	Jack Shaft RH - Universal Mount	23	-	1
LG2187	Jack Shaft RH - I-Beam Mount	23	-	1
LG2187-01	Jack Shaft RH - Conventional Mount	23	-	1
LG2197	Jack Shaft RH - Reverse Mount	23	-	1
LG2463-01	Input Gear - Low - Universal, I-Beam, Conv.	24	-	1
LG-2464-01	Input Gear - Low - Reverse	24	-	1
XB-BAL-023-07	Shift Lock Ball	28	-	1
XB-SPG-020-36	Shift Lock Spring	29	-	1
LG2465-01	Input Gear - High	30	-	1
LG2462	Shift Shaft Extension - Universal, Reverse	31	-	1
LG2094	Retainer - Hex Lock	32	2	1
LG2095	Boss - Hex Lock	33	2	1
XB-LG0658-01	Shift Lock Boss	34	-	1
XB-LG0659-01	Gearbox Boss	35	-	1
XB-LG0931	Gearbox Boss - Inside Half	36	-	1
LG0055	Sandshoe 10" x 10" x 4.50"	38	1	1
LG0050	Sandshoe 10" x 12" x 4.50"	38	1	1
LG0056	Sandshoe 10" x 10" x 2"	38	1	1
LG0051	Sandshoe 10" x 12" x 2"	38	1	1
LG0070-02	Sandshoe Axle - Hollow Axle 8.50" Lg	39	1	1
XB-HHC-050-69	Screw - Hex Cap - .375"-16 x .75"	40	1	1
LG0725	Cushion Foot Plate	41	1	1
XB-LG0726	Cushion Foot Rubber	42	1	1
XB-HHB-050-70	Bolt - Hex Head - .63"-11 x 5.50"	43	1	1
LG0718-01	R.C.F. 10" Dia.	44	1	1
LG0740-01	R.C.F. 12" Dia.	44	1	1

<i>Part Number</i>	<i>Description</i>	<i>Item No.</i>	<i>One Speed</i>	<i>Two Speed</i>
LG0732-01	R.C.F. 10" x 10" Dia.	44	1	1
XB-SP0012-10	Self-Locking Nut - .63"-11	45	1	1
XB-GP-052-49	Groove Pin - 1/4" x 1-1/8" Type E - Univ & Rev.	46	-	1

## HOLLAND – FG4000 STANDARD TRAVEL

Table 5-17: FG4000 Standard Travel Measurements

<i>Part Number</i>	<i>Description</i>	<i>Item No.</i>	<i>Travel (in.)</i>	<i>A (in.)</i>
LG-0884-01	Retract Tube - RCF (25.56")	2A	13-1/2"	25.56"
LG0884-05	Retract Tube - RCF (26.56")	2A	15-1/2"	26.56"
LG0884-04	Retract Tube - RCF (28.06")	2A	17"	28.06"
LG0884-02	Retract Tube - RCF (30.06")	2A	17"	30.06"
LG0884-03	Retract Tube - RCF (30.06")	2A	19"	30.06"
LG0624-07	Retract Tube - 10" Shockfoot (28.06")	2B	13-1/2"	28.06"
LG0624-10	Retract Tube - 10" Shockfoot (28.06")	2B	17"	28.06"
LG0624-08	Retract Tube - 10" Shockfoot (30.06")	2B	17"	30.06"
LG0624-09	Retract Tube - 10" Shockfoot (30.06")	2B	19"	30.06"
LG0624-01	Retract Tube - 12" Shockfoot (28.06")	2C	13-1/2"	28.06"
LG0624-11	Retract Tube - 12" Shockfoot (28.06")	2C	17"	28.06"
LG0624-02	Retract Tube - 12" Shockfoot (30.06")	2C	17"	30.06"
LG0624-03	Retract Tube - 12" Shockfoot (30.06")	2C	19"	30.06"
LG0914-02	Retract Tube - Sandshoe (25.56")	2D	13-1/2"	25.56"
LG0914-04	Retract Tube - Sandshoe (26.56")	2D	15-1/2"	26.56"
LG0914-02	Retract Tube - Sandshoe (28.06")	2D	17"	28.06"
LG0914-03	Retract Tube - Sandshoe (30.06")	2D	19"	30.06"

# HOLLAND – FG4000 NoLUBE ASSEMBLY

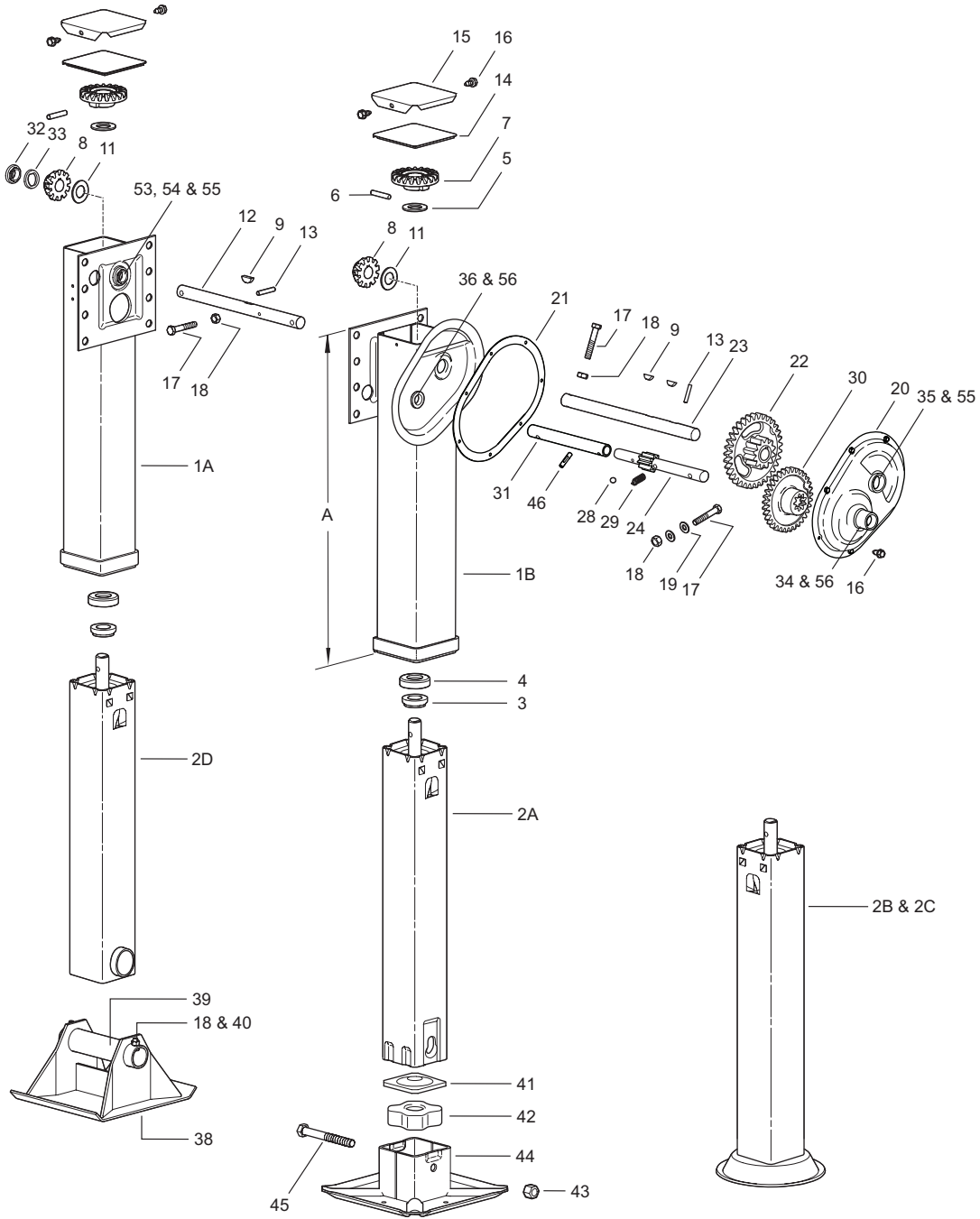


Table 5-18: FG4000 NoLube Assembly

Part Number	Description	Item No.	One Speed	Two Speed
XB-LG0544	Collar	3	1	1
XB-BRG-013-77	Thrust Bearing	4	1	1
XB-PW-016-62	Washer - FL 2" OD x 1.192" ID x .125" THK	5	1	1
XA-CRP-V-06635	Groove Pin - .375" Dia. x 2"	6	1	1
XA-LG0570-01	Bevel Gear	7	1	1

<i>Part Number</i>	<i>Description</i>	<i>Item No.</i>	<i>One Speed</i>	<i>Two Speed</i>
XB-LG1823-01	Pinion Gear	8	1	1
XB-KEY-018-02	Woodruff Key - .25" x .88"	9	1	2
XB-PW-016-19	Washer - 1.88"OD x 1.015"ID x 0.63"THK	11	1	1
LG0927	Jack Shaft LH - Universal Mount	12	1	-
LG0946	Jack Shaft LH - I-Beam Mount	12	1	-
LG0946-02	Jack Shaft LH - Conventional Mount	12	1	-
LG0948	Jack Shaft LH - Reverse Mount	12	1	-
XB-SP-014-27	Spring Pin - .25" x 1.50"	13	1	1
XB-LG0893	Cover Gasket	14	1	1
XA-LG0880	Top Cover	15	1	1
XB-STS-008-11	Self-Tapping Screw - .25"-20 x .50" Lg	16	2	9
XB-HHC-050-42	Screw - Hex Cap - .375"-16 x 2.25 GR5	17	1	2
XB-SLN-012-04	Self-Locking Nut - .375"-16	18	2	3
XB-PW-016-03	Washer - .375 Std Type A	19	-	2
LG0944-200	Gearbox Half - Outside	20	-	1
XB-LG0891	Gearbox Gasket	21	-	1
LG0936-51	Output Gear	22	-	1
LG2147	Jack Shaft RH - Universal Mount	23	-	1
LG2187	Jack Shaft RH - I-Beam Mount	23	-	1
LG2187-01	Jack Shaft RH - Conventional Mount	23	-	1
LG2197	Jack Shaft RH - Reverse Mount	23	-	1
LG0935	Input Gear - Low - Universal & I-Beam	24	-	1
LG0935-011	Input Gear - Low - Conventional & Reverse	24	-	1
XB-BAL-023-07	Shift Lock Ball	28	-	1
XB-SPG-020-36	Shift Lock Spring	29	-	1
XB-LG0934	Input Gear - High	30	-	1
LG2462	Shift Shaft Extension - Universal & Reverse	31	-	1
XB-LG1570	Retainer - Hex Lock	32	1	-
LG0559-10	Boss - Hex Lock w/Seals	33	1	-
XB-LG0658-01	Shift Lock Boss	34	-	1
XB-LG0659-01	Gearbox Boss	35	-	2
XB-LG0931	Gearbox Boss - Inside Half	36	-	1
LG0055	Sandshoe 10" x 10" x 4.50"	38	1	1
LG0050	Sandshoe 10" x 12" x 4.50"	38	1	1
LG0056	Sandshoe 10" x 10" x 2"	38	1	1
LG0051	Sandshoe 10" x 12" x 2"	38	1	1
LG0070-02	Sandshoe Axle - Hollow Axle - 8.50 Lg	39	1	1
XB-HHC-050-69	Screw - Hex Cap - .375"-16 x .75"	40	1	1
LG0725	Cushion Foot Plate	41	1	1
XB-LG0726	Cushion Foot Rubber	42	1	1
XB-HHB-050-70	Bolt - Hex Head - .63"-11 x 5.50"	43	1	1
LG0732-01	R.C.F. 10" x 10" Dia.	44	1	1
LG0718-01	R.C.F. 10" Dia.	44	1	1
LG0740-01	R.C.F. 12" Dia.	44	1	1



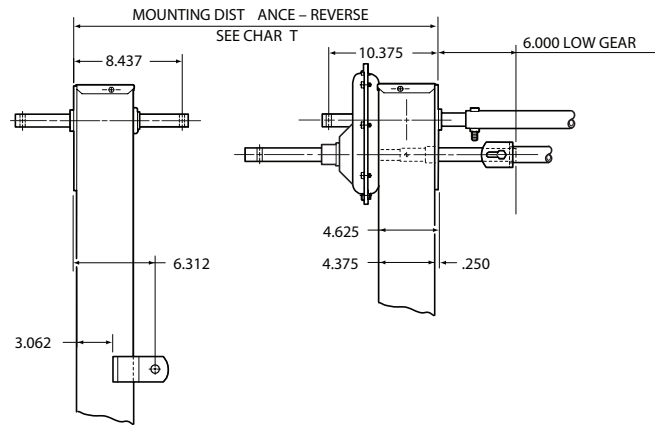
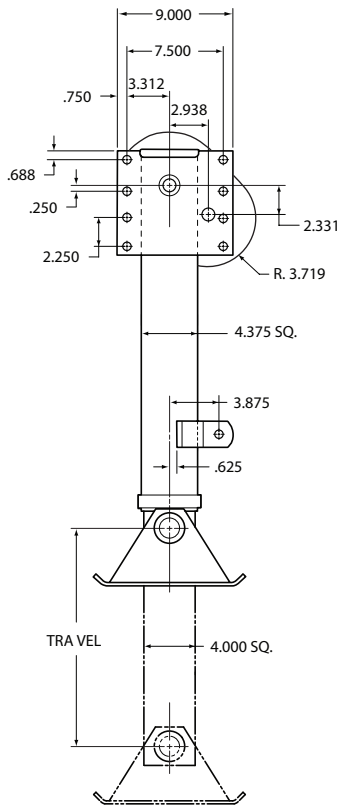
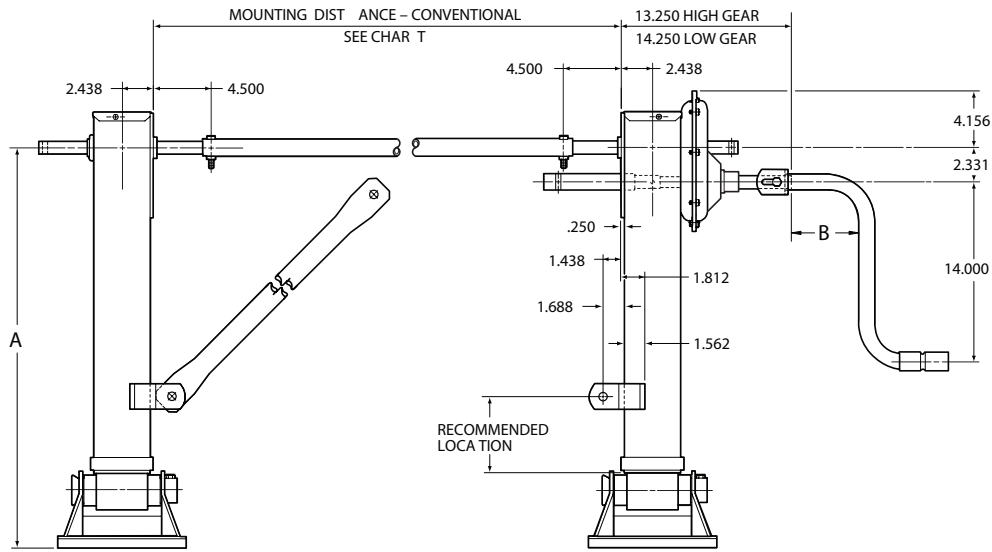
<i>Part Number</i>	<i>Description</i>	<i>Item No.</i>	<i>One Speed</i>	<i>Two Speed</i>
XB-SP0012-10	Self-Locking Nut - .63"-11	45	1	1
XB-GP-052-49	Groove Pin - .25" x 1.125" Type E	46	-	1
XB-LG0219-02	Bushing	53	1	1
LG1326	Boss - Short	54	1	1
XB-SEL-030-17	Oil Seal	55	1	3
XB-SEL-030-18	Oil Seal	56	-	1

## HOLLAND – FG4000 NoLUBE TRAVEL

Table 5-19: FG4000 NoLube Travel Measurements

<i>Part Number</i>	<i>Description</i>	<i>Item No.</i>	<i>Travel (in.)</i>	<i>A (in.)</i>
LG0884-11	Retract Tube - RCF (25.56")	2A	13-1/2"	25.56"
LG0884-15	Retract Tube - RCF (26.56")	2A	15-1/2"	26.56"
LG0884-14	Retract Tube - RCF (28.06")	2A	17"	28.06"
LG0884-12	Retract Tube - RCF (30.06")	2A	17"	30.06"
LG0624-43	Retract Tube - 10" Shockfoot (28.06")	2B	17"	28.06"
LG0624-45	Retract Tube - 10" Shockfoot (30.06")	2B	17"	30.06"
LG0624-11	Retract Tube - 12" Shockfoot (28.06")	2C	17"	28.06"
LG0624-02	Retract Tube - 12" Shockfoot (30.06")	2C	17"	30.06"
LG0914-11	Retract Tube - Axle (25.56")	2D	13-1/2"	25.56"
LG0914-14	Retract Tube - Axle (28.06")	2D	15-1/2"	26.56"
LG0914-12	Retract Tube - Axle (28.06")	2D	17"	28.06"

# HOLLAND - FG4000 DIMENSIONS



## FG4000 DIMENSIONS

TRAVEL	"A" 10x10x4-1/2 & 10x12x4-1/2 Sandshoe	"A" 10x10x2 & 10x12x2 Sandshoe	"A" SHOCKFOOT	"A" R.C.F. - MRL	"A" R.C.F. - STD	CRANK PART NO.	"B"
13.5"	28.688	26.188	29.250	27.250	---	LG0083-01	5.250
15.5"	29.688	27.188	---	28.250	---	LG0083-03	10.875
17"	31.188	28.688	31.750	29.750	31.750	---	---
19"	33.688	31.188	31.750	---	32.375	LG0083-05	16.875

## MOUNTING DISTANCES

REVERSE MOUNTING DISTANCE	96" WIDE TRAILER	102" WIDE TRAILER	CONVENTIONAL MOUNT- ING DISTANCE	96" WIDE TRAILER	102" WIDE TRAILER
Maximum	84.00	90.00	Maximum	67.50	73.50
Minimum - LG0083-01	78.00	84.00	Minimum - LG0083-01	61.50	67.50
Minimum - LG0083-03	66.75	72.75	Minimum - LG0083-03	50.25	56.25
Minimum - LG0083-05	54.75	60.75	Minimum - LG0083-05	38.25	44.25

## HOLLAND – DUAL-PIN DROP LEG

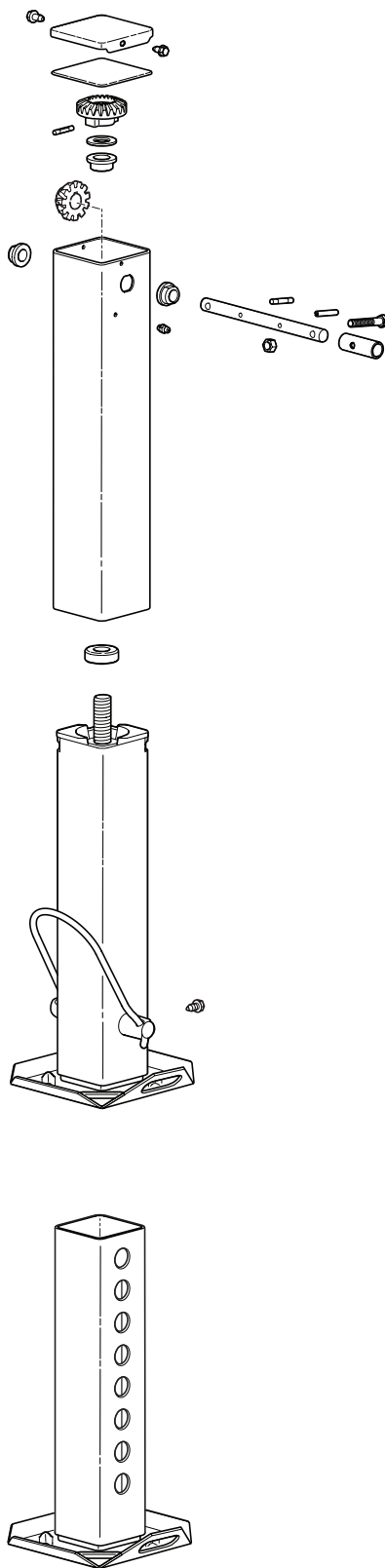
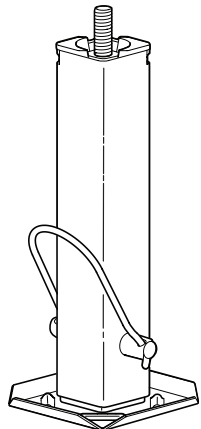


Table 5-20: Dual-Pin Drop Leg Assembly



Spring Loaded Model  
LG2032

Product	Part Number	Description	Item No.	Quantity
	XA-LG0880	Top Cover	1	1
	XB-ST5-008-11	Self-Tapping Screw - .25"-20 x .50"	2	2
	XB-LG0893	Cover Gasket	3	1
	XB-LG2027	Bevel Gear	4	1
	XB-GP-014-07	Groove Pin - .25" x 1.50" Type E	5	2
	XB-PW-016-51	Washer - 1.015" ID x 1.75" OD x .13" Thk	6	1
	XB-LG1460	Flange Bearing	7	1
	LG2329	Slip-Fit Bushing	8	2
	XB-LG2026	Pinion Gear	9	1
	XB-SP-014-27	Spring Pin - .25" x 1.50"	10	1
	XB-HHC-050-42	Hex Head Screw - .375"-16 x 2.25" Grade 5	11	1
	XB-CP4651-16	Crank Adapter	12	1
	LG2328	Drive Shaft	13	1
	XB-SLN-012-04	Self-Locking Nut - .375"-16 Grade B	14	1
	XB-GRF-022-16	Grease Fitting - .25"-28	15	1
	LG2392-03	Upper Housing	16	1
	XB-BRG-013-70	Thrust Bearing	17	1
	LG2032-01	Tube Assy - Retracting & Screw	18A	1
	LG2032	Tube Assy - Spring Loaded Retracting & Screw	18B	1
	XB-ST5-008-17	Self-Tapping Screw - .375"-16 x .44"	19	1
	LG2003-01	Tube - Drop - Dual Pin	20	1
	XB-DCL-031-60	Decal - Dual Pin (Not Shown)	21	1

## HOLLAND - 4700 SERIES

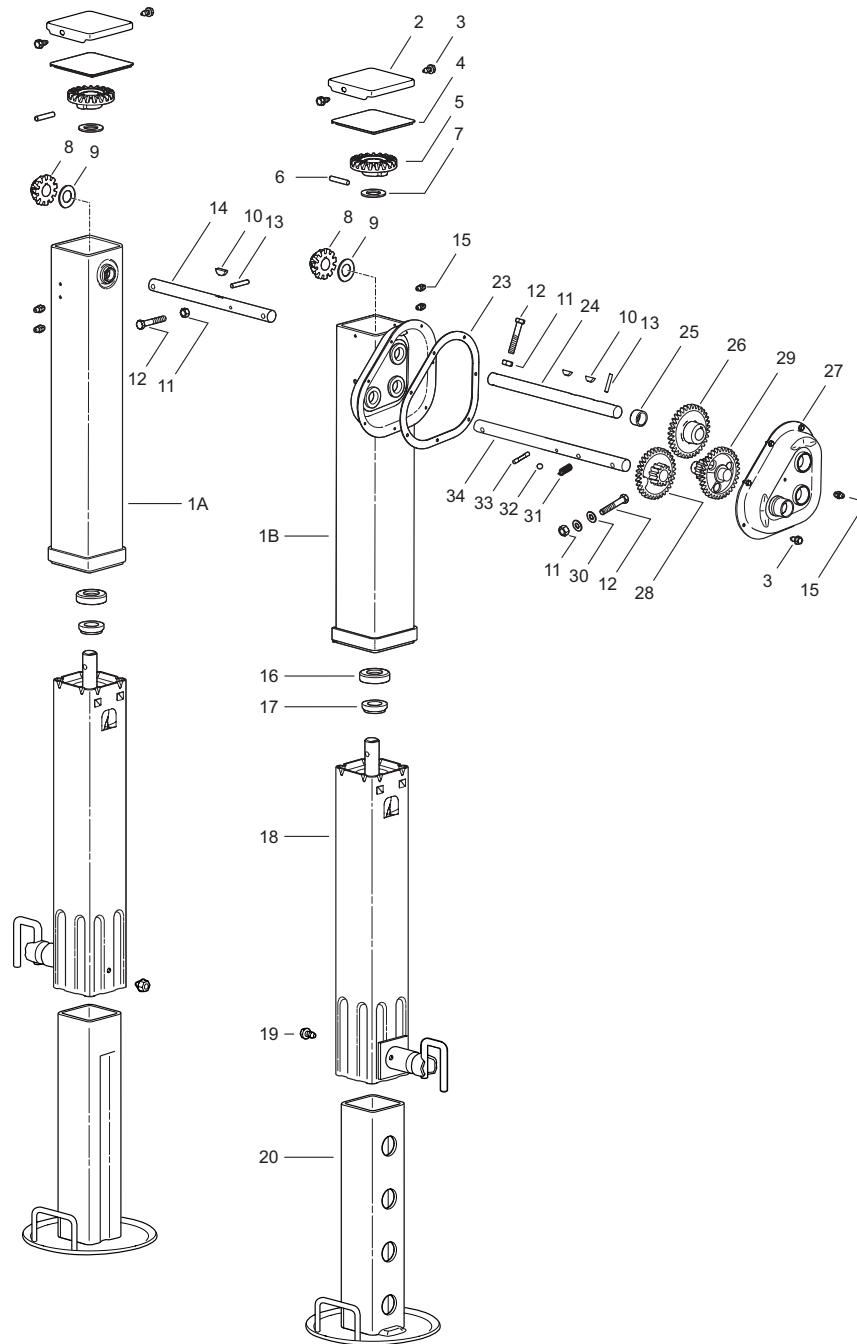


Table 5-21: 4700 Series Assembly

Part Number	Description	Item No.	One Speed	Two Speed
LG2410-01	Upper Housing - LH	1A	1	-
LG2409-01	Upper Housing - RH	1B	-	1
XA-LG0880	Top Cover	2	1	1
XB-ST5-008-11	Self-Tapping Screw - .25"-20 x .50"	3	2	9
XB-LG0893	Cover Gasket	4	1	1

<i>Part Number</i>	<i>Description</i>	<i>Item No.</i>	<i>One Speed</i>	<i>Two Speed</i>
XA-LG0570-01	Bevel Gear	5	1	1
XA-CRP-V-06635	Pin - .375" x 2"	6	1	1
XB-PW-016-62	Washer - .38"	7	1	1
XB-LG1823-01	Pinion Gear	8	1	1
XB-PW-016-19	Thrust Washer	9	1	1
XB-KEY-018-02	Woodruff Key	10	1	2
XB-SLN-012-04	Self-Locking Nut - .375"-16 Grade B	11	1	2
XB-HHC-050-42	Screw - Hex Head - .375"-16 x 2.25" Grade 5	12	1	2
XB-SP-014-27	Spring Pin - .25" x 1.50"	13	1	1
LG0189-01	Jack Shaft LH - Dropleg	14	1	-
XB-GRF-022-16	Grease Fitting - .25"-28 Straight	15	2	3
XB-BRG-013-77	Thrust Bearing	16	1	1
XB-LG0544	Collar	17	1	1
LG0822	Retracting Tube Assy - 51000 Dropleg	18	1	1
XB-ST5-008-17	Self-Tapping Screw - .375"-16 x .44" Hex Head	19	1	1
LG0827-01	Tube - Inner Telescoping - 51000 Dropleg	20	1	1
XB-LG0428	Gearbox Gasket	23	-	1
LG0928	Jack Shaft RH - Universal	24	-	1
XB-LG0219-01	Bushing	25	-	1
LG0543-01	Output Gear	26	-	1
XB-LG0663	Gearbox - Outside Half	27	-	1
LG0541-01	Input Gear	28	-	1
XB-LG0542-01	Idler Gear	29	-	1
XB-PW-016-03	Washer - .375" Std	30	-	2
XB-SPG-020-36	Compression Spring	31	-	1
XB-BAL-023-07	Ball - .375" Dia.	32	-	1
XB-GP-014-07	Groove Pin - .25" x 1.50"	33	-	1
LG0261-01	Shift Shaft - Universal	34	-	1

# HOLLAND - 4701 SERIES

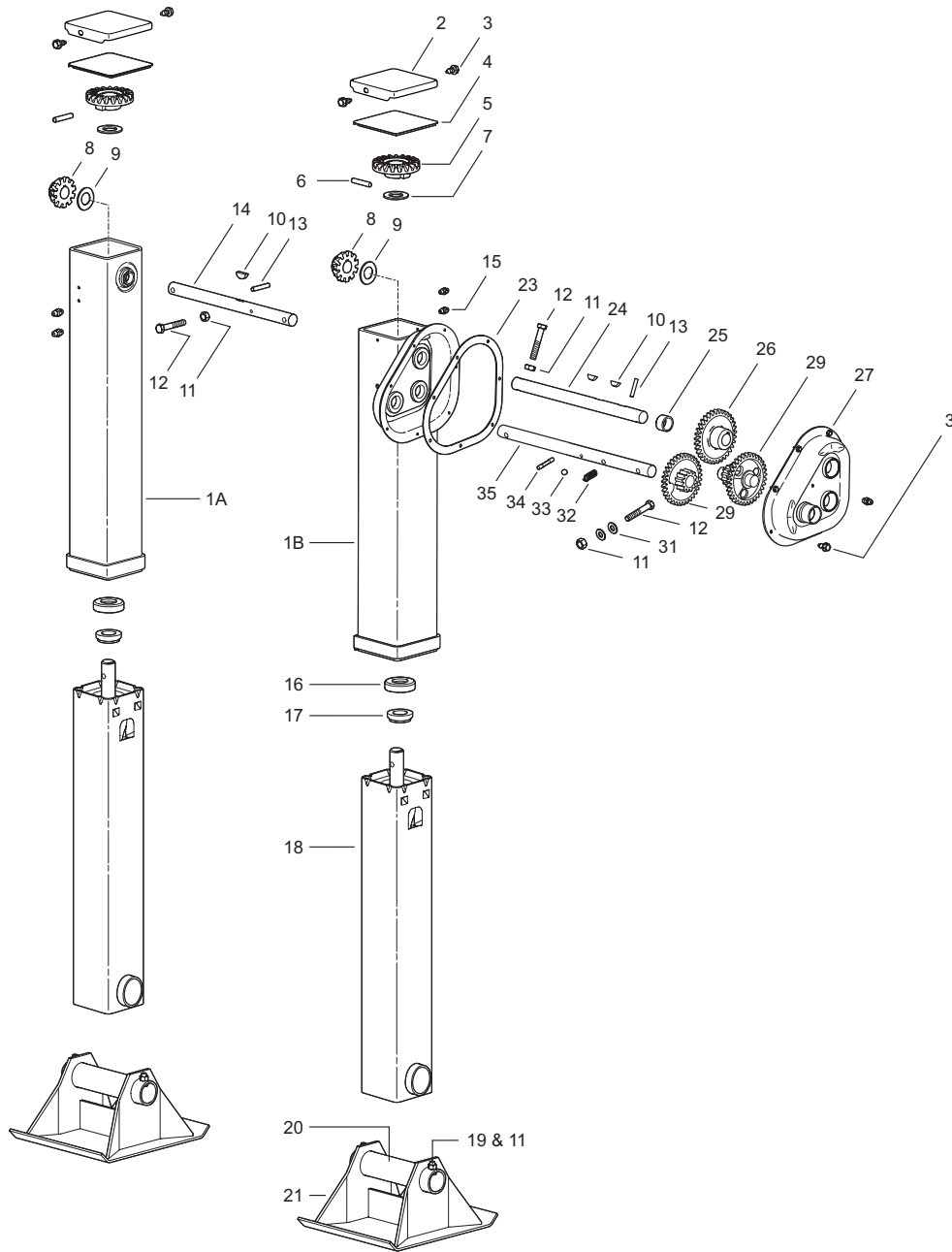


Table 5-22: 4701 Series Assembly

Part Number	Description	Item No.	One Speed	Two Speed
LG2410-03	Housing - LH w/2 Ftg Holes	1A	1	-
LG2409-03	Upper Housing - RH w/2 Ftg Holes	1B	-	1
XA-LG0880	Top Cover	2	1	1
XB-ST5-008-11	Self-Tapping Screw - .25"-20 x .50"	3	2	9
XB-LG0893	Cover Gasket	4	1	1

<i>Part Number</i>	<i>Description</i>	<i>Item No.</i>	<i>One Speed</i>	<i>Two Speed</i>
XA-LG0570-01	Bevel Gear	5	1	1
XA-CRP-V-06635	Pin - .375" x 2"	6	1	1
XB-PW-016-62	Washer	7	1	1
XB-LG1823-01	Pinion Gear	8	1	1
XB-PW-016-19	Thrust Washer	9	1	1
XB-KEY-018-02	Woodruff Key	10	1	2
XB-SLN-012-04	Self-Locking Nut - .375"-16 Grade B	11	2	3
XB-HHC-050-42	Screw - Hex Head - .375"-16 x 2.25" Grade 5	12	1	2
XB-SP-014-27	Spring Pin - .25" x 1.50"	13	1	1
LG0927	Jack Shaft LH - Universal	14	1	-
XB-GRF-022-16	Grease Fitting - .25"-28 Straight	15	2	3
XB-BRG-013-77	Thrust Bearing	16	1	1
XB-LG0544	Collar	17	1	1
LG0914-02	Retracting Tube Assy - 51000 Dropleg	18	1	1
XB-HHC-050-69	Screw - Hex Head .375"-16 x .75"	19	1	1
LG0070-02	Axle Assy	20	1	1
LG0055	Shoe - 10" x 10" x 4.50"	21	1	1
LG0056	Shoe - 10" x 10" x 2"	21	1	1
XB-LG0428	Gearbox Gasket	24	-	1
LG0928	Jack Shaft RH - Universal	25	-	1
XB-LG0219-01	Bushing	26	-	1
LG0543-01	Output Gear	27	-	1
XB-LG0663	Gearbox - Outside Half	28	-	1
LG0541-01	Input Gear	29	-	1
XB-LG0542-01	Idler Gear	30	-	1
XB-PW-016-03	Washer - 3/8" Std	31	-	2
XB-SPG-020-36	Compression Spring	32	-	1
XB-BAL-023-07	Ball - 3/8" Dia.	33	-	1
XB-GP-014-07	Groove Pin - .25" x 1.50"	34	-	1
LG0261-01	Shift Shaft - Universal	35	-	1



# HOLLAND – 48000 SERIES

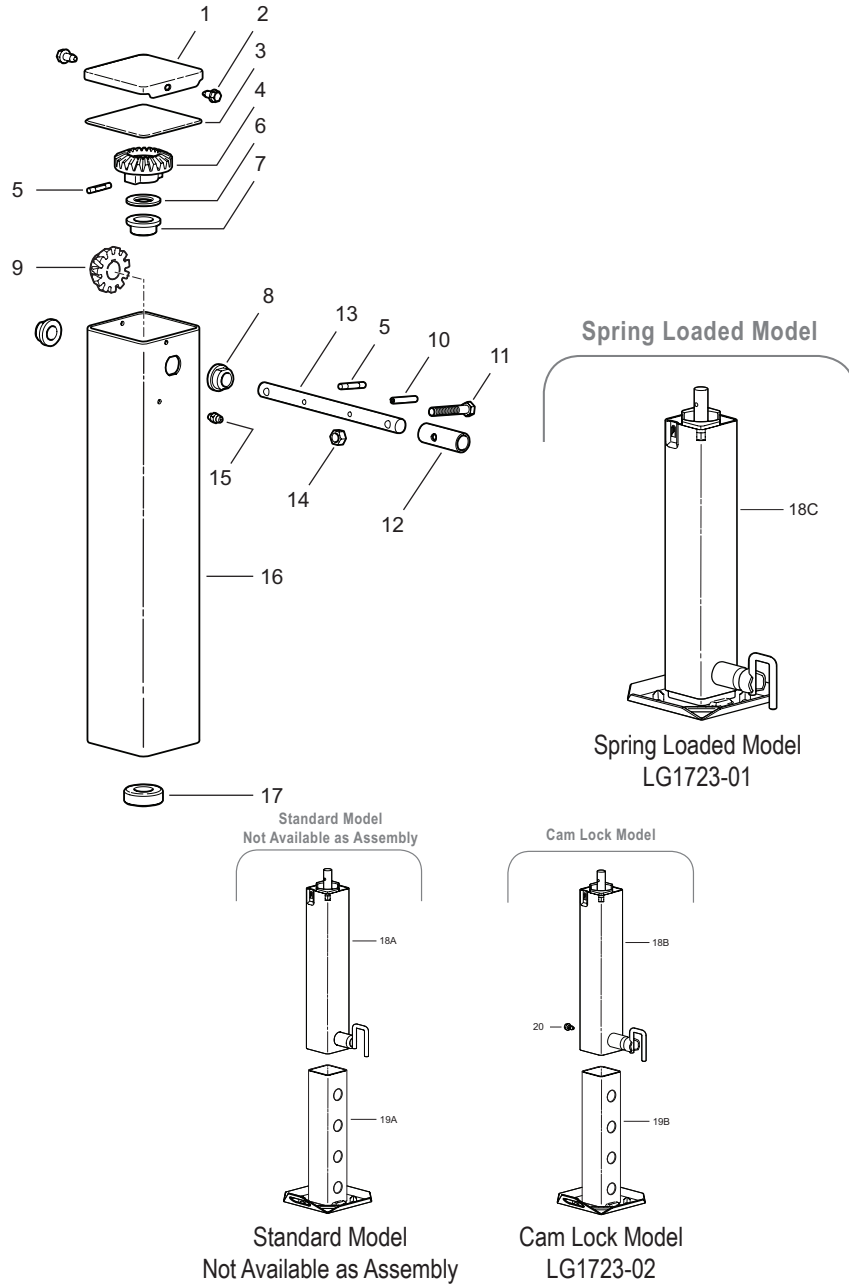


Table 5-23: 48000 Series Assembly

Part Number	Description	Item No.	Quantity
XA-LG0880	Top Cover	1	1
XB-ST5-008-11	Self-Tapping Screw - .25"-20 x .50"	2	2
XB-LG0893	Cover Gasket	3	1
XB-LG2027	Bevel Gear	4	1
XB-GP-014-07	Groove Pin - .25" x 1.50" Type E	5	2
XB-PW-016-51	Washer - 1.015" ID x 1.75" OD x .13" Thk	6	1

<i>Part Number</i>	<i>Description</i>	<i>Item No.</i>	<i>Quantity</i>
XB-LG1460	Flange Bearing	7	1
LG2329	Slip-Fit Bushing	8	2
XB-LG2026	Pinion Gear	9	1
XB-SP-014-27	Spring Pin - .25" x 1.50"	10	1
XB-HHC-50-42	Hex Head Screw - .375"-16 x 2.25" Grade 5	11	1
XB-CP4651-16	Crank Adapter	12	1
LG2328	Drive Shaft	13	1
XB-SLN-012-04	Self-Locking Nut - .375"-16 Grade B	14	1
XB-GRF-022-16	Grease Fitting - .25"-28	15	1
LG2392-01	Upper Housing	16	1
XB-BRG-013-70	Thrust Bearing	17	1
LG1899	Tube Assy - Std. Retracting	18A	1
LG1721	Tube Assy- Cam-Lock Retracting Drop Leg	18B	1
LG1723-01	Tube Assy- Retract Screw	18C	1
LG1720-40	Tube - Inner Telescoping	19A	1
LG1720-10	Tube - Inner Telescoping	19B	1
XB-ST5-008-17	Self-Tapping Screw - .375"-16 x .44"	20	1
XB-DCL-031-79	Decal - Model 48000 Spring Loaded (Not Shown)	21	1

# HOLLAND - 49000

Table 5-24: 49000 Assembly

Product	Part Number	Description	Item No.	Qty.
<b>49000 GOOSENECK ASSEMBLY</b>				
	XA-LG0880	Top Cover	1	1
	XB-ST5-008-11	Self-Tapping Screw - .25"-20 x .50"	2	2
	XB-LG0893	Cover Gasket	3	1
	XB-LG2027	Bevel Gear	4	1
	XB-GP-014-07	Groove Pin - .25" x 1.50" Type E	5	2
	XB-PW-016-51	Washer - 1.015 ID x 1.75 OD x .13 THK	6	1
	XB-LG1460	Flange Bearing	7	1
	LG2329	Slip-Fit Bushing	8	2
	XB-LG2026	Pinion Gear	9	1
	XB-SP-014-27	Spring Pin - .25" x 1.50"	10	1
	XB-SLN-012-04	Self-Locking Nut - .375"-16 Grade B	11	1
	XB-CP4651-16	Crank Adapter	12	1
	LG2328	Drive Shaft	13	1
	XB-HHC-50-42	Hex Head Screw - .375"-16 x 2.25" Grade 5	14	1
	XB-GRF-022-16	Grease Fitting - .25"-28	15	1
	LG2392-02	Upper Housing	16	1
	XB-BRG-013-70	Thrust Bearing	17	1
	LG1468	Tube Assy - Retracting & Screw - 49000	18	1

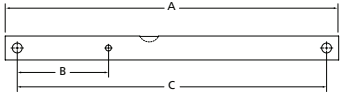
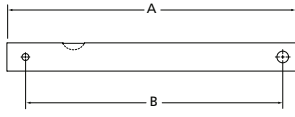
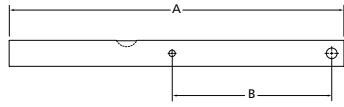
# 49000 ANTI-NOSE DIVE ASSEMBLY

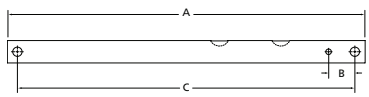
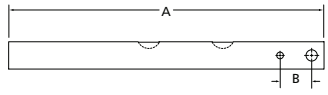
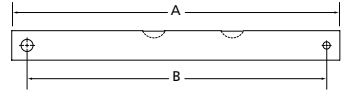
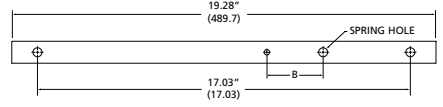
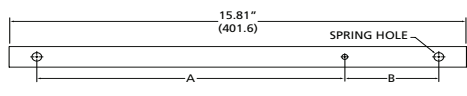
	LG1871	Upper Housing	1	1
	LG1877	Lockpin Assembly	2	1
	See "49000 Anti-Nose Dive Inner Tube" on page 5-50.	Inner Tube - Welded Shoe	3A	1
		Inner Tube - Removable Shoe	3B	1
	LG0177	Removable Shoe	4	1
	XB-HHC-001-40	Hex Head Screw - .50"-13 x 3.50"	5	1
	XB-SLN-012-07	Self-Locking Nut - .50"-13	6	1
XB-DCL-031-66	Decal - Operating Instructions (Not Shown)	7	1	

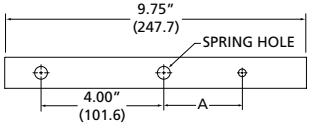
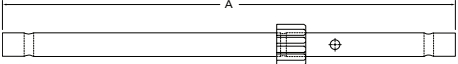
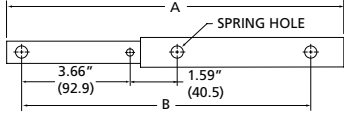
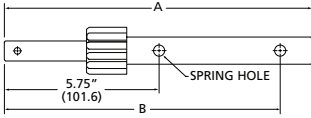
Product	Part Number	Description	Item No.	Qty.
<b>49000 ANTI-NOSE DIVE INNER TUBE</b>				
	LG1872	Inner Tube - Welded Shoe, 88.25" Tube Length	3A	88.25
	LG1872-02	Inner Tube - Welded Shoe, 80.75" Tube Length	3A	80.75
	LG1872-03	Inner Tube - Welded Shoe, 78.25" Tube Length	3A	78.25
	LG1872-04	Inner Tube - Welded Shoe, 71.75" Tube Length	3A	71.75
	LG1874-01	Inner Tube - Removable Shoe, 88.25" Tube Length	3A	88.25
	LG1874-03	Inner Tube - Removable Shoe, 78.25" Tube Length	3A	78.25
	LG1874-04	Inner Tube - Removable Shoe, 80.75" Tube Length	3B	80.75
	LG1874-05	Inner Tube - Removable Shoe, 71.75" Tube Length	3B	71.75

## HOLLAND – REPLACEMENT LANDING GEAR SHAFTS

Table 5-25: Replacement Landing Gear Shafts

Product	Part Number	Description	A (in.)	B (in.)	C (in.)
 <p>Left Hand Universal</p>	LG0259	Universal - 50000	13.94"	3.81"	12.94"
	LG0927	Universal - 51000 & FG4000	13.94"	4.04"	12.94"
 <p>Left Hand Reverse</p>	LG0436	Reverse - 50000	10.38"	9.13"	
	LG0948	Reverse - 51000 & FG4000	9.75"	8.90"	
 <p>Left Hand Conventional &amp; I-Beam</p>	LG0369-01	I-Beam - 50000	12.94"	5.94"	
	LG0369-05	Conventional - 50000	10.81"	3.81"	
	LG0946	I-Beam - 51000 & FG4000	12.31"	6.04"	
	LG0946-02	Conventional - 51000 & FG4000	10.31"	4.04"	

Product	Part Number	Description	A (in.)	B (in.)	C (in.)
 <p>Right Hand Universal</p>	LG0260	Universal - 50000	15.88"	1.13"	14.87"
	LG0928	Universal - 51000	15.88"	1.62"	14.88"
	LG2147	Universal - FG4000	15.88"	3.19"	14.88"
 <p>Right Hand Reverse</p>	LG0438	Reverse - 50000	11.56"	1.13"	
	LG0949	Reverse - 51000	11.34"	1.63"	
 <p>Right Hand Conventional &amp; I-Beam</p>	LG0370-01	I-Beam - 50000	16.81"	15.81"	
	LG0370-05	Conventional - 50000	14.75"	13.75"	
	LG0947	I-Beam - 51000 & FG4000	16.25"	15.25"	
	LG0947-02	Conventional - 51000 & FG4000	14.31"	13.25"	
 <p>Shift Shaft - Right Hand Universal</p>	LG2187	I-Beam FG4000	14.69"	13.69"	
	LG0261-01	Universal - 50000 & 51000	10.47"	2.56"	
 <p>Shift Shaft - Right Hand Reverse</p>	LG0861-01	Universal - EZ Shift	11.97"	2.19"	
	LG0437	Reverse - 50000 & 51000	10.47"	2.56"	
	LG0858	Reverse - EZ Shift	10.83"	2.19"	

Product	Part Number	Description	A (in.)	B (in.)	C (in.)
 <p>Shift Shaft - Right Hand Conventional &amp; I-Beam</p>	LG0371-01	Conventional & I-Beam - 50000 & 51000			
	LG0859-01	Conventional & I-Beam - EZ Shift			
 <p>Input Gear Assembly - EZ Shift</p>	LG0860	Universal	19.28"		
	LG0860-01	Conventional & I-Beam	9.75"		
	LG0860-03	Reverse	15.81"		
 <p>Shift Shaft - Right Hand FG4 Old Style</p>	LG0910	Universal - FG4	11.38"	9.75"	
	LG1925	Reverse - FG4	7.44"	CUT-OFF	
 <p>Low Input Gear - Right Hand FG4 New Style</p>	LG2463-01	Conventional - FG4	11.38"	10.25"	
	LG2464-01	Reverse - FG4	7.44"	CUT-OFF	

## HOLLAND – CRANK HANDLES

Table 5-26: Holland Crank Handles

Product	Part Number	Description	Length (in.)	Weight (lbs.)	Throw (in.)
---------	-------------	-------------	--------------	---------------	-------------

### VERTICAL FOLDING OEM UNIVERSAL-STYLE CRANK HANDLES



LG0083-01	Folding Vertical Handle, OEM (6.75")	6.75	2.50	14.00
LG0083-07	Folding Vertical Handle, OEM (8.63")	8.63	2.70	14.00
LG0083-03	Folding Vertical Handle, OEM (12.38")	12.38	3.00	14.00
LG0083-09	Folding Vertical Handle, OEM (16.13")	16.13	3.30	14.00
LG0083-05	Folding Vertical Handle, OEM (18.38")	18.38	3.50	14.00
LG0083-11	Folding Vertical Handle, OEM (21.63")	21.63	4.20	14.00

### HORIZONTAL FOLDING OEM UNIVERSAL-STYLE CRANK HANDLES



LG0083-02	Folding Horizontal Handle, OEM (6.75")	6.75	2.50	14.00
LG0083-08	Folding Horizontal Handle, OEM (8.63")	8.63	2.70	14.00
LG0083-04	Folding Horizontal Handle, OEM (12.38")	12.38	3.00	14.00
LG0083-10	Folding Horizontal Handle, OEM (16.13")	16.13	3.30	14.00
LG0083-06	Folding Horizontal Handle, OEM (18.38")	18.38	3.50	14.00
LG0083-12	Folding Horizontal Handle, OEM (21.63")	21.63	4.20	14.00
LG0083-02-GPC-PK	Folding Horizontal Handle, OEM (6.75")	6.75	2.50	14.00
LG0083-02-GREY-PC	Folding Horizontal Handle, OEM (6.75")	6.75	2.50	14.00

### VERTICAL FOLDING AFTERMARKET UNIVERSAL-STYLE CRANK HANDLES



50644000	Folding Vertical Handle, Aftermarket (6.75")	6.75	2.50	14.00
50644006	Folding Vertical Handle, Aftermarket (8.63")	8.63	2.70	14.00
50644002	Folding Vertical Handle, Aftermarket (12.38")	12.38	3.00	14.00
50644008	Folding Vertical Handle, Aftermarket (16.13")	16.13	3.30	14.00
50644004	Folding Vertical Handle, Aftermarket (18.38")	18.38	3.50	14.00
50644010	Folding Vertical Handle, Aftermarket (21.63")	21.63	4.20	14.00

### HORIZONTAL FOLDING AFTERMARKET UNIVERSAL-STYLE CRANK HANDLES




50644001	Folding Horizontal Handle, Aftermarket (6.75")	6.75	2.50	14.00
50644007	Folding Horizontal Handle, Aftermarket (8.63")	8.63	2.70	14.00
50644003	Folding Horizontal Handle, Aftermarket (12.38")	12.38	3.00	14.00
50644009	Folding Horizontal Handle, Aftermarket (16.13")	16.13	3.30	14.00
50644005	Folding Horizontal Handle, Aftermarket (18.38")	18.38	3.50	14.00
50644011	Folding Horizontal Handle, Aftermarket (21.63")	21.63	4.20	14.00

Product	Part Number	Description	Length (in.)	Weight (lbs.)	Throw (in.)
---------	-------------	-------------	--------------	---------------	-------------

**VERTICAL FOLDING OEM MARK V CRANK HANDLES**

	XA-V-90-7	Folding Vertical Handle, OEM Mark V (5.13")	5.13	2.50	14.00
	XA-V-90-0	Folding Vertical Handle, OEM Mark V (9.13" x 14.00")	9.13	3.00	14.00
	XA-V-90-1	Folding Vertical Handle, OEM Mark V (9.13" x 15.00")	9.13	3.10	15.00
	XA-V-90-8	Folding Vertical Handle, OEM Mark V (11.13" x 12.00")	11.13	3.00	12.00
	XA-V-90-2	Folding Vertical Handle, OEM Mark V (11.63" x 14.00")	11.63	3.20	14.00
	XA-V-90-5	Folding Vertical Handle, OEM Mark V (14.50")	14.50	3.50	14.00
	XA-V-90-10	Folding Vertical Handle, OEM Mark V (17.00")	17.00	3.70	14.00
	XA-V-90-11	Folding Vertical Handle, OEM Mark V (19.00")	19.00	3.90	14.00
	XA-V-90-12	Folding Vertical Handle, OEM Mark V (21.00")	21.00	4.10	14.00


**HORIZONTAL FOLDING OEM MARK V CRANK HANDLES**

	XA-V-90-161	Folding Horizontal Handle, OEM Mark V (4.62")	4.62	2.20	11.75
	XA-V-90-146	Folding Horizontal Handle, OEM Mark V (6.50")	6.50	2.70	14.00
	XA-V-90-3	Folding Horizontal Handle, OEM Mark V (9.13")	9.13	3.00	14.00
	XA-V-90-4	Folding Horizontal Handle, OEM Mark V (11.63")	11.63	3.20	14.00
	XA-V-90-6	Folding Horizontal Handle, OEM Mark V (14.50")	14.50	3.50	14.00
	XA-V-90-13	Folding Horizontal Handle, OEM Mark V (17.00")	17.00	3.70	14.00

**VERTICAL FOLDING AFTERMARKET MARK V CRANK HANDLES**

	50644013	Folding Vertical Handle, Aftermarket Mark V (5.13")	5.13	2.50	14.00
	50644015	Folding Vertical Handle, Aftermarket Mark V (9.13")	9.13	3.00	14.00
	50644017	Folding Vertical Handle, Aftermarket Mark V (11.63")	11.63	3.20	14.00
	50644019	Folding Vertical Handle, Aftermarket Mark V (14.50")	14.50	3.50	14.00
	50644021	Folding Vertical Handle, Aftermarket Mark V (17.00")	17.00	3.70	14.00
	50644023	Folding Vertical Handle, Aftermarket Mark V (21.00")	21.00	4.10	14.00

**HORIZONTAL FOLDING AFTERMARKET MARK V CRANK HANDLES**

	50644014	Folding Horizontal Handle, Aftermarket Mark V (6.50")	6.50	2.70	14.00
	50644016	Folding Horizontal Handle, Aftermarket Mark V (9.13")	9.13	3.00	14.00
	50644018	Folding Horizontal Handle, Aftermarket Mark V (11.63")	11.63	3.20	14.00
	50644020	Folding Horizontal Handle, Aftermarket Mark V (14.50")	14.50	3.50	14.00
	50644022	Folding Horizontal Handle, Aftermarket Mark V (17.00")	17.00	3.70	14.00



Product	Part Number	Description	Length (in.)	Weight (lbs.)	Throw (in.)
---------	-------------	-------------	--------------	---------------	-------------


**EASY BAR HANDLES**

	50644036	Easy Bar Handle (7.64" x 13.25")	7.64	4.00	13.25
	50644037	Easy Bar Adjustable Adapter (11.36")	11.36	2.50	-


**VERTICAL FOLDING FRUEHAUF-STYLE CRANK HANDLES**

	LG2130-01	Folding Vertical Handle, Fruehauf-Style (6.75")	6.75	2.70	14.00
	LG2130-07	Folding Vertical Handle, Fruehauf-Style (8.63")	8.63	2.90	14.00
	LG2130-03	Folding Vertical Handle, Fruehauf-Style (12.38")	12.38	3.20	14.00
	LG2130-05	Folding Vertical Handle, Fruehauf-Style (18.38")	18.38	3.70	14.00
	LG2130-09	Folding Vertical Handle, Fruehauf-Style (16.13")	16.13	3.50	14.00
	LG2130-11	Folding Vertical Handle, Fruehauf-Style (21.63")	21.63	4.00	14.00

**HORIZONTAL FOLDING FRUEHAUF-STYLE CRANK HANDLES**

	LG2130-02	Folding Horizontal Handle, Fruehauf-Style (6.75")	6.75	2.70	14.00
	LG2130-08	Folding Horizontal Handle, Fruehauf-Style (8.63")	8.63	2.90	14.00
	LG2130-04	Folding Horizontal Handle, Fruehauf-Style (12.38")	12.38	3.20	14.00
	LG2130-06	Folding Horizontal Handle, Fruehauf-Style (18.38")	18.38	3.70	14.00

**VERTICAL FOLDING SPEED CRANK**

	112021	Folding Vertical Handle, Speed Crank (6.70")	6.70	3.90	14.00
	112023	Folding Vertical Handle, Speed Crank (11.70")	11.70	4.90	14.00
	112025	Folding Vertical Handle, Speed Crank (17.70")	17.70	6.10	14.00
	112030	Folding Vertical Handle, Speed Crank, 7/8" Shaft (5.70")	5.70	3.70	12.00

Product	Part Number	Description	Length (in.)	Weight (lbs.)	Throw (in.)
---------	-------------	-------------	--------------	---------------	-------------

**HORIZONTAL FOLDING SPEED CRANK**



112001	Folding Horizontal Handle, Speed Crank, (6.70")	6.70	3.90	14.00
112003	Folding Horizontal Handle, Speed Crank, (11.70")	11.70	4.90	14.00
112005	Folding Horizontal Handle, Speed Crank, (17.70")	17.70	6.10	14.00

**SPEED CRANK REPLACEMENT PARTS**



112015	Spring			
112014	Plunger - for 1" Shaft			
112034	Plunger - for 7/8" Shaft			
202403	Washer - .38"			
203514	Hex Lock Nut - .38-16			
201208	Hex Head Screw - .38-16 x 2.50" Lg			

**REMOVABLE-STYLE CRANK HANDLE**



XB-GP-052-43

50644031	Removable-Style Handle, w/ Pin (6.75")	6.75	2.80	14.00
50644032	Removable-Style Handle, w/ Pin (12.31")	12.31	3.30	14.00
50644033	Removable-Style Handle, w/ Pin (18.31")	18.31	3.80	14.00


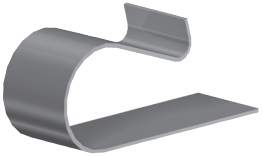

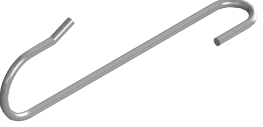
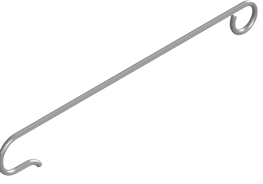
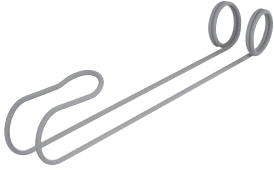

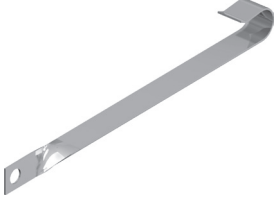
**DOLLY JACK CRANK HANDLES**



50644034	Dolly Jack Handle (5.00")	5.00	2.50	6.25
----------	---------------------------	------	------	------


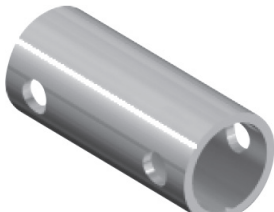
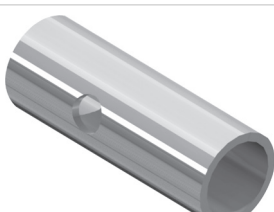


50644035	Dolly Jack Handle (5.63")	5.63	2.20	7.75
----------	---------------------------	------	------	------


Product	Part Number	Description	Length (in.)	Weight (lbs.)	Throw (in.)
<b>STABILIZER JACK CRANK HANDLE</b>					
	752204	Stabilizer Jack Handle (11.00" Throw)		3.00	11.00
<b>CRANK HANGERS</b>					
	50618000	Crank Hanger (1.50" Inside Diameter)		0.20	
	LG0085-P	Crank Hanger, Painted (1.50" Inside Diameter)		0.20	
	50618001	Crank Hanger (1.26" x .68" Inside Diameter)		0.10	
	50618002	Crank Hanger (1.12" x .80" Inside Diameter)		0.20	
	730122	Crank Hanger (1.13" x 1.13" inside Diameter)		0.10	
	750812	Crank Hanger (1.50" x 1.00")		0.30	
	XA-60024	Crank Hanger (1.26" x 14.20")	14.20	0.50	

Product	Part Number	Description	Length (in.)	Weight (lbs.)	Throw (in.)
---------	-------------	-------------	--------------	---------------	-------------


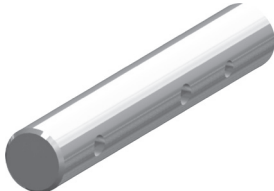
**CRANKSHAFT ADAPTERS**


	LG0172	Crankshaft Adapters (.76" x 2.75")	2.75	0.30	
	XA-V-630-2	Crankshaft Adapters (1.07" x 3.06")	3.06	0.40	
	XB-CP4651-16	Crankshaft Adapters (.81" x 2.75")	2.75	0.20	

**CRANKSHAFT BRACKET**

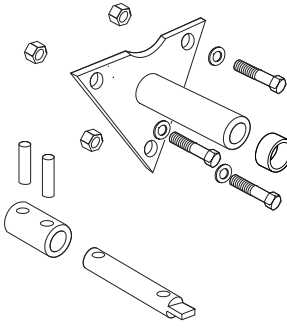
	XA-V-971	Crankshaft Bracket (1.06" Diameter)		0.90	
---	----------	-------------------------------------	--	------	--

**CRANKSHAFT EXTENSIONS**


	750212	Crankshaft Extension (1.00" x 14.62")	14.62	3.20	
	751407	Crankshaft Extension (1.00" x 6.19")	6.19	1.29	

Product	Part Number	Description	Length (in.)	Weight (lbs.)	Throw (in.)
	LG2023	Crankshaft Extension, 48000 (.79" x 44.25")	44.25	3.70	

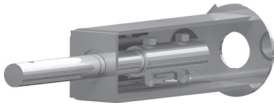
### MARK V EXTENSION BRACKET KIT

	RK-V-07602-1	Mark V Extension Bracket Kit (15.56")			
	RK-V-07602-2	Mark V Extension Bracket Kit (9.06")			
	XA-V-1916	Extension Shaft (15.44")			
	XA-V-1916-1	Extension Shaft (8.94")			
	XA-V-07601-1	Extension Bracket, w/ Bushing XB-V-851 (15.56")			
	XA-V-07601-2	Extension Bracket, w/ Bushing XB-V-851 (9.06")			
	XB-21-S-375-1500	Roll Pin .38" dia. x 1.50" Lg.			
	XA-V-630-2	Crank Shaft Coupler			
	XB-07618	HHCS .25"-28 x 3" Lg.			
	XB-04523	Washer			
	XB-3103	Lock Nut .25"-28			
	XL-LG303	Installation Instructions (Not Shown)			
XB-V-851	Bushing				

### SHIFTSHAFT EXTENSION AND CROSS DRIVE SHAFT

	LG2462	Shiftshaft Extension (8.88")	8.88	1.84	
	LG2462-01	Shiftshaft Extension (7.38")	7.38	1.50	
	LG2462-02	Shiftshaft Extension (13.13")	13.13	2.80	
	LG2462-03	Shiftshaft Extension (6.38")	6.38	1.30	

### HORN EXTENSION

	LG0100	Horn Extension	-	10.20	
---	--------	----------------	---	-------	--

### CROSS DRIVE SHAFT

	LG0094	Cross Drive Shaft (68.00")	68.00	9.30	
---	--------	----------------------------	-------	------	--


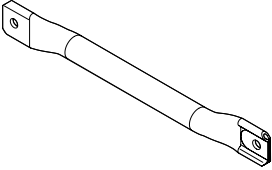
## HOLLAND – BRACES

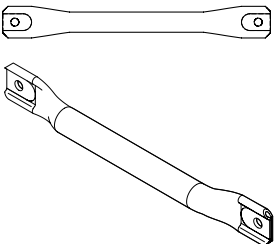
Table 5-27: Holland Braces

Product	Part Number	Description	Size (in.)	Weight
	730005	Brace (5.30" x 5.30" x 2.50 Radius)	5.30 x 5.30	1.67
	730051	Brace (9.75" x 2.00")	9.75 x 2.00	2.12
	730157	Brace (3.25" x 2.00")	3.25 x 2.00	1.42
	730624	Brace (9.25" x 2.00")	9.25 x 2.00	1.81
	LG0266	Brace (4.31" x 2.00")	4.31 x 2.00	1.48

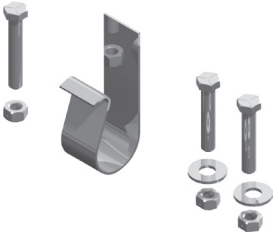
Product	Part Number	Description	Size (in.)	Weight
	LG2536	Brace (5.00" x 2.00")	5.00 x 2.00	1.02
	LG2334	Brace (5.50" x 2.50")	5.50 x 2.50	1.53
	LG1578	Brace (7.88" x 2.00")	7.88 x 2.00	2.15
	XA-V-1938	Brace (3.37" x 2.00" x 1.12 Radius)	3.37 x 2.00	1.47

### STRUT BRACES

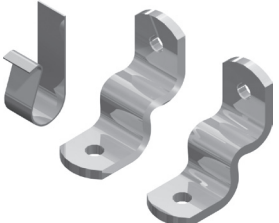
	LG0524-01	Strut Brace (23.00" x 1.90")	23.00 x 1.90	5.80
	LG0525-01	Strut Brace (17.62" x 1.90")	17.62 x 1.90	4.50
	*LG0091-#	Strut Brace, 1.66" O.D. (2" + CL TO CL Hole)	Varies	

Product	Part Number	Description	Size (in.)	Weight
	*LG0646-#	Strut Brace, 1.66" O.D. (2" + CL TO CL Hole)	Varies	

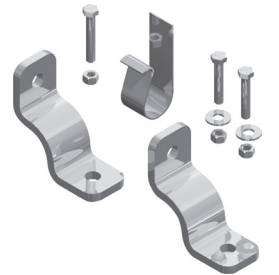
**BRACE INSTALLATION KITS**

	RK-V-06388	Brace Installation Kit, w/ Hardware and Crank Hanger		.55
	XB-C-38-C-214	Hex Head Cap Screw (.38-16 x 2.25")		
	XB-V-444-4	Hex Head Cap Screw (.38-16 x 2.00")		
	XB-1108	Washer (.38")		
	XB-338	Lock Nut (.38-16)		
	XB-LG0085	Crank Hanger		

**BRACE INSTALLATION KITS - BINKLEY & WESTRAN**

	LG2789	Installation Kit - Binkley & Westran		3.15
	XB-LG0085	Crank Hanger - Binkley & Westran		
	LG0266	Strut Bracket - Binkley & Westran		

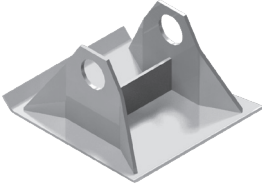
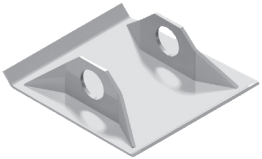
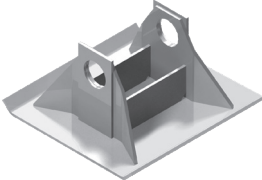
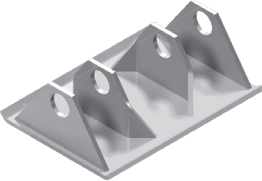
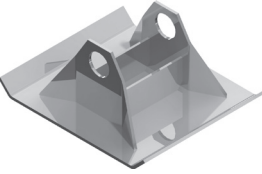
**BRACE INSTALLATION KITS - MARK V**

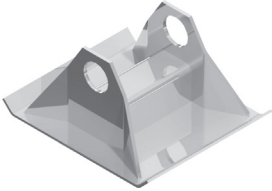
	LG2790	Installation Kit - Mark V		3.50
	RK-V-06388	Componentry Kit - Mark V		
	XA-V-1938	Brace - Mark V		




## HOLLAND – SHOES

Table 5-28: Holland Shoes

Product	Part Number	Description	Length (in.)	Width (in.)	Hole Center Height (in.)	Weight (lbs.)
<b>STANDARD SAND SHOES</b>						
	50616006	Sand Shoe (11.50" x 10.00")	11.50	10.00	3.82	12.00
	50616001	Sand Shoe (11.81" x 10.00")	11.81	10.00	4.50	10.90
	50616000	Sand Shoe (11.81" x 12.00")	11.81	12.00	4.50	14.90
	50616002	Sand Shoe (17.00" x 12.00")	17.00	12.00	5.00	27.40
	50616003	Sand Shoe (23.00" x 12.00")	23.00	12.00	5.00	35.70
	50616004	Sand Shoe (19.00" x 14.00")	19.00	14.00	5.00	21.50
<b>LOW PROFILE AND WEIGHT SAVER SAND SHOES</b>						
	50616008	Low Profile Sand Shoe (11.81" x 10.00")	11.81	10.00	2.00	8.10
	50616007	Low Profile Sand Shoe (11.81" x 12.00")	11.81	12.00	2.00	12.10
	50616009	Low Profile Sand Shoe (14.25" x 12.00")	14.25	12.00	2.00	14.30
<b>HEAVY DUTY SAND SHOES</b>						
	50616012	Heavy Duty Sand Shoe (11.81" x 10.00")	11.81	10.00	4.50	17.50
	50616013	Heavy Duty Sand Shoe (14.50" x 10.00")	14.50	10.00	4.50	19.70
	50616014	Heavy Duty Sand Shoe (18.75" x 12.00")	18.75	12.00	4.50	26.90
<b>EXTREME DUTY SAND SHOE</b>						
	50616015	Extreme Duty Sand Shoe (11.50" x 16.00")	11.50	16.00	3.87	22.00
<b>ADDITIONAL SAND SHOES</b>						
	LG0065-03	Sand Shoe (14.25" x 12.00")	14.25	12.00	4.5	18.10

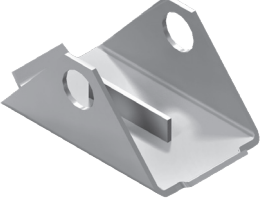
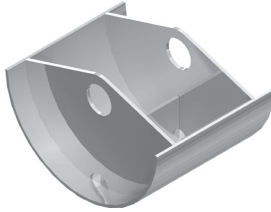
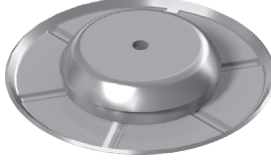
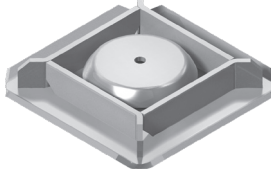

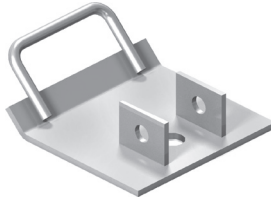
Product	Part Number	Description	Length (in.)	Width (in.)	Hole Center Height (in.)	Weight (lbs.)
	LG0055-01	Sand Shoe (11.81" x 10.00")	11.81	10.00	4.50	12.60
	XA-S03010	Sand Shoe (17.00" x 12.00")	17.00	12.00	5.00	29.70
	LG0050-01	Sand Shoe (11.81" x 12.00")	11.81	12.00	4.50	14.90
	LG0056-02	Sand Shoe (11.81" x 10.00")	11.81	10.00	2.00	12.16
	XA-04681	Sand Shoe (11.50" x 10.00")	11.50	10.00	2.06	10.10
	50616016	Sand Shoe, Shoe/Wheel Combination (11.50" x 16.00")	11.50	16.00	3.87	22.00

**SAND SHOE KITS**

	LG0078-01	Sand Shoe Kit, w/ Axle and Hardware (11.81" x 10.00")	11.81	10.00	4.50	14.30
	LG0055	Sand Shoe (11.81" x 10.00")	11.81	10.00	4.50	
	LG0070-02	Sand Shoe Axle				
	LG0074	Sand Shoe Kit, w/ Axle and Hardware (11.81" x 12.00")	11.81	12.00	2.00	15.50
	LG0079	Sand Shoe Kit, w/ Axle and Hardware (11.81" x 10.00")	11.81	10.00	2.00	11.50
	LG0051	Sand Shoe (11.81" x 12.00")	11.81	12.00	2.00	
	LG0056	Sand Shoe (11.81" x 10.00")	11.81	10.00	2.00	

Product	Part Number	Description	Length (in.)	Width (in.)	Hole Center Height (in.)	Weight (lbs.)
	XB-HHC-050-69	Hex Bolt HD .63"-11 x 6" GR2				
	XB-SLN-012-04	Self Locking Nut .63"-11				

### SPECIALTY SHOES

	50616017	Center Shoe for Shoe/Wheel Combination (12.00" x 6.56")	12.00	6.56	3.50	8.90
	LG0818	Rocker Foot (6.11" Radius x 9.44")	6.11R	9.44	2.00 Dia.	19.10
	50616018	Self Leveling Shoe, Round (12.00" Diameter)	12.00		2.38	13.70
	50616019	Self Leveling Shoe, Square (14.00" x 14.00")	14.00	14.00	2.38	35.20
	50616020	Standard Dolly Jack Shoe (5.82" x 6.00")	5.82	6.00		2.40
	50616021	Removable Dolly Jack Shoe (5.82" x 6.00")	5.82	6.00		2.80

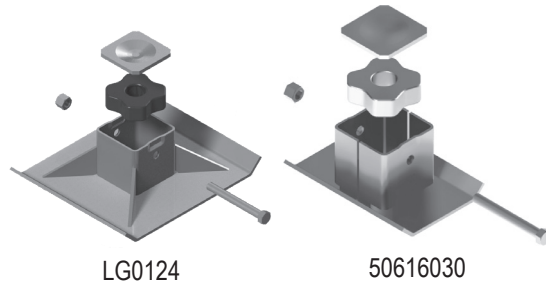
# HOLLAND – REMOVABLE CUSHION FOOT ASSEMBLIES

Table 5-29: Holland Removable Cushion Foot Assemblies

Part Number	Description	Length (in.)	Width (in.)	Hole Center	Weight (lbs.)	Comments
716058, 716059		LG0048-01, RK-V-024		LG0048-10		
716058	Removable Cushion Foot Assembly (11.81" x 10.00")	11.81	10.00	-	15.70	
716059	Removable Cushion Foot Assembly, No End Plate (11.81" x 10.00")	11.81	10.00	-	12.20	
730640	Removable Cushion Foot	11.81	10.00	-		Item #1
730638	Interchangeable Strap					Item #2
728003	Removable Cushion Foot Pad					Item #3
XB-HHC-050-69	Hex Cap Screw .38-16 x .75" GR5					Item #4
XB-SLN-012-04	Self Locking Nut .38-16 Grade B					Item #5
730637	Removable Cushion End Plate					Item #6
LG0048-01	Removable Cushion Foot Assembly, 4.06 Square (11.38" x 11.38")	11.38	11.38	2.86	9.70	Models: 51000, 52000 (Complete Assembly)
RK-V-024	Removable Cushion Foot Assembly, 4.56 Square (11.38" x 11.38")	11.38	11.38	2.86	11.60	Model: Mark V (Complete Assembly)
LG0732-01	Removable Cushion Foot Shoe, 4.06 Square (11.38" x 11.38")	11.38	11.38	2.86		Models: 51000, 52000
XA-V-796-RCF	Removable Cushion Foot Shoe, 4.56 Square (11.38" x 11.38")	11.38	11.38	2.86		Model: Mark V
XB-LG0726	Removable Cushion Foot Cushion, 4.06 Square					Models: 51000, 52000
XB-LG0713	Removable Cushion Foot Cushion, 4.56 Square					Model: Mark V
LG0725	Removable Cushion Foot Plate, 4.06 Square					Models: 51000, 52000
LG1829	Removable Cushion Foot Plate, 4.56 Square					Model: Mark V
XB-HHB-050-70	Removable Cushion Foot Axle, 4.06 Square					Models: 51000, 52000
XB-HHC-050-114	Removable Cushion Foot Axle, 4.56 Square					Model: Mark V
LG0048-10	Removable Cushion Foot Assembly, Heavy Duty, 4.06 Square (11.49" x 11.49")	11.49	11.49	2.86	11.20	Models: 51000, 52000 (Complete Assembly)
LG0732-02	Removable Cushion Foot Shoe, Heavy Duty, 4.06 Square (11.49" x 11.49")	11.49	11.49	2.86		Models: 51000, 52000
XB-LG0762	Removable Cushion Foot Cushion, Heavy Duty, 4.06 Square					Models: 51000, 52000

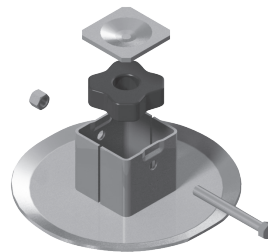
Part Number	Description	Length (in.)	Width (in.)	Hole Center	Weight (lbs.)	Comments
-------------	-------------	--------------	-------------	-------------	---------------	----------

### REMOVABLE CUSHION FOOT – SAND SHOE



LG0124	Removable Cushion Foot Assembly, 4.06 Square (14.25" x 12.00")	14.25	12.00	2.94	16.01	Models: 51000, 52000 (Complete Assembly)
50616030	Removable Cushion Foot Assembly, 4.06 Square (7.00" x 10.00")	7.00	10.00	2.94	9.10	Model: FG4
LG0123	Removable Cushion Foot Shoe, 4.06 Square (14.25" x 12.00")	14.25	12.00	2.94		Models: 51000, 52000
LG2727	Removable Cushion Foot Shoe, 4.06 Square (7.00" x 10.00")	7.00	10.00	2.94		Model: FG4
XB-LG0726	Removable Cushion Foot Cushion, 4.06 Square					Models: 51000, 52000
LG0725	Removable Cushion Foot Plate, 4.06 Square					Models: 51000, 52000
XB-HHB-050-70	Removable Cushion Foot Axle, 4.06 Square					Models: 51000, 52000
XB-SP0012-10	Removable Cushion Foot Axle Nut					Models: 51000, 52000

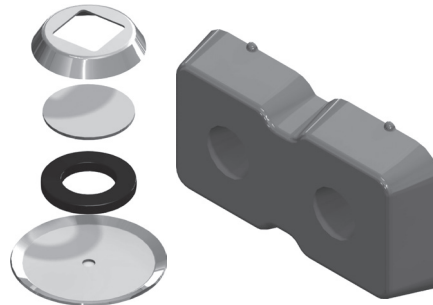
### REMOVABLE CUSHION FOOT – ROUND



LG0068	Removable Cushion Round Foot Assembly, 4.56 Square (9.81" Diameter)	9.81		2.94	7.80	Model: 50000
LG0045-01	Removable Cushion Round Foot Assembly, 4.06 Square (9.81" Diameter)	9.81		2.94	7.40	Models: 51000, 52000
LG0043-01	Removable Cushion Round Foot Assembly, 4.06 Square (11.88" Diameter)	11.88		2.94	9.40	Models: 51000, 52000
LG0044-01	Removable Cushion Round Foot Assembly, 4.06 Square (13.38" Diameter)	13.38		2.94	13.20	Models: 51000, 52000
LG0711	Removable Cushion Round Foot Shoe, 4.56 Square (9.81" Diameter)	9.81		2.94		Model: 50000
LG0718-01	Removable Cushion Round Foot Shoe, 4.06 Square (9.81" Diameter)	9.81		2.94		Models: 51000, 52000
LG0740-01	Removable Cushion Round Foot Shoe, 4.06 Square (11.88" Diameter)	11.88		2.94		Models: 51000, 52000
LG0730-01	Removable Cushion Round Foot Shoe, 4.06 Square (13.38" Diameter)	13.38		2.94		Models: 51000, 52000
XB-LG0713	Removable Cushion Foot Cushion, 4.56 Square					Model: 50000
XB-LG0726	Removable Cushion Foot Cushion, 4.06 Square					Models: 51000, 52000
LG0714	Removable Cushion Foot Plate, 4.56 Square					Model: 50000
LG0725	Removable Cushion Foot Plate, 4.06 Square					Models: 51000, 52000

Part Number	Description	Length (in.)	Width (in.)	Hole Center	Weight (lbs.)	Comments
XB-HHB-050-58	Removable Cushion Foot Axle					Models: 51000, 52000
XB-HHB-050-70	Removable Cushion Foot Axle					Models: 51000, 52000
XB-SP0012-10	Removable Cushion Foot Axle Nut					Models: 50000, 51000, 52000

**REMOVABLE CUSHION FOOT – REPLACEMENT PARTS**



XB-04676

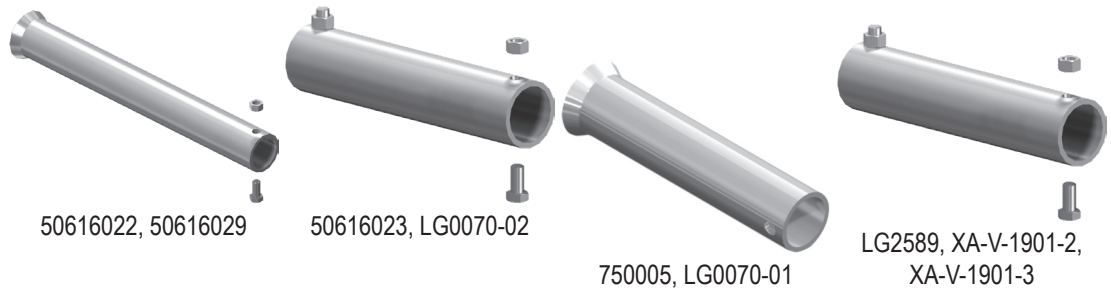
XB-LG0472	Rubber Cushion					10" or 12"
LG0475	Cushion Cup, 4.63" Square					
LG0475-01	Cushion Cup, 4.13" Square					
LG0475-03	Cushion Cup, 3.63" Square					
LG0573	Cushion Pad, 10" Diameter					
LG0474	Cushion Plate					10", 12", or 13-1/2"
LG0527	Cushion Pad, 12" Diameter					
LG0473	Cushion Pad, 13-1/2" Diameter					
XB-04676	Cushion Pad (3.00" x 5.56")	5.56	3.00			

**HOLLAND – AXLES**

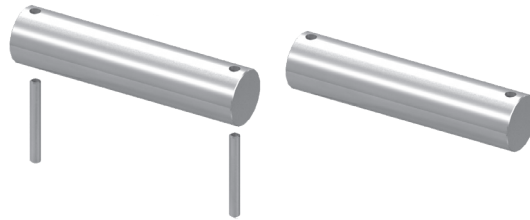
Table 5-30: Holland Axles

Part Number	Description	Length	Weight
50616022, 50616029	Hollow Axle, w/ Hardware (15.12")	15.12	6.10
50616023	Hollow Axle, w/ Hardware (8.75")	8.75	3.60
50616023	Hollow Axle, w/ Hardware (8.50")	8.50	3.40

**HOLLOW AXLES**

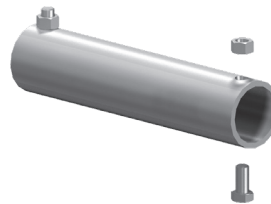


Part Number	Description	Length	Weight
XB-HHC-050-69	Hex Cap Screw .38-16 x .75" GR5	-	-
XB-SLN-012-04	Self Locking Nut .38-16	-	-
LG0070-02	Hollow Axle (8.50")	8.50	-
750005	Hollow Axle (8.69")	8.69	3.52
LG0070-01	Hollow Axle (15.12")	15.12	6.14
LG2589	Hollow Axle (8.50")	8.50	3.40
XA-V-1901-2	Hollow Axle (15.00")	15.00	4.53
XA-V-1901-3	Hollow Axle (16.75")	16.75	5.10



## SOLID AXLES

50616024	Solid Axle, w/ Spring Pins (8.25")	8.25	6.80
50616025	Solid Axle, w/ Spring Pins (15.00")	15.00	12.40
50616026	Solid Axle, w/ Spring Pins (16.75")	16.75	13.90
XB-21-S-375-3000	Spring Pin		
XA-V-1903-1	Solid Axle (8.25" x 1.94")	8.25	6.80
XA-V-1903-2	Solid Axle (15.00" x 1.94")	15.00	12.44
XA-V-1903-3	Solid Axle (16.75" x 1.94")	16.75	13.90
LG0204-01	Solid Axle (14.88" x 1.88")	14.88	11.50
LG0204-04	Solid Axle (8.25" x 1.88")	8.25	6.30
LG0204-05	Solid Axle (16.00" x 1.88")	16.00	12.31



## AXLE HOUSING

50616027	Axle Housing (5.00" x 5.00")	5.00	3.10
----------	------------------------------	------	------

## HOLLAND – WHEELS & CASTERS


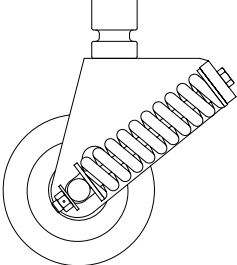
Table 5-31: Holland Wheels & Casters

Product	Part Number	Description	Diameter	Weight
<b>STANDARD WHEELS</b>				
	50616028	Wheel (9.00" x 2.01" x 3.87")	9.00	9.20
	XB-WHL-026-11	Wheel (5.00" x .76" x 2.25")	5.00	4.40
<b>HEAVY DUTY WHEEL/SHOE COMBINATION</b>				
	LG0063-10	Heavy Duty Wheel/Shoe Assembly (9.00" x 16.00")	9.00	36.50
	LG2066	Shoe Center Assembly (7.00")		
	XB-V-747-HD-1	Wheel (9.00")	9.00	
	LG0204-05	Axle (16.00")		
	XB-HHC-050-65	Hex Head Cap Screw, .38-16 x 2.5" GR5		
	XB-SLN-012-04	Hex Nut, Self Locking, .38-16 Grade B		
	LG2427	Washer		



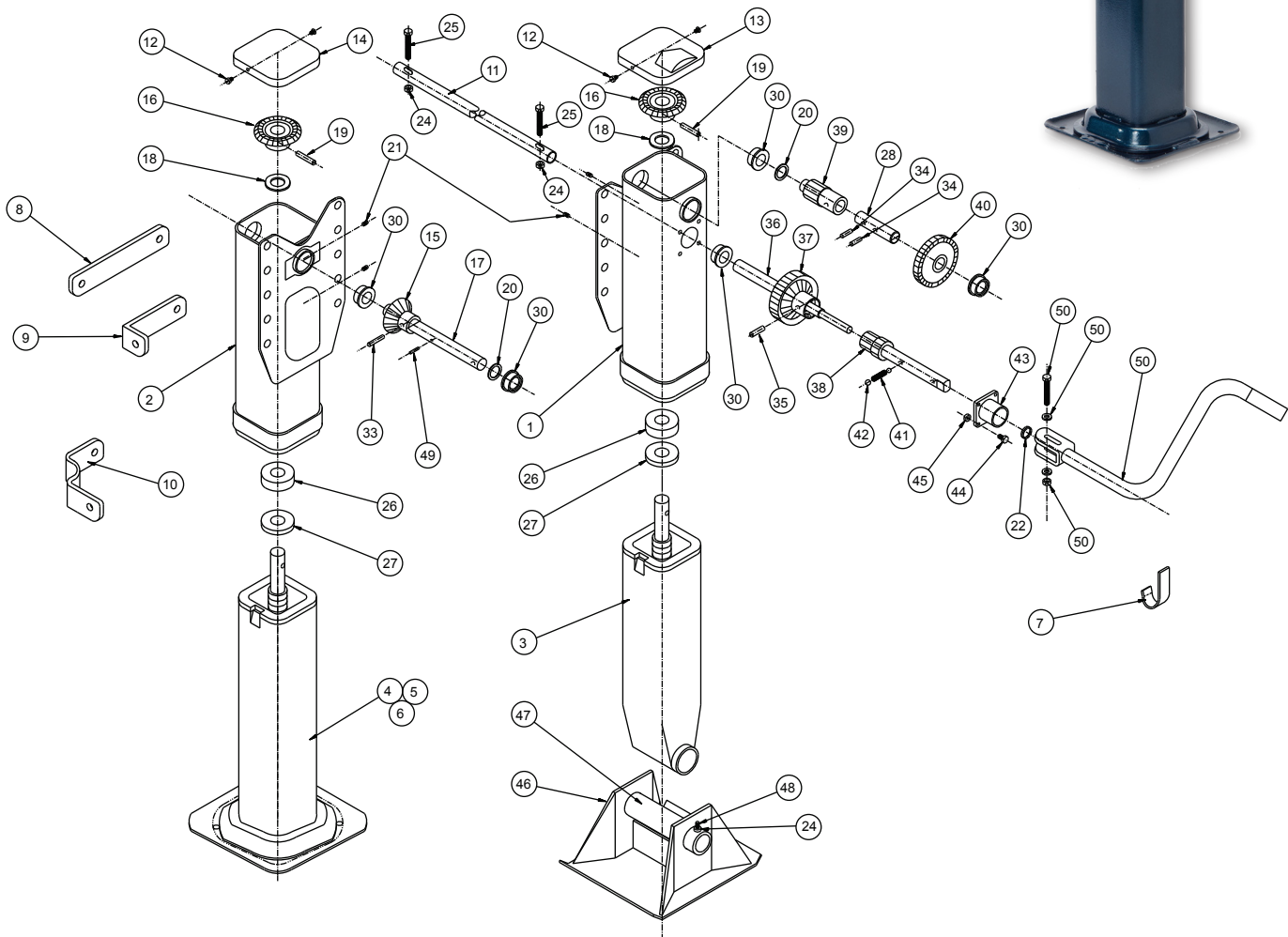
Product	Part Number	Description	Diameter	Weight
---------	-------------	-------------	----------	--------

### SWIVEL CASTERS

	XB-03857	Swivel Caster, Iron Wheel (6.00")	6.00	9.00
	XB-03695	Swivel Caster, Rubber Wheel (6.00")	6.00	8.17
XB-03857, XB-03695				
	XA-V-350	Swivel Caster Assembly, Cast Iron Wheel (5.00")	5.00	13.43
	XA-V-350-R	Swivel Caster Assembly, Plastic Wheel (5.00")	5.00	4.38

# JOST LANDING GEAR\*\*

## JOST - A400 & A401



\*\* Information provided by Jost International Corp.

Table 5-32: Jost – A400 &amp; A401, Outer/Inner Leg Assemblies

<i>Part Number</i>	<i>Item No.</i>	<i>Description</i>	<i>Travel</i>
<b>OUTER HOUSING</b>			
D10201.1	1	Outer Housing, 2 Speed	14"
D10201.2	1	Outer Housing, 2 Speed	17"
D10201.3	1	Outer Housing, 2 Speed	19"
D10116.1	2	Outer Housing 1 Speed	14"
D10116.2	2	Outer Housing 1 Speed	17"
D10116.3	2	Outer Housing 1 Speed	19"
<b>INNER LEG ASSEMBLIES</b>			
C10140.1	3	Inner Leg Assembly, Standard	14"
C10140.2	3	Inner Leg Assembly, Standard	17"
C10140.3	3	Inner Leg Assembly, Standard	19"
C10146.1	4	Inner Leg Assembly, 10" Cushion	14"
C10146.2	4	Inner Leg Assembly, 10" Cushion	17"
C10146.3	4	Inner Leg Assembly, 10" Cushion	19"
C10254.1	5	Inner Leg Assembly, 12" Cushion	14"
C10254.2	5	Inner Leg Assembly, 12" Cushion	17"
C10254.3	5	Inner Leg Assembly, 12" Cushion	19"
C10580.1	6	Inner Leg Assembly, G3	14"
C10580.2	6	Inner Leg Assembly, G3	17"
C10580.3	6	Inner Leg Assembly, G3	19"

## JOST – A400 & A401, COMPONENTS

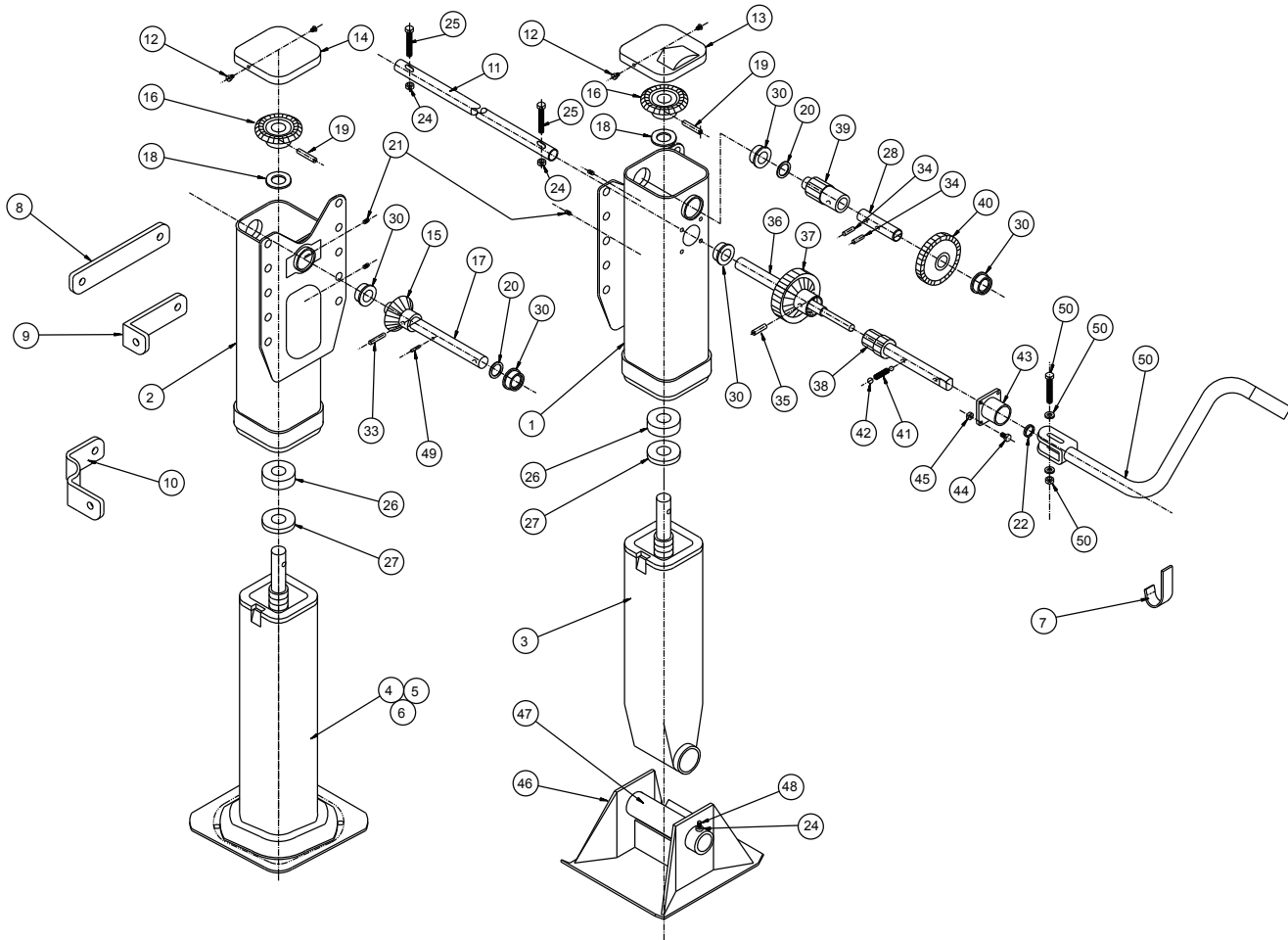


Table 5-33: Jost – A400 & A401, Components

Part Number	Item No.	Description
B10261	7	Crank Hanger
C10262	8	Brace Lug, Flat
C10263	9	Brace Lug, 90°
C10108	10	Brace Lug, W Standard
B10066	11	Intermediate Cross Shaft
A10059.1	12	Cover Screw
C10217	13	Cover, 2 Speed
C10259	14	Cover, 1 Speed
C10177	15	Pinion Gear
C10155	16	Bevel Gear
B10130	17	Pinion Shaft, 1 Speed
A10102	18	Thrust Washer
A10052.3	19	Grooved Pin
A10218	20	Spacer Washer

<i>Part Number</i>	<i>Item No.</i>	<i>Description</i>
A10040	21	Grease Fitting
A10283	22	Grease Seal
C10209	23	Strut Brace (Not Shown)
A10038.7	24	Self Locking Nut
A11489	25	Cross Shaft Bolt, 3/8" x 2" Gr5
A10033	26	Thrust Bearing
A10101	27	Collar
A10212	28	Output Shaft
A10255	30	Bushing
–	31	Detent Bushing (included w/ Shift Housing #43)
A10054.3	33	Roll Pin 3/8" x 1-1/2"
A10260.1	34	Spiral Pin
A10054.7	35	Roll Pin 3/8" x 1-3/4"
B10236	36	Output Cluster Shaft
C10234	37	Output Cluster Gear
C10233	38	Input Gear Shaft
C10078	39	Output Spur Gear
C10085	40	Input Spur Gear
A10049	41	Detent Spring
A10048	42	Detent Ball
B10229	43	Shift Housing
A10230	44	Shift Housing Bolt
A10038.6	45	Self Locking Nut
C10035	46	Shoe 10" x 10" x 4-1/2" Standard
C10135	46	Shoe 10" x 10" x 2"
C10256	46	Shoe 10" x 12" x 4-1/2"
C10257	46	Shoe 10" x 12" x 2"
B10036	47	Shoe Axle
A10037.3	48	Hex Head Bolt
A10054.6	49	Roll Pin 1/4" x 1-1/4"
C10592.2	50	Standard Crank w/ Hardware

# KING PINS

## HOLLAND – 2" & 3.5" SAE KING PIN

Table 5-34: 2" and 3.5" SAE King Pins

Part Number	Diameter	Steel Alloy	Brinell Hardness	Upper Coupler Thickness
-------------	----------	-------------	------------------	-------------------------

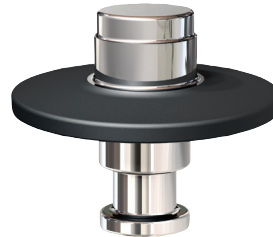
### 2" CRUCIFORM



KP-AAR-3

KPAAR5C	2"	4320H or 4718H	380-420	.25"
KPAAR5E	2"	4320H or 4718H	380-420	.31"
KPT3C	2"	8630H	302-363	.25"
KPT4C	2"	8630H	302-363	.25"
KPT4E	2"	8630H	302-363	.31"
KPAAR4	2"	4320H or 4718H	380-420	.38"
KPAAR4C	2"	4320H or 4718H	380-420	.25"

### 2" DOUBLE SPOOL



KP-T-880

KPT880C	2"	8630H	302-363	.25"
KPT880E	2"	8630H	302-363	.31"
KPT880	2"	8630H	302-363	.38"
KPAAR880	2"	4320H or 4718H	380-420	.38"

### 2" MUSHROOM



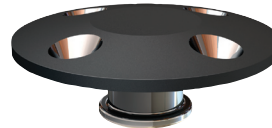
KP-T-809

KP-T809CF	2"	8630H	302-363	.25"
KP-T809EF	2"	8630H	302-363	.31"
KP-T809F	2"	8630H	302-363	.38"
KP-T809BF	2"	8630H	302-363	.5"

Information provided by SAF-Holland Group.

Part Number	Diameter	Steel Alloy	Brinell Hardness	Upper Coupler Thickness
KPT809AF	2"	8630H	302-363	.63"
KPT809GF	2"	8630H	302-363	.75"
KPT809C	2"	8630H	302-363	.25"
KPT809E	2"	8630H	302-363	.31"
KPT809	2"	8630H	302-363	.38"
KP-T809B	2"	8630H	302-363	.50"
KPT809A	2"	8630H	302-363	.63"

### 3.5" MUSHROOM



KP-T-847

KPT847B	3.5"	8630H	302-363	0.5"
KPT847F	3.5"	8630H	302-363	.38"
KPT847BF	3.5"	8630H	302-363	.50"

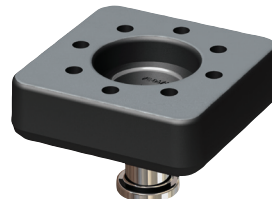
### 2" REPLACEABLE SERIES



KP-0880

KP0880	2"	8630H or 4130H	302-363	.25"
KP0881	2"	8630H or 4130H	302-363	.31"
KP0882	2"	8630H or 4130H	302-363	.38"
KP0883	2"	8630H or 4130H	302-363	.50"

### 3.5" REPLACEABLE SERIES



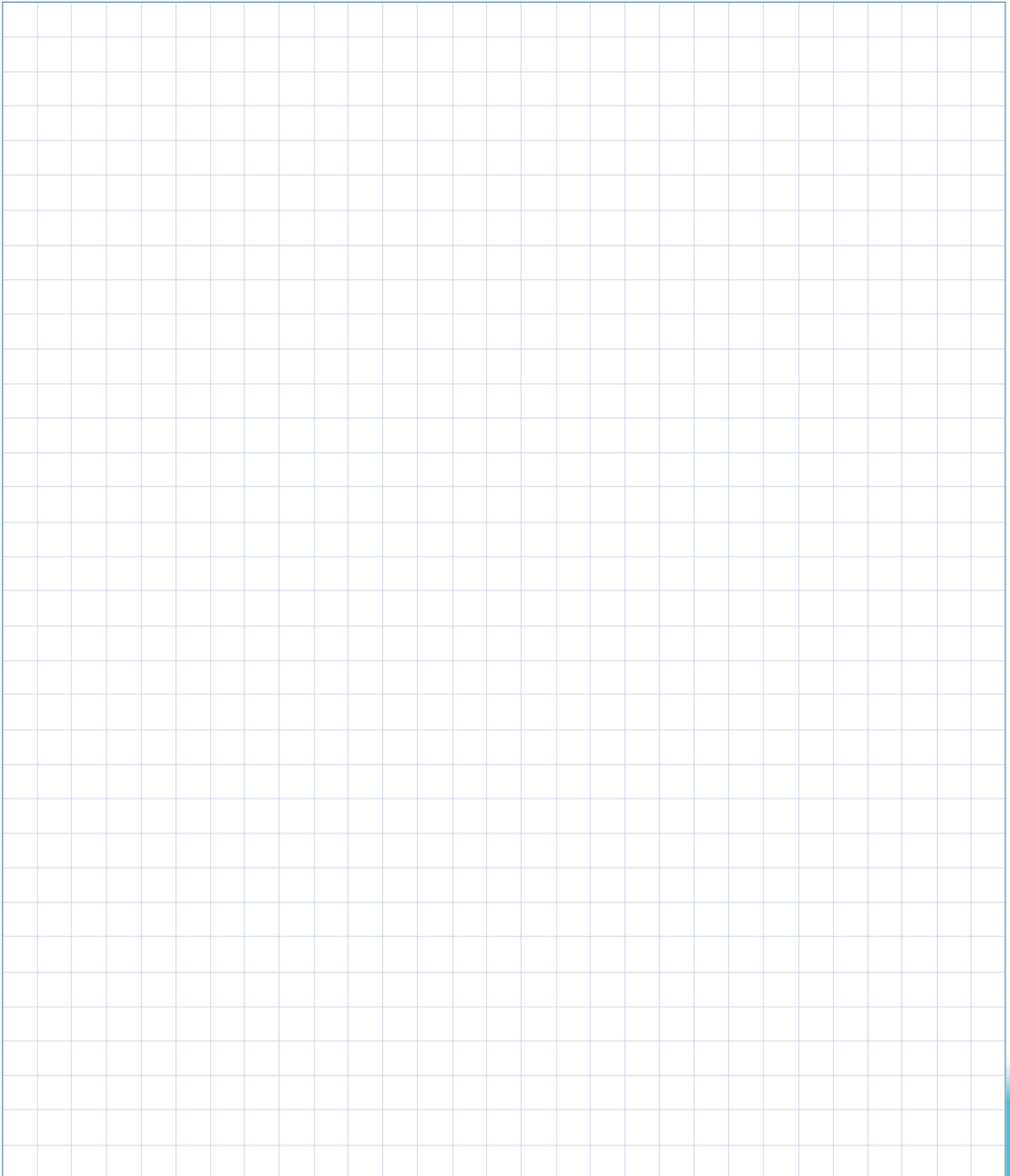
KP-0880

KP0884	3.5"	8630H or 4130H	302-363	.38"
KP0885	3.5"	8630H or 4130H	302-363	.50"

Information provided by SAF-Holland Group.









*For information, updates, or corrections,  
please contact us at [support@trpparts.com](mailto:support@trpparts.com).*

*No part of this marketing material may be  
reproduced in any manner without written  
permission from TRP North America.*

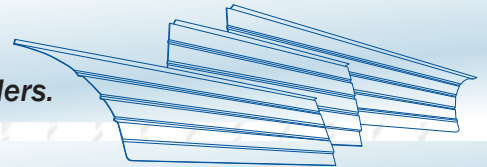
**TRP North America**

750 Houser Way N.  
Renton, WA 98057

[www.trpparts.com](http://www.trpparts.com)



Parts for all brands of trailers.



6

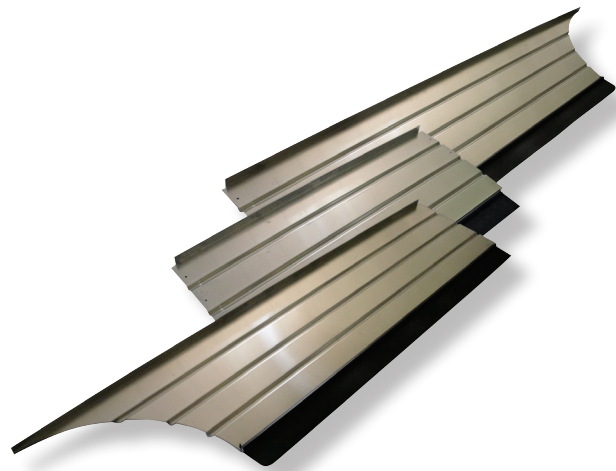
TRAILER PARTS<sup>®</sup>

# AERODYNAMICS

*Proven, reliable and  
always innovative.*

TRP<sup>®</sup> offers reliable aftermarket products that are designed and tested to exceed customers' expectations regardless of the trailer make, model or age.

## AERODYNAMICS Skirts & Panels





**TRAILER PARTS**

**Tested. Reliable. Guaranteed.**

### **Aerodynamics**

**Choosing the right replacement part or service for your vehicle—whether you own one, or a fleet—is one of the most important decisions you can make for your business. And, with tested TRP® parts it’s an easy decision.**

**Regardless of the make you drive, TRP quality replacement parts are engineered to fit your truck, trailer or bus. Choose the parts that give you the best value for your business. Check them out at an approved TRP retailer near you.**

*The cross reference information in this catalog is based upon data provided by several industry sources and our partners. While every attempt is made to ensure the information presented is accurate, we can bear no liability due to incorrect or incomplete information.*

### **Product Availability**

*Due to border issues and market demands, not all products are always available in every location. Check for availability in your area with your local TRP® Distributor.*

*No part of this marketing material may be reproduced in any manner without written permission from TRP North America.*

## **CONTENTS**

### **SKIRTS**

<u>Trailer Skirts by Fleet Engineers Inc.</u> . . . . .	6-3
Kit . . . . .	6-3
Panels . . . . .	6-3
Lower Edging . . . . .	6-5
<u>Trailer Skirt Hardware</u> . . . . .	6-5
Replacement Brackets . . . . .	6-5
Replacement Lower Edging . . . . .	6-5

### **TRP North America**

750 Houser Way N.  
Renton, WA 98057

[www.trpparts.com](http://www.trpparts.com)

# SKIRTS

## TRAILER SKIRTS BY FLEET ENGINEERS INC.

- SmartWay® Approved; Complies with new California Regulations (CARB)
- Saves up to 6% in fuel consumption—combats against rising diesel prices
- Lightweight – only 189 lbs.
- Enhances the aerodynamics of a trailer
- Average 2 ½ hour installation time
- Lower flexible extrusion prevents damage to the skirt bottom
- Innovative, top quality manufacturing
- Short re-turn on investment – typically 5–7 months






Table 6-1: Skirts & Panels

Product	Part Number	Description
<b>Kit</b>		
	034-02290	Complete Set of 29" x 25' Panels, w/Flex Extrusion Plus Hardware and Supports
<b>PANELS</b>		
	034-02421	Side Skirts Front Curbside Panel Only, w/Flex Extrusion
	034-02418	Side Skirts Front Roadside Panel Only, w/Flex Extrusion

Information provided by Fleet Engineers Inc.

Product	Part Number	Description
	034-02422	Side Skirts Middle Curbside Panel Only, w/Flex Extrusion
	034-02419	Side Skirts Middle Roadside Panel Only, w/Flex Extrusion
	034-02423	Side Skirts Rear Curbside Panel Only, w/Flex Extrusion
	034-02420	Side Skirts Rear Roadside Panel Only, w/Flex Extrusion

Information provided by Fleet Engineers Inc.

Product	Part Number	Description
<b>LOWER EDGING</b>		
	031-01687	Replacement Lower Edging 10' Section, Curbside Front or Roadside Rear
	031-01688	Replacement Lower Edging 10' Section, Curbside Rear or Roadside Front
	031-01689	Replacement Lower Edging 5' Section, Middle Panel, Either Side

Information provided by Fleet Engineers Inc.

## TRAILER SKIRT HARDWARE

Table 6-2: Trailer Skirt Hardware

Part Number	Description
<b>REPLACEMENT BRACKETS</b>	
034-02415	Side Skirts Replacement Bracket Set, Includes 2 Assembled Cross Brace Brackets & Hardware
<b>REPLACEMENT LOWER EDGING</b>	
034-02414	Replacement "H" Connector Pieces For Lower Edging, w/Hardware

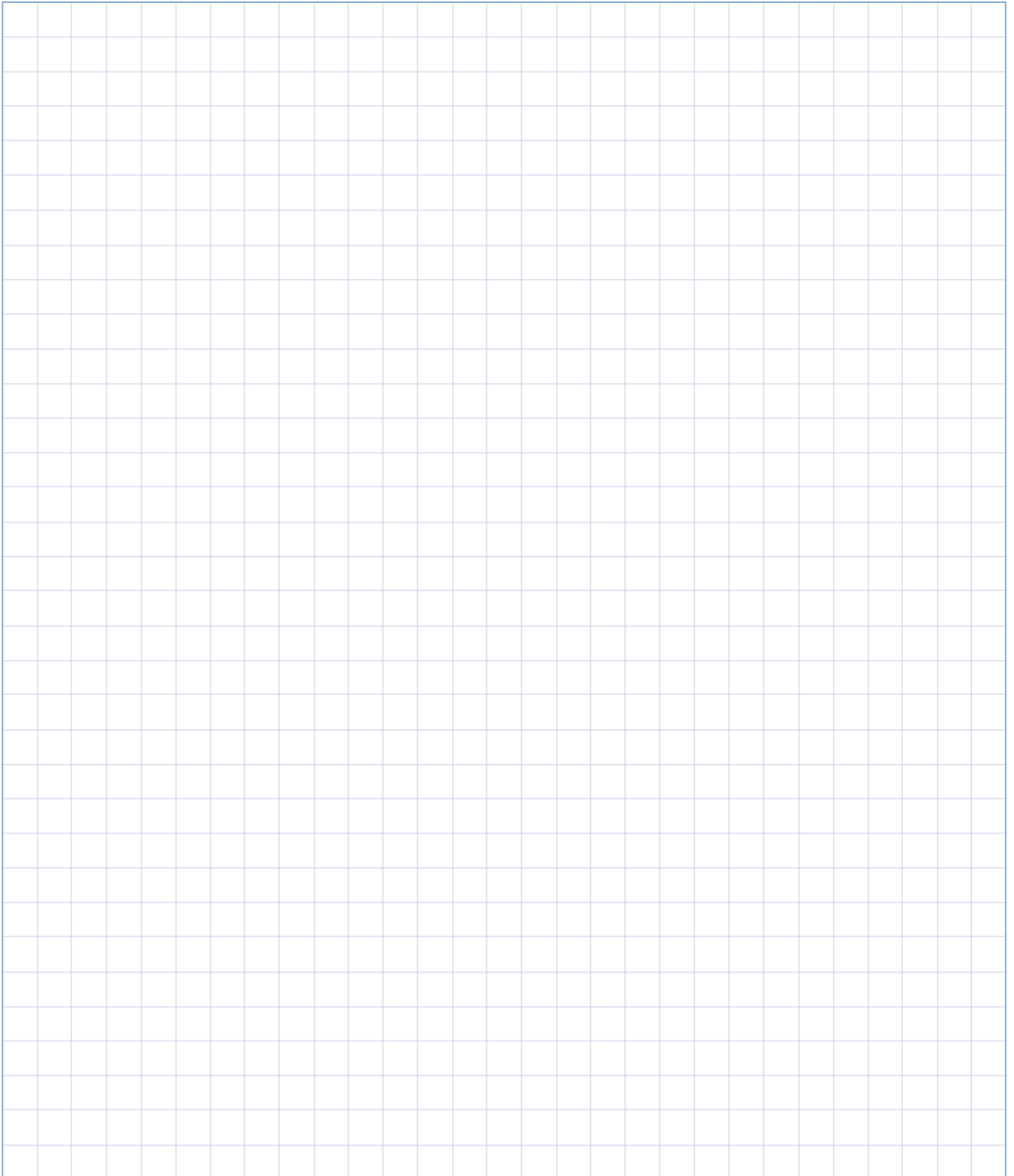
Information provided by Fleet Engineers Inc.



**NOTES**

A large rectangular area filled with a light blue grid pattern, intended for writing notes. The grid consists of small squares and covers most of the page's content area.







*For information, updates, or corrections,  
please contact us at [support@trpparts.com](mailto:support@trpparts.com).*

*No part of this marketing material may be  
reproduced in any manner without written  
permission from TRP North America.*

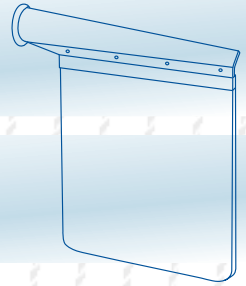
**TRP North America**

750 Houser Way N.  
Renton, WA 98057

[www.trpparts.com](http://www.trpparts.com)



Parts for all brands of trailers.



**7**

**TRAILER PARTS**

# MUD FLAPS

*Proven, reliable and  
always innovative.*

TRP® offers reliable aftermarket products that are designed and tested to exceed customers' expectations regardless of the trailer make, model or age.

## MUD FLAPS & FENDERS





**TRAILER PARTS**

**Tested. Reliable. Guaranteed.**

## Mud Flaps

Choosing the right replacement part or service for your vehicle—whether you own one, or a fleet—is one of the most important decisions you can make for your business. And, with tested TRP® parts it's an easy decision.

Regardless of the make you drive, TRP quality replacement parts are engineered to fit your truck, trailer or bus. Choose the parts that give you the best value for your business. Check them out at an approved TRP retailer near you.

*The cross reference information in this catalog is based upon data provided by several industry sources and our partners. While every attempt is made to ensure the information presented is accurate, we can bear no liability due to incorrect or incomplete information.*

### Product Availability

*Due to border issues and market demands, not all products are always available in every location. Check for availability in your area with your local TRP® Distributor.*

*No part of this marketing material may be reproduced in any manner without written permission from TRP North America.*

## CONTENTS

### MUD FLAP HANGERS

<u>Angled</u> .....	7-3
<u>Straight</u> .....	7-4

### SINGLE AXLE FENDERS

<u>Stainless Steel &amp; Aluminum</u> .....	7-5
<u>Polyethylene</u> .....	7-6

### TRP North America

750 Houser Way N.  
Renton, WA 98057

[www.trpparts.com](http://www.trpparts.com)

# MUD FLAP HANGERS

## ANGLED

Flap hardware included.

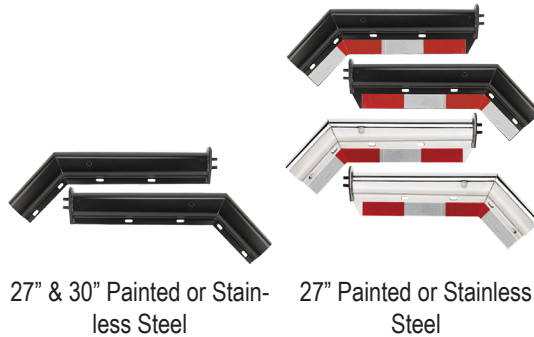
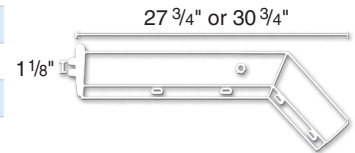


Table 7-1: Mud Flap Hangers – Angled Stainless Steel & Painted

Part Number	Weight	Description
FB00395	17 lbs.	27" Painted Steel, Short Flex 45 deg., Pair
FB00435	8.5 lbs.	27" Painted Steel, Short Flex 45 deg., Left
FB00445	8.5 lbs.	27" Painted Steel, Short Flex 45 deg., Right
FB00451	17 lbs.	27" Stainless Steel, Short Flex 45 deg., Pair
FB00491	8.5 lbs.	27" Stainless Steel, Short Flex 45 deg., Left
FB00511	8.5 lbs.	27" Stainless Steel, Short Flex 45 deg., Right
FB00525	20 lbs.	30" Painted Steel, Short Flex 45 deg., Pair
FB00535	10 lbs.	30" Painted Steel, Short Flex 45 deg., Left
FB00545	10 lbs.	30" Painted Steel, Short Flex 45 deg., Right
FB00551	20 lbs.	30" Stainless Steel, Short Flex 45 deg., Pair
FB00561	10 lbs.	30" Stainless Steel, Short Flex 45 deg., Left
FB00571	10 lbs.	30" Stainless Steel, Short Flex 45 deg., Right
FB00405	9.5 lbs.	27" Painted Steel, Short Flex 45 deg., Conspicuity, Pair
FB00415	4.75 lbs.	27" Painted Steel, Short Flex 45 deg., Conspicuity, Left
FB00425	4.75 lbs.	27" Painted Steel, Short Flex 45 deg., Conspicuity, Right
FB00461	19 lbs.	27" Stainless Steel, Short Flex 45 deg., Conspicuity, Pair
FB00471	9.5 lbs.	27" Stainless Steel, Short Flex 45 deg., Conspicuity, Left
FB00481	9.5 lbs.	27" Stainless Steel, Short Flex 45 deg., Conspicuity, Right



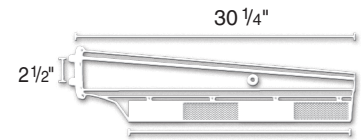
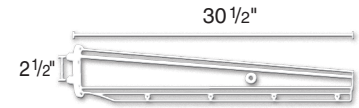
**STRAIGHT**

Flap hardware included



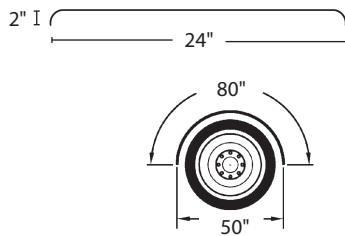
Table 7-2: Mud Flap Hangers – Straight Stainless Steel & Painted

Part Number	Weight	Description
FB00215	19 lbs.	30" Painted, Full Flex, Pair
FB00225	9.5 lbs.	30" Painted, Full Flex, Left
FB00235	9.5 lbs.	30" Painted, Full Flex, Right
FB00241	19 lbs.	30" Stainless Steel, Full Flex, Pair
FB00351	9.5 lbs.	30" Stainless Steel, Full Flex, Left
FB00371	9.5 lbs.	30" Stainless Steel, Full Flex, Right
FB00251	20 lbs.	30" Stainless Steel, Full Flex, Conspicuity, Pair
FB00291	10 lbs.	30" Stainless Steel, Full Flex, Conspicuity, Left
FB00321	10 lbs.	30" Stainless Steel, Full Flex, Conspicuity, Right

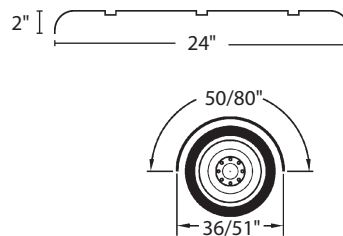


# SINGLE AXLE FENDERS

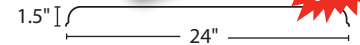
## STAINLESS STEEL & ALUMINUM



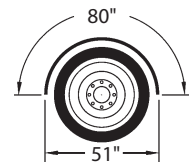
- .100 diamond plate aluminum
- 80"
- 2" flange



- Durable 16 gauge stainless steel or aluminum
- Three ribbed
- 50" or 80"
- 2" flange



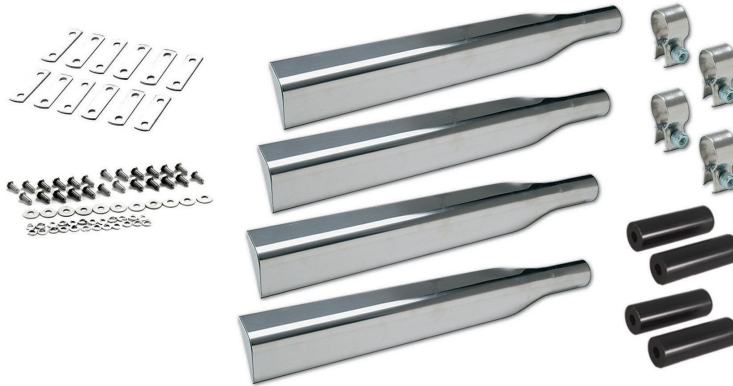
Note: 1½" flange on fender sides for added strength and durability



- Durable 16 gauge stainless steel
- Smooth
- 80"
- 1.5" flange

Table 7-3: Stainless Steel and Aluminum Single Axle Fenders

Part Number	Weight	Description
LF00011	52 lbs.	50" Lift Axle - 36" diameter, 3-Ribbed, 16-gauge Stainless Steel, Pair
LF00021	52 lbs.	50" Lift Axle - 36" diameter, Smooth, 16-gauge Stainless Steel, Pair
SA00062	38 lbs.	80" Single Axle - .100 Diamond Plate Aluminum, Pair
SA00072	19 lbs.	80" Single Axle - .100 Diamond Plate Aluminum, Single
SA00111	74 lbs.	80" Single Axle - 3-Ribbed, 16-gauge Stainless Steel, Pair
SA00121	37 lbs.	80" Single Axle - 3-Ribbed, 16-gauge Stainless Steel, Single
SA00132	39 lbs.	80" Single Axle - 3-Ribbed, Aluminum, Pair
SA00091	76 lbs.	80" Single Axle - Smooth, 16-gauge Stainless Steel, Pair
SA00101	38 lbs.	80" Single Axle - Smooth, 16-gauge Stainless Steel, Single

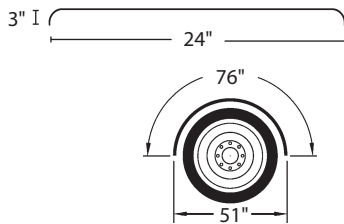


Single Axle Mounting Kit FB00331 – Post Mounted

POLYETHYLENE



**BEST SELLER!**



- Long lasting polyethylene
- Black ribbed
- 76"
- 3" flange



Single Axle Poly Mounting Kit FH00015

Table 7-4: Poly Single Axle Fenders

Part Number	Weight	Description
SA00043	21 lbs.	76" Single Axle - Black Polyethylene, Pair
SA00053	10.5 lbs.	76" Single Axle - Black Polyethylene, Single



**NOTES**

A large grid area for taking notes, consisting of many small squares. The grid is empty and occupies most of the page below the 'NOTES' header.



*For information, updates, or corrections,  
please contact us at [support@trpparts.com](mailto:support@trpparts.com).*

*No part of this marketing material may be  
reproduced in any manner without written  
permission from TRP North America.*

**TRP North America**

750 Houser Way N.  
Renton, WA 98057

[www.trpparts.com](http://www.trpparts.com)

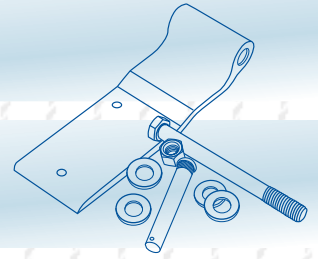


Parts for all brands of trailers.

8

TRAILER PARTS<sup>®</sup>

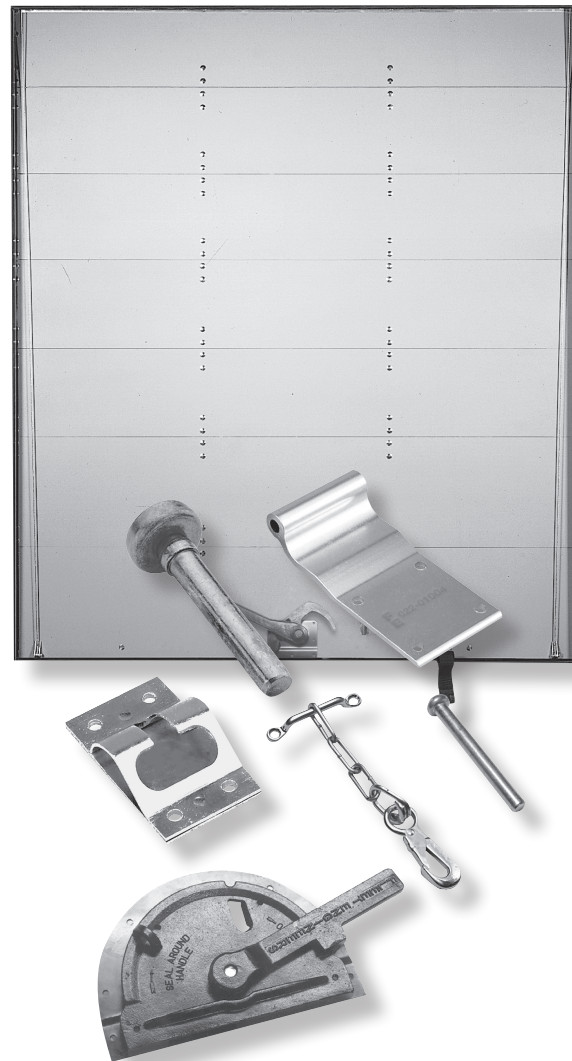
# DOORS



*Proven, reliable and  
always innovative.*

TRP<sup>®</sup> offers reliable aftermarket products that are designed and tested to exceed customers' expectations regardless of the trailer make, model or age.

## DOORS & HARDWARE *Hinges, Locks, & Rollers, etc.*





Tested. Reliable. Guaranteed.

## Doors

Choosing the right replacement part or service for your vehicle—whether you own one, or a fleet—is one of the most important decisions you can make for your business. And, with tested TRP® parts it's an easy decision.

Regardless of the make you drive, TRP quality replacement parts are engineered to fit your truck, trailer or bus. Choose the parts that give you the best value for your business. Check them out at an approved TRP retailer near you.

*The cross reference information in this catalog is based upon data provided by several industry sources and our partners. While every attempt is made to ensure the information presented is accurate, we can bear no liability due to incorrect or incomplete information.*

### Product Availability

*Due to border issues and market demands, not all products are always available in every location. Check for availability in your area with your local TRP® Distributor.*

*No part of this marketing material may be reproduced in any manner without written permission from TRP North America.*

## CONTENTS

### DOOR HINGES

Standard Hinges .....	8-4
Dorsey .....	8-4
Fruehauf .....	8-5
Gindy .....	8-6
Great Dane .....	8-6
Hyundai .....	8-8
Kentucky .....	8-8
Manac .....	8-9
Miller .....	8-9
Miner .....	8-9
Monon .....	8-10
Morgan .....	8-10
Pines .....	8-11
Stoughton .....	8-11
Strick .....	8-12
Trailmobile .....	8-13
T-Style .....	8-14
Utility .....	8-14
Universal Flush Mount .....	8-15
Vanco .....	8-15
Vanguard .....	8-15
Wabash .....	8-15

### TRP North America

750 Houser Way N.  
Renton, WA 98057

[www.trpparts.com](http://www.trpparts.com)

W-Style .....	8-16
<u>Hinge Pins</u> .....	8-17
Dorsey .....	8-17
Fruehauf & Miner .....	8-17
Great Dane .....	8-17
Trailmobile .....	8-18
Utility .....	8-18
Packaged Kit .....	8-18
<u>Weld-On Hinges</u> .....	8-19

## DOOR HARDWARE

<u>Door Handles</u> .....	8-20
<u>Door Hold-Back &amp; Anchors</u> .....	8-21
Chain .....	8-21
Loop .....	8-21
T-Slot .....	8-21
Other Styles .....	8-22
<u>Bumpers &amp; Seals</u> .....	8-23
<u>Locks</u> .....	8-23
<u>Swing Door - Lockrod Hardware</u> .....	8-24
<u>Trailer Vent Doors</u> .....	8-25
Vent Doors .....	8-25
Vent Door Hardware .....	8-26

## ROLL-UP DOOR PRODUCTS

<u>Dry Freight Roll-Up Doors (3/4")</u> .....	8-27
W-Style – Universal Drop-In and Complete-UDI Format Doors .....	8-27
T-Style – Universal Drop-In and Complete-UDI Format Doors .....	8-28
<u>Roll-Up Door Panels</u> .....	8-29
W-Style .....	8-29
T-Style .....	8-30
<u>Roll-Up Door Components</u> .....	8-32
Cables .....	8-32
Handles .....	8-34
Latches .....	8-34

Rollers .....	8-35
Seals .....	8-36
Springs & Shafts .....	8-38
Straps & Chains .....	8-40
Structure .....	8-40
Tracks .....	8-42
Miscellaneous .....	8-44
<u>Roll-Up Door Fasteners</u> .....	8-45
Rivets .....	8-45
Bolts & Screws .....	8-45
Nuts .....	8-46
Washers .....	8-46
Cotter Pins .....	8-46

# DOOR HINGES\*

## STANDARD HINGES



Table 8-1: Door Hinges – Standard Type

Product	Part Number	Description	Hinge Holes
<b>DORSEY</b>			
	022-00391	Dorsey Style Three Hole Hinge	3
	022-00392	Dorsey Style Three Hole Hinge	3
	022-00393	Dorsey Style Three Hole Hinge	3
	022-00889	Dorsey Style 3 Hole Hinge	3

\* Information provided by Fleet Engineers Inc.


Product	Part Number	Description	Hinge Holes
	022-00888	Dorsey Style 4 Hole Hinge	4

**FRUEHAUF**


	022-00013	Fruehauf Style Two Hole Door Hinge	2
	022-01005	Fruehauf Style Three Hole Hinge	3
	022-01004	Fruehauf Style Four Hole Hinge	4
	023-00557	Fruehauf Style Four Hole [Radius Offset] Hinge	4

Product	Part Number	Description	Hinge Holes
	023-00567	Fruehauf Style Four Hole Straight Offset Hinge	4
	022-00007	Fruehauf Style Three-Hole Hinge	3
	023-00567	Fruehauf Style Four-Hole Straight Offset Hinge	4

**GINDY**



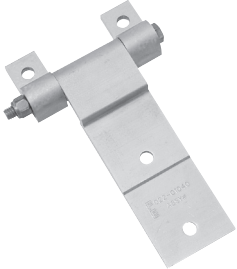
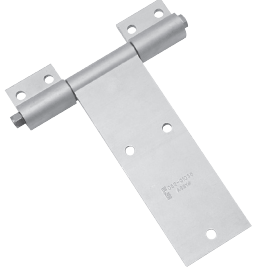
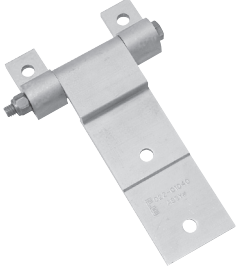
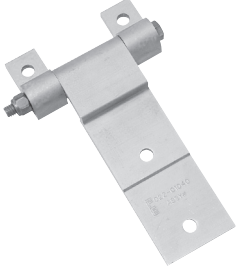
	022-00039	Gindy Style Three-Hole Hinge	3
---	-----------	------------------------------	---


**GREAT DANE**

	022-00407	Great Dane Style Hinge w/ Insert	3
---	-----------	----------------------------------	---



Product	Part Number	Description	Hinge Holes
	022-01007	Great Dane Style Three Hole Hinge	3
	022-01058	Great Dane Style Three Hole Hinge	3
	023-00562	Great Dane Style Three Hole Reefer Hinge	3
	023-00563	Great Dane Style Three Hole Dry Freight Hinge	3
	023-01656	Great Dane Style Three Hole Hinge	3
	022-01009	Great Dane Style Four Hole Hinge w/ Insert	4


Product	Part Number	Description	Hinge Holes
<b>HYUNDAI</b>			
	023-01657	Hyundai Style Three Hole Hinge	3
<b>KENTUCKY</b>			
	022-00614	Kentucky Style Three Hole Hinge	3
	022-01040	Kentucky Style Hinge Assembly - "Belly Box"	4
	022-01035	Kentucky Style Hinge Assembly - "Side Door"	7
	022-01090	Kentucky Style Hinge Only - Belly Box	
	022-01091	Kentucky Style Hinge Butt - Belly Box - Single Bolt	

Product	Part Number	Description	Hinge Holes
	022-01092	Kentucky Style Hinge Only - Side Door	
	022-01093	Kentucky Style Hinge Butt - Side Door - Two Bolt	


**MANAC**



	022-01043	Manac Style Hinge w/ Out Holes	0
	022-01041	Manac Style 3 Hole Hinge	3

**MILLER**

	022-00030	Miller Style Three Hole Hinge	3
---	-----------	-------------------------------	---

**MINER**


	023-00561	Miner Style Three Hole Hinge	3
---	-----------	------------------------------	---


Product	Part Number	Description	Hinge Holes
Image Not Available	023-01502	Miner Style Three Hold Hinge w/ Zerk	3
	023-00559	Miner Style Five Hole Hinge	5
	023-02009	Miner Style Five-Hole Hinge w/ Collar Inserts	5

**MONON**


	022-00996	Monon Style Three Hole Hinge	3
	022-01185	Monon Style Three Hole Hinge	3

**MORGAN**

	022-01046	Morgan Style Hinge w/ Insert	3
---	-----------	------------------------------	---






Product	Part Number	Description	Hinge Holes
	022-01047	Wabash Style Four Hole Hinge (Reefer)	4

**PINES**

	022-00995	Pines Style Three Hole Hinge	3
---	-----------	------------------------------	---

**STOUGHTON**

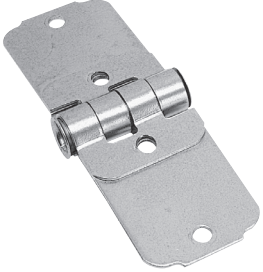

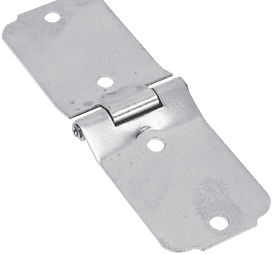


	022-01081	Stoughton Style Three Hole Hinge	3
	022-01008	Stoughton Style Four Hole Hinge w/ Insert	4
	022-01086	Stoughton Style Five-Hole Hinge	5

Product	Part Number	Description	Hinge Holes
	022-01003	Strick Style Three Hole Hinge w/ Insert	3
	022-01013	Strick Style Four Hole Hinge w/ Insert	4
	022-00490	Strick Style Three-Hole Hinge w/ Rib	3
	021-00006	Strick Style Three-Hole Hinge	3
	021-00010	Strick Style Four-Hole Hinge	4


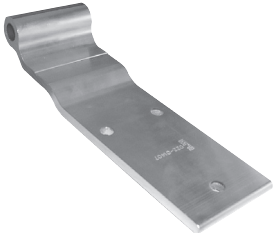
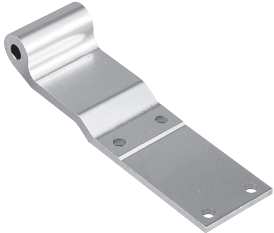

Product	Part Number	Description	Hinge Holes
	021-00025	Strick Style Three-Hole Hinge	3


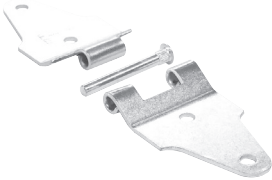
**TRAILMOBILE**

	022-00966	Trailmobile Style 3 Hole Hinge	3
	023-00008	Trailmobile Style Three Hole Hinge	3
	023-00940	Trailmobile Style Three Hole Square End Hinge	3
	022-01036	Trailmobile Style 4 Hole Hinge	4

Product	Part Number	Description	Hinge Holes
<b>T-STYLE</b>			
	025-10001	T-Style End Hinge - Zinc	
	025-10011	T-Style Self Centering End Hinge - Zinc	
	025-10050	T-Style Center Hinge - Zinc	
<b>UTILITY</b>			
	022-01056	Utility Style Three Hole Hinge	3
Image Not Available	022-01184	Utility Style Three Hole Hinge	3
	023-00943	Utility Style Three-Hole Hinge	3


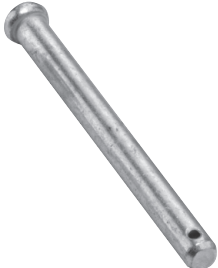





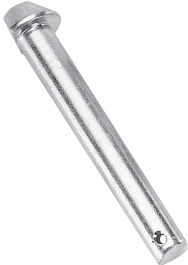

Product	Part Number	Description	Hinge Holes
<b>UNIVERSAL FLUSH MOUNT</b>			
Image Not Available	025-10275	Universal Flush Mount End Hinge	
	025-10276	Universal Flush Mount Center Hinge	
	025-10278	Universal Flush Mount End Hinge, Base Only	
	025-10279	Universal Flush Mount End Hinge, Cover Only	
<b>VANCO</b>			
	022-01055	Vanco Style Four Hole Hinge	4
<b>VANGUARD</b>			
	022-01407	Vanguard Style Three-Hole Hinge	3
<b>WABASH</b>			
	022-00975	Wabash Style Four Hole Hinge	4
	022-01182	Wabash Style Four-Hole Hinge	4

Product	Part Number	Description	Hinge Holes
<b>W-STYLE</b>			
Image Not Available	025E10002	W-Style End Hinge And Roller Cover (E-Coated)	
	025E10003	W-Style End Hinge Roller Cover Only (E-Coated)	
	025E10005	W-Style End Hinge w/ Removable Pin Packaged Set (E-Coated)	
	025E10051	W-Style Center Hinge (E-Coated)	
	025E10071	W-Style Unassembled Center Hinge w/ Removable Pin Packaged Set (E-Coated)	

## HINGE PINS


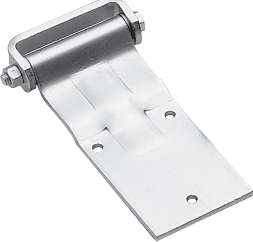

Table 8-2: Door Hinge Pins

Product	Part Number	Description
<b>DORSEY</b>		
	997-98022	Dorsey Hinge Pin
<b>FRUEHAUF &amp; MINER</b>		
	997-98017	Fruehauf & Miner Style Hinge Pin
Image Not Available	997-98020	Fruehauf & Miner Style Stainless Steel Hinge Pin
<b>GREAT DANE</b>		
	997-98015	Great Dane Style Round Head Hinge Pin
	997-98027	Great Dane Style Pin

Product	Part Number	Description
<b>TRAILMOBILE</b>		
	997-98016	Trailmobile Style Hinge Pin
<b>UTILITY</b>		
	997-98019	Utility Style Hinge Pin
<b>PACKAGED KIT</b>		
	021-00376	Hinge Bolt-Pin Fastener Packaged Set For Swing Doors

## WELD-ON HINGES

Table 8-3: Door Weld-On Hinges



Product	Part Number	Description
Image Not Available	021-00181	3.25" Narrow Butt Hinge Assembly
	022-00545	9" Narrow Butt Hinge Assembly
	022-00551	9" Narrow Butt Hinge Assembly w/Rib
Image Not Available	021-00308	One-Piece Stainless Steel Weld-On Hinge Butt
	023-00583	One-Piece Weld-On Hinge Butt (Notched, 1.75" Center)
	023-00639	One-Piece Weld-On Hinge Butt (Straight, 1.12" Center)
	023-00641	One-Piece Weld-On Hinge Butt (Straight, 1.75" Center)
Image Not Available	023-00645	One-Piece Weld-On Hinge Butt (Notched, 1.12" Center)
	023-00662	One-Piece Weld-On Hinge Butt (Notched, 1.75" Center)
	023-00664	One-Piece Weld-On Hinge Butt (Notched, 1.38" Center)
	023-00669	One-Piece Weld-On Hinge Butt (Notched, 1.38" Center)
	023-00674	One-Piece Weld-On Hinge Butt (Notched, 1.88" Center)
	023-00678	One-Piece Weld-On Hinge Butt (Notched, 1.63" Center)

# DOOR HARDWARE\*\*

## DOOR HANDLES






Table 8-4: Door Handles

Product	Part Number	Description
	022-00627	13" Grab Handle - Chrome
Image Not Available	022-00628	Loop Style Handle
	023-00491	Eberhard Style Handle
Image Not Available	025-10577	W-Style Cam Lock Handle - E-Coat
	025-10578	W-Style Handle Keeper Only - E-Coat

\*\* Information provided by Fleet Engineers Inc.

## DOOR HOLD-BACK & ANCHORS

Table 8-5: Door Hold-Back &amp; Anchors

Product	Part Number	Description
<b>CHAIN</b>		
	021-00043	Handle Type Anchor Only
	021-00050	Chain & Snap Hold-Back Assembly
	021-00051	Chain & Snap Hold-Back Assembly w/ Anchor
	021-00053	Extra Chain Lap Link Only
<b>LOOP</b>		
	021-00371	2" Loop Style Hold-Back Assembly - Packaged Set
	021-00372	3" Loop Style Hold-Back Assembly - Packaged Set
	021-00373	4" Loop Style Hold-Back Assembly - Packaged Set
	021-00374	6" Loop Style Hold-Back Assembly - Packaged Set
Image Not Available	022-01076	2" Hold-Back Loop Only
	022-01077	4" Hold-Back Loop Only
	022-01078	6" Hold-Back Loop Only
	022-01079	3" Hold-Back Loop Only
<b>T-SLOT</b>		
	022-00521	T-Slot Regular Base Only - Stainless Steel
	022-00522	T-Slot Regular Base Only - Zinc

Product	Part Number	Description
Image Not Available	022-00989	T-Slot 2" Tee Holder Only - Zinc
	022-00990	T-Slot 4" Tee Holder Only - Zinc
	022-00992	T-Slot 2" Tee Holder Only - Stainless Steel
	022-00993	T-Slot 4" Tee Holder Only - Stainless Steel
	022-00994	T-Slot 6" Tee Holder Only - Stainless Steel
	022-01020	2" T-Slot Hold-Back, Regular Base & Zinc Bulk Kit
	022-01021	2" T-Slot Hold-Back, Regular Base & Stainless Steel Bulk Kit
	022-01022	4" T-Slot Hold-Back, Regular Base & Zinc Bulk Kit
	022-01023	4" T-Slot Hold-Back, Regular Base & Stainless Steel Bulk Kit
	022-01024	6" T-Slot Hold-Back, Regular Base & Zinc Bulk Kit
	022-01025	6" T-Slot Hold-Back, Regular Base & Stainless Steel Bulk Kit




**OTHER STYLES**

Image Not Available	021-00309	Door Hold-Back - Packaged Set
	022-00081	Two-Hole Fruehauf Style Hold-Back
	022-00487	Fruehauf Style Hold-Back
	022-00577	Pig-Tail Hold-Back




## BUMPERS & SEALS

Table 8-6: Door Bumpers & Seals

Product	Part Number	Description
	022-01084	Great Dane Style Door Bumper
	022-01085	Utility Style Door Bumper
	022-01300	Swing Door Dual Durometer Door Seal 0.75" Thick
Image Not Available	022-01305	Swing Door Dual Durometer Door Seal 0.50" Thick

## LOCKS


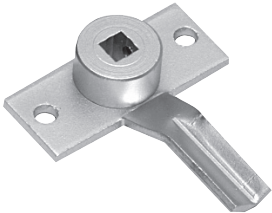
Table 8-7: Door Locks




Product	Part Number	Description
	025-10500	T-Style Maximum Strength Steel Lock Assembly - Bulk Kit
	025-10501	T-Style Maximum Strength Steel Lock Only - Zinc
	025-10502	T-Style Maximum Strength Steel Keeper Only - Zinc

Product	Part Number	Description
	025-10530	W-Style Cam Lock For Coldsaver Or Tempsaver
	025-10551	W-Style Recessed Cam Lock
	025E10502	T-Style Maximum Strength Steel Keeper Only (E-Coated)

## SWING DOOR - LOCKROD HARDWARE


Table 8-8: Door - Swing, Lockrod Hardware

Product	Part Number	Description
	021-00207	Latch Bar Assembly
	021-00217	Retainer Cam Assembly

Product	Part Number	Description
	021-00256	Retainer Cam
	023-00961	Miner Style Seal Pin
	023-00965	Miner Style Seal Plate

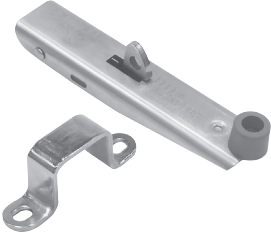
## TRAILER VENT DOORS

Table 8-9: Door Vents

Product	Part Number	Description
<b>VENT DOORS</b>		
	024-02500	F1 Dry Freight Vent Door - Aluminum 17.00" X 11.38"
	024-02501	F1 Dry Freight Vent Door - White 17.00" X 11.38"
	024-02502	F1 Dry Freight Vent Door - Stainless Steel 17.00" X 11.38"

Product	Part Number	Description
	024-02508	F1 Dry Freight Vent Door - Aluminum 17.00" X 7.00"
	024-02509	F1 Dry Freight Vent Door - White 17.00" X 7.00"
	024-02590	G1 Dry Freight Vent Door - Aluminum 17.00" X 11.38"
	024-02591	G1 Dry Freight Vent Door - White 17.00" X 11.38"
	024-02592	G1 Dry Freight Vent Door - Stainless Steel 17.00" X 11.38"
	024-02595	G1 Dry Freight Vent Door - Aluminum 17.00" X 7.00"
	024-02596	G1 Dry Freight Vent Door - White 17.00" X 7.00"
	024-02597	G1 Dry Freight Vent Door - Stainless Steel 17.00" X 7.00"
	024-03000	Louvered Vent - Adjustable - Plain

**VENT DOOR HARDWARE**

Image Not Available	021-00098	Vent Door Striker Plate
	021-00099	Vent Door Keeper Bracket
	023-00497	Vent Door Latch Assembly Bulk Kit
	024-03040	Belly Box Latch (Stainless Steel) Assembly Packaged Set
	024-03056	Belly Box Latch (Zinc) Assembly Packaged Set
Image Not Available	021-00001	Dry Freight Door Hinge Nut

## ROLL-UP DOOR PRODUCTS\*\*\*

### DRY FREIGHT ROLL-UP DOORS (3/4")

#### W-STYLE – UNIVERSAL DROP-IN AND COMPLETE-UDI FORMAT DOORS

- 3/4" thick, 7 ply, exterior grade, medium density plywood.
- Standard doors have primer finish.
- High gloss white finish available upon request.
- Includes all hardware, steel lock assembly with keeper plate, stainless steel 7 x 19, 1/4" eye cables, heavy-duty lift handle, and 18.00" pull strap assembly.
- Dual spring operator.
- W-style cam lock assembly (025-10577 & 025-10578) are attached on all doors.
- Adjustable top bracket assembly.
- Head seal retainer extrusion with removable rubber seal.
- Cable drums are grooved to prevent cables from binding or wearing prematurely.
- Uses 2.00" nylon roller.
- Flexible PVC bottom seal with aluminum seal retainer.
- End hinges have removable covers to allow easy roller replacement.
- Dual durometer side seals are included on complete door assemblies.
- Complete doors use right angle channel mounting angle.



**FLEET**  
**ENGINEERS**  
INCORPORATED

Table 8-10: Roll-Up Doors – W-Style

Part Number	Description
029-08090	W-Style Premium Version UDI Door (90.00"W x 90.00"H)
029-08100	W-Style Premium Version UDI Door (90.00"W x 100.00"H)
029-08105	W-Style Premium Version UDI Door (90.00"W x 105.00"H)
029-08112	W-Style Premium Version UDI Door (90.00"W x 112.00"H)
029-98290	W-Style Premium Version UDI Door (98.00"W x 90.00"H)
029-98200	W-Style Premium Version UDI Door (98.00"W x 100.00"H)
029-98205	W-Style Premium Version UDI Door (98.00"W x 105.00"H)
029-98207	W-Style Premium Version UDI Door (98.00"W x 107.00"H)
029-98212	W-Style Premium Version UDI Door (98.00"W x 112.00"H)
029C08090	W-Style Complete Door (90.00"W x 90.00"H)
029C08100	W-Style Complete Door (90.00"W x 100.00"H)
029C08105	W-Style Complete Door (90.00"W x 105.00"H)

UDI = Universal Drop-In

\*\*\*Information provided by Fleet Engineers Inc.

Part Number	Description
029C08112	W-Style Complete Door (90.00"W x 112.00"H)
029C98290	W-Style Complete Door (98.00"W x 90.00"H)
029C98200	W-Style Complete Door (98.00"W x 100.00"H)
029C98205	W-Style Complete Door (98.00"W x 105.00"H)
029C98207	W-Style Complete Door (98.00"W x 107.00"H)
029C98212	W-Style Complete Door (98.00"W x 112.00"H)

UDI = Universal Drop-In

### T-STYLE – UNIVERSAL DROP-IN AND COMPLETE-UDI FORMAT DOORS

- 3/4" thick, 7 ply, exterior grade, medium density plywood.
- Standard doors have primer finish.
- High gloss white finish available upon request.
- Includes all hardware, steel lock assembly, stainless steel 7 x 19, 1/4" eye cables, heavy-duty lift handle, and 18.00" pull strap assembly.
- Single counterbalanced spring operator with quick, easy adjustment.
- Maximum strength, spring assisted steel lock eliminates door bounce.
- Head seal retainer extrusion with removable rubber seal.
- Cable drums are grooved to prevent cables from binding or wearing prematurely.
- Interlocking tongue and groove door panels for a weather-tight joint and proper panel alignment.
- Hinges are recessed to prevent freight hang-up and door damage.
- Latch plate and side seals are available as an option (not included unless specified).
- Complete doors use J-Style channel mounting angle..

Table 8-11: Roll-Up Doors – T-Style

Part Number	Description
029-09090	T-Style UDI Door (90.00"W x 90.00"H)
029-90100	T-Style UDI Door (90.00"W x 100.00"H)
029-90105	T-Style UDI Door (90.00"W x 105.00"H)
029-90112	T-Style UDI Door (90.00"W x 112.00"H)
029-98090	T-Style UDI Door (98.00"W x 90.00"H)
029-98100	T-Style UDI Door (98.00"W x 100.00"H)
029-98105	T-Style UDI Door (98.00"W x 105.00"H)
029-98107	T-Style UDI Door (98.00"W x 107.00"H)
029-98112	T-Style UDI Door (98.00"W x 112.00"H)
029C09090	T-Style Complete Door (90.00"W x 90.00"H)
029C90100	T-Style Complete Door (90.00"W x 100.00"H)
029C90105	T-Style Complete Door (90.00"W x 105.00"H)
029C90112	T-Style Complete Door (90.00"W x 112.00"H)
029C98090	T-Style Complete Door (98.00"W x 90.00"H)
029C98100	T-Style Complete Door (98.00"W x 100.00"H)

UDI = Universal Drop-In

Part Number	Description
029C98105	T-Style Complete Door (98.00"W x 105.00"H)
029C98107	T-Style Complete Door (98.00"W x 107.00"H)
029C98112	T-Style Complete Door (98.00"W x 112.00"H)

UDI = Universal Drop-In

## ROLL-UP DOOR PANELS

- These panels are cut to an extra wide width to fit wider vehicle applications.
- Interlocking tongue and groove design for weather-tight joint and proper panel alignment.
- 3/4" thick, 7 ply, exterior grade, medium density plywood.
- Primer finish.



Bottom Panel w/ Seal



Intermediate Panel

Table 8-12: Roll-Up Door – Panels

Part Number	Description
-------------	-------------

### W-STYLE

026-94221	W-Style Bottom Panel w/ Hardware (11.00" x 98.00")
026CW94221	W-Style Bottom Panel w/ Hardware (11.00" x 98.00"), High Gloss White
026-94222	W-Style Bottom Panel w/ Hardware (12.00" x 98.00")
026CW94222	W-Style Bottom Panel w/ Hardware (12.00" x 98.00"), High Gloss White
026-94223	W-Style Bottom Panel w/ Hardware (13.00" x 98.00")
026CW94223	W-Style Bottom Panel w/ Hardware (13.00" x 98.00"), High Gloss White
026-94225	W-Style Bottom Panel w/ Hardware (15.00" x 98.00")
026CW94225	W-Style Bottom Panel w/ Hardware (15.00" x 98.00"), High Gloss White
026-942255	W-Style Bottom Panel w/ Hardware (15.50" x 98.00")
026CW942255	W-Style Bottom Panel w/ Hardware (15.50" x 98.00"), High Gloss White
026-94321	W-Style Bottom Panel w/ Seal & Retainer (11.00" x 98.00")
026CW94321	W-Style Bottom Panel w/ Seal & Retainer (11.00" x 98.00"), High Gloss White
026-94322	W-Style Bottom Panel w/ Seal & Retainer (12.00" x 98.00")
026CW94322	W-Style Bottom Panel w/ Seal & Retainer (12.00" x 98.00"), High Gloss White
026-94323	W-Style Bottom Panel w/ Seal & Retainer (13.00" x 98.00")
026CW94323	W-Style Bottom Panel w/ Seal & Retainer (13.00" x 98.00"), High Gloss White
026-94325	W-Style Bottom Panel w/ Seal & Retainer (15.00" x 98.00")
026CW94325	W-Style Bottom Panel w/ Seal & Retainer (15.00" x 98.00"), High Gloss White
026-943255	W-Style Bottom Panel w/ Seal & Retainer (15.50" x 98.00")
026CW943255	W-Style Bottom Panel w/ Seal & Retainer (15.50" x 98.00"), High Gloss White
026-94521	W-Style Intermediate Panel (11.00" x 98.00")
026CW94521	W-Style Intermediate Panel (11.00" x 98.00"), High Gloss White

<i>Part Number</i>	<i>Description</i>
026-945215	W-Style Intermediate Panel (11.50" x 98.00")
026CW945215	W-Style Intermediate Panel (11.50" x 98.00"), High Gloss White
026-94522	W-Style Intermediate Panel (12.00" x 98.00")
026CW94522	W-Style Intermediate Panel (12.00" x 98.00"), High Gloss White
026-94523	W-Style Intermediate Panel (13.00" x 98.00")
026CW94523	W-Style Intermediate Panel (13.00" x 98.00"), High Gloss White
026-94525	W-Style Intermediate Panel (15.00" x 98.00")
026CW94525	W-Style Intermediate Panel (15.00" x 98.00"), High Gloss White
026-945255	W-Style Intermediate Panel (15.50" x 98.00")
026CW945255	W-Style Intermediate Panel (15.50" x 98.00"), High Gloss White
026CW94621	W-Style Top Panel (11.00" x 98.00"), High Gloss White
026CW94622	W-Style Top Panel (12.00" x 98.00"), High Gloss White
026CW94623	W-Style Top Panel (13.00" x 98.00"), High Gloss White
026CW94625	W-Style Top Panel (15.00" x 98.00"), High Gloss White
026CW946255	W-Style Top Panel (15.50" x 98.00"), High Gloss White
026-94621	W-Style Top Panel w/o Hardware (11.00" x 98.00")
026-94622	W-Style Top Panel w/o Hardware (12.00" x 98.00")
026-94623	W-Style Top Panel w/o Hardware (13.00" x 98.00")
026-94625	W-Style Top Panel w/o Hardware (15.00" x 98.00")
026-946255	W-Style Top Panel w/o Hardware (15.50" x 98.00")

## T-STYLE

026-14221	T-Style Bottom Panel w/ Hardware (11.00" x 98.00")
026CW14221	T-Style Bottom Panel w/ Hardware (11.00" x 98.00"), High Gloss White
026-14222	T-Style Bottom Panel w/ Hardware (12.00" x 98.00")
026CW14222	T-Style Bottom Panel w/ Hardware (12.00" x 98.00"), High Gloss White
026-14223	T-Style Bottom Panel w/ Hardware (13.00" x 98.00")
026CW14223	T-Style Bottom Panel w/ Hardware (13.00" x 98.00"), High Gloss White
026-14225	T-Style Bottom Panel w/ Hardware (15.00" x 98.00")
026CW14225	T-Style Bottom Panel w/ Hardware (15.00" x 98.00"), High Gloss White
026-142255	T-Style Bottom Panel w/ Hardware (15.50" x 98.00")
026CW142255	T-Style Bottom Panel w/ Hardware (15.50" x 98.00"), High Gloss White
026-14321	T-Style Bottom Panel w/ Seal & Retainer (11.00" x 98.00")
026CW14321	T-Style Bottom Panel w/ Seal & Retainer (11.00" x 98.00"), High Gloss White
026-14322	T-Style Bottom Panel w/ Seal & Retainer (12.00" x 98.00")
026CW14322	T-Style Bottom Panel w/ Seal & Retainer (12.00" x 98.00"), High Gloss White
026-14323	T-Style Bottom Panel w/ Seal & Retainer (13.00" x 98.00")
026CW14323	T-Style Bottom Panel w/ Seal & Retainer (13.00" x 98.00"), High Gloss White
026-14325	T-Style Bottom Panel w/ Seal & Retainer (15.00" x 98.00")
026CW14325	T-Style Bottom Panel w/ Seal & Retainer (15.00" x 98.00"), High Gloss White
026-143255	T-Style Bottom Panel w/ Seal & Retainer (15.50" x 98.00")
026CW143255	T-Style Bottom Panel w/ Seal & Retainer (15.50" x 98.00"), High Gloss White
026-14521	T-Style Intermediate Panel (11.00" x 98.00")
026CW14521	T-Style Intermediate Panel (11.00" x 98.00"), High Gloss White



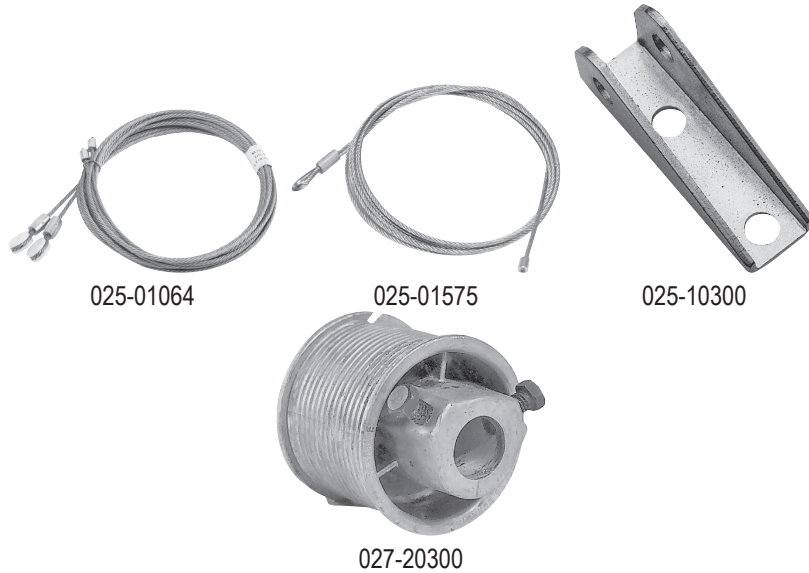
<i>Part Number</i>	<i>Description</i>
026-14522	T-Style Intermediate Panel (12.00" x 98.00")
026CW14522	T-Style Intermediate Panel (12.00" x 98.00"), High Gloss White
026-14523	T-Style Intermediate Panel (13.00" x 98.00")
026CW14523	T-Style Intermediate Panel (13.00" x 98.00"), High Gloss White
026-14525	T-Style Intermediate Panel (15.00" x 98.00")
026CW14525	T-Style Intermediate Panel (15.00" x 98.00"), High Gloss White
026-145255	T-Style Intermediate Panel (15.50" x 98.00")
026CW145255	T-Style Intermediate Panel (15.50" x 98.00"), High Gloss White
026CW14621	T-Style Top Panel (11.00" x 98.00"), High Gloss White
026CW14622	T-Style Top Panel (12.00" x 98.00"), High Gloss White
026CW14623	T-Style Top Panel (13.00" x 98.00"), High Gloss White
026CW14625	T-Style Top Panel (15.00" x 98.00"), High Gloss White
026CW146255	T-Style Top Panel (15.50" x 98.00"), High Gloss White
026-14621	T-Style Top Panel w/o Hardware (11.00" x 98.00")
026-14622	T-Style Top Panel w/o Hardware (12.00" x 98.00")
026-14623	T-Style Top Panel w/o Hardware (13.00" x 98.00")
026-14625	T-Style Top Panel w/o Hardware (15.00" x 98.00")
026-146255	T-Style Top Panel w/o Hardware (15.50" x 98.00")

# ROLL-UP DOOR COMPONENTS

Table 8-13: Roll-Up Door Components

Product	Part Number	Description
---------	-------------	-------------

**CABLES**



025-01028	Roll-Up Door Cables, Pair (110.00", 1/4" Eye, 7 X 7 Stainless Steel) Packaged Set
025-01029	Roll-Up Door Cables, Pair (110.00", 1/4" Eye, 7 X 7 Galv.) Packaged Set
025-01031	Roll-Up Door Cables, Pair (115.00", 1/4" Eye, 7 X 7 Galv.) Packaged Set
025-01034	Roll-Up Door Cables, Pair (130.00", 1/4" Eye, 7 X 7 Stainless Steel) Packaged Set
025-01035	Roll-Up Door Cables, Pair (130.00", 1/4" Eye, 7 X 7 Galv.) Packaged Set
025-01036	Roll-Up Door Cables, Pair (97.00", 5/16" Eye, 7 X 7 Stainless Steel) Packaged Set
025-01037	Roll-Up Door Cables, Pair (97.00", 5/16" Eye, 7 X 7 Galv.) Packaged Set
025-01038	Roll-Up Door Cables, Pair (125.00", 5/16" Eye, 7 X 7 Stainless Steel) Packaged Set
025-01039	Roll-Up Door Cables, Pair (125.00", 5/16" Eye, 7 X 7 Galv.) Packaged Set
025-01052	Roll-Up Door Cables, Pair (105.00", 7/16" Eye, 7 X 7 Stainless Steel) Packaged Set
025-01053	Roll-Up Door Cables, Pair (105.00", 7/16" Eye, 7 X 7 Galv.) Packaged Set
025-01055	Roll-Up Door Cables, Pair (110.00", 7/16" Eye, 7 X 7 Galv.) Packaged Set
025-01056	Roll-Up Door Cables, Pair (115.00", 7/16" Eye, 7 X 7 Stainless Steel) Packaged Set
025-01057	Roll-Up Door Cables, Pair (115.00", 7/16" Eye, 7 X 7 Galv.) Packaged Set
025-01058	Roll-Up Door Cables, Pair (125.00", 7/16" Eye, 7 X 7 Stainless Steel) Packaged Set
025-01059	Roll-Up Door Cables, Pair (125.00", 7/16" Eye, 7 X 7 Galv.) Packaged Set
025-01064	Roll-Up Door Cables, Pair (97.00", 1/4" Eye, 7 X 7 Stainless Steel) Packaged Set
025-01065	Roll-Up Door Cables, Pair (97.00", 1/4" Eye, 7 X 7 Galv.) Packaged Set
025-01066	Roll-Up Door Cables, Pair (105.00", 5/16" Eye, 7 X 7 Stainless Steel) Packaged Set
025-01067	Roll-Up Door Cables, Pair (105.00", 5/16" Eye, 7 X 7 Galv.) Packaged Set
025-01068	Roll-Up Door Cables, Pair (120.00", 5/16" Eye, 7 X 7 Stainless Steel) Packaged Set
025-01069	Roll-Up Door Cables, Pair (120.00", 1/4" Eye, 7 X 7 Galv.) Packaged Set
025-01070	Roll-Up Door Cables, Pair (120.00", 5/16" Eye, 7 X 7 Galv.) Packaged Set
025-01075	Roll-Up Door Cables, Pair (130.00", 7/16" Eye, 7 X 7 Galv.) Packaged Set
025-01076	Roll-Up Door Cables, Pair (105.00", 1/4" Eye, 7 X 7 Galv.) Packaged Set

<i>Product</i>	<i>Part Number</i>	<i>Description</i>
	025-01078	Roll-Up Door Cables, Pair (110.00", 5/16" Eye, 7 X 7 Galv.) Packaged Set
	025-01081	Roll-Up Door Cables, Pair (105.00", 1/4" Eye, 7 X 7 Stainless Steel) Packaged Set
	025-01088	Roll-Up Door Cables, Pair (115.00", 5/16" Eye, 7 X 7 Galv.) Packaged Set
	025-01098	Roll-Up Door Cables, Pair (110.00", 5/16" Eye, 7 X 7 Stainless Steel) Packaged Set
	025-01100	Roll-Up Door Cables, Pair (115.00", 5/16" Eye, 7 X 7 Stainless Steel) Packaged Set
	025-01102	Roll-Up Door Cables, Pair (130.00", 5/16" Eye, 7 X 7 Stainless Steel) Packaged Set
	025-01119	Roll-Up Door Cables, Pair (120.00", 1/4" Eye, 7 X 7 Stainless Steel) Packaged Set
	025-01123	Roll-Up Door Cables, Pair (130.00", 5/16" Eye, 7 X 7 Galv.) Packaged Set
	025-01126	Roll-Up Door Cables, Pair (125.00", 1/4" Eye, 7 X 7 Stainless Steel) Packaged Set
	025-01426	Roll-Up Door Cables, Pair (97.00", 1/4" Eye, 7 X 19 Stainless Steel) Packaged Set
	025-01427	Roll-Up Door Cables, Pair (97.00", 5/16" Eye, 7 X 19 Stainless Steel) Packaged Set
	025-01430	Roll-Up Door Cables, Pair (105.00", 1/4" Eye, 7 X 19 Stainless Steel) Packaged Set
	025-01431	Roll-Up Door Cables, Pair (105.00", 5/16" Eye, 7 X 19 Stainless Steel) Packaged Set
	025-01432	Roll-Up Door Cables, Pair (105.00", 1/4" Eye, 7 X 19 Galv.) Packaged Set
	025-01433	Roll-Up Door Cables, Pair (105.00", 5/16" Eye, 7 X 19 Galv.) Packaged Set
	025-01434	Roll-Up Door Cables, Pair (110.00", 1/4" Eye, 7 X 19 Stainless Steel) Packaged Set
	025-01435	Roll-Up Door Cables, Pair (110.00", 5/16" Eye, 7 X 19 Stainless Steel) Packaged Set
	025-01437	Roll-Up Door Cables, Pair (110.00", 5/16" Eye, 7 X 19 Galv.) Packaged Set
	025-01438	Roll-Up Door Cables, Pair (115.00", 1/4" Eye, 7 X 19 Stainless Steel) Packaged Set
	025-01439	Roll-Up Door Cables, Pair (115.00", 5/16" Eye, 7 X 19 Stainless Steel) Packaged Set
	025-01440	Roll-Up Door Cables, Pair (115.00", 1/4" Eye, 7 X 19 Galv.) Packaged Set
	025-01441	Roll-Up Door Cables, Pair (115.00", 5/16" Eye, 7 X 19 Galv.) Packaged Set
	025-01442	Roll-Up Door Cables, Pair (120.00", 1/4" Eye, 7 X 19 Stainless Steel) Packaged Set
	025-01443	Roll-Up Door Cables, Pair (120.00", 5/16" Eye, 7 X 19 Stainless Steel) Packaged Set
	025-01444	Roll-Up Door Cables, Pair (120.00", 1/4" Eye, 7 X 19 Galv.) Packaged Set
	025-01445	Roll-Up Door Cables, Pair (120.00", 5/16" Eye, 7 X 19 Galv.) Packaged Set
	025-01446	Roll-Up Door Cables, Pair (125.00", 1/4" Eye, 17 X 19 Stainless Steel) Packaged Set
	025-01447	Roll-Up Door Cables, Pair (125.00", 5/16" Eye, 17 X 19 Stainless Steel) Packaged Set
	025-01448	Roll-Up Door Cables, Pair (125.00", 1/4" Eye, 17 X 19 Galv.) Packaged Set
	025-01449	Roll-Up Door Cables, Pair (125.00", 5/16" Eye, 17 X 19 Galv.) Packaged Set
	025-01450	Roll-Up Door Cables, Pair (130.00", 1/4" Eye, 17 X 19 Stainless Steel) Packaged Set
	025-01451	Roll-Up Door Cables, Pair (130.00", 5/16" Eye, 17 X 19 Stainless Steel) Packaged Set
	025-01452	Roll-Up Door Cables, Pair (130.00", 1/4" Eye, 17 X 19 Galv.) Packaged Set
	025-01545	Roll-Up Door Cables, Pair (130.00", 5/16" Eye, 17 X 19 Galv.) Packaged Set
	025-01575	Beverage Body/Trailer Roll-Up Door Cables, Pair - Packaged Set
	025-10300	Cable Anchor Bracket
	025E10301	W-Style Heavy Duty Cable Anchor Bracket
	027-20300	T-Style Cable Drum, Left (Roadside)
	027-20301	T-Style Cable Drum, Right (Curbside)
	027-20303	W-Style Cable Drum And Bearing Assembly, Left (Roadside)
	027-20304	W-Style Cable Drum And Bearing Assembly, Right (Curbside)

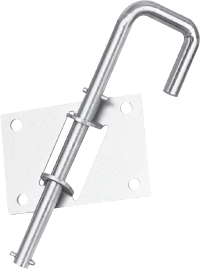
Product	Part Number	Description
---------	-------------	-------------

**HANDLES**

	025-10311	Heavy-Duty Lift Handle, Zinc
	025-60503	Todco Style Ramp Handle - Right (Curbside)
Image Not Available	025E10311	Heavy-Duty Lift Handle (E-Coated)


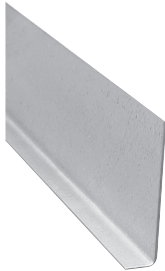



**LATCHES**

	025-60050	T-Style Latch Plate
	025-60052	W-Style Latch Plate
	025-60200	Shelf Latch Assembly




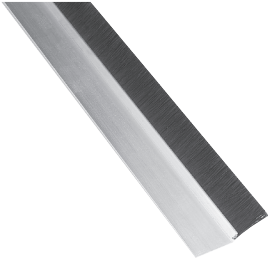
Product	Part Number	Description
	025-60206	Gravity Feed Shelf Latch Assembly
Image Not Available	994-00500	Latch Pin Only
	995-00401	Latch Spring Only

## ROLLERS

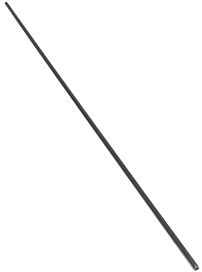
	025-10100	T-Style 1.00" Door Roller
	025-10101	W-Style 2.00" Door Roller - Nylon
Image Not Available	025-10102	W-Style 2.00" Door Roller - Steel
	025-10105	T-Style 1.00" Steel Roller w/ Longer Shaft
	025-10113	W-Style 2.00" Door Roller-Long Stem Unplated Steel
	025-60563	W-Style Reefer Bottom Roller Bracket Assembly
Image Not Available	025E10270	W-Style Bottom Roller Shaft Cover (E-Coated)
	025E10271	W-Style Bottom Roller Stud Plate (E-Coated)
	025E10272	W-Style Bottom Roller Stud Plate (2 Studs) (E-Coated)
	025E90041	W-Style Bottom Roller Bracket, w/ Stainless Steel Wear Plate, Assembly

Product	Part Number	Description
	026-40001	T-Style Standard Bottom Seal
	026-40005	T-Style Bottom Seal Retainer Angle (84.00")
Image Not Available	026-40007	T-Style Bottom Seal Retainer Angle (96.00")
	026-40010	T-Style Heavy-Duty Bottom Seal
	026-40026	W-Style U Channel Seal Retainer (96.00")
	026-40027	W-Style Bottom Seal





Product	Part Number	Description
	026-40037	W-Style Offset U Channel Seal Retainer (96.00")
	026-40040	W-Style Offset Bottom Seal, 96" Length
	026-40100	Horizontal Panel Seal
Image Not Available	026-40200	T-Style Head Seal Only
	026-40202	T-Style Head Seal Retainer Extrusion Only
	026-40204	T-Style Head Seal Assembly
Image Not Available	026-40206	Brush Seal Only
	026-40208	Brush Head Seal Assembly

Product	Part Number	Description
	026-40400	W-Style Dual Durometer Side Seal
	026-40410	T-Style Standard Side Seal
	026-40500	Parcel Delivery Side Seal Assembly (120.00")
Image Not Available	026-40601	Side Seal Only
	026-40602	Side Seal Retainer Extrusion Only
	026-40702	Brush Side Seal Assembly

**SPRINGS & SHAFTS**




	027-20000	T-Style Shaft (96.00")
	027-20001	T-Style Shaft (89.50")



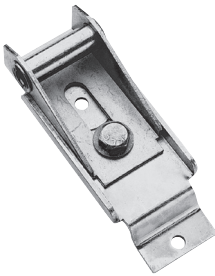
Product	Part Number	Description
	027-20003	W-Style Dual Spring Shafts, (87.00")
	027-20004	W-Style Dual Spring Shafts, (93.00")
	027-20112	W-Style Spring Assembly-Curbside, (29.00")
	027-20113	W-Style Spring Assembly-Roadside, (29.00")
	027-20114	W-Style Spring Assembly-Curbside, (31.00")
	027-20115	W-Style Spring Assembly-Roadside, (31.00")
	Image Not Available	027-20126
	027-20127	W-Style Spring Spacer, (35.00")
	027-20202	W-Style Winding Cone - Dual Spring Operator
	027-24100	T-Style Single Spring Operator Assy. 96" Shaft 36" Spring
	027-24101	T-Style Single Spring Operator Assy. 89.5" Shaft, 36" Spring
	027-24200	T-Style Single Operator Assy. 96" Shaft, 60" Spring
	027-24201	T-Style Single Operator Assy. 96" Shaft, 48" Spring
	027-24202	T-Style Spring Operator Assy. 98" Shaft, 60" Spring
	027-24300	T-Style Single Operator Assy. 89.5" Shaft, 60" Spring
	027-24301	T-Style Single Operator Assy. 89.5" Shaft, 48" Spring
	027-24400	W-Style Dual Spring Operator Assy. 87" Shaft, 29" Spring
	027-24401	W-Style Dual Spring Operator Assy. 93" Shaft, 29" Spring
	027-24402	W-Style Dual Spring Operator Assy. 87" Shaft, 31" Spring
	027-24403	W-Style Dual Spring Operator Assy. 93" Shaft, 31" Spring
	027-82096	Dual Spring Operator Kit For 2" Tracks
	027-82106	Dual Spring Operator Kit For 2" Tracks
	027-82114	Dual Spring Operator Kit For 2" Tracks



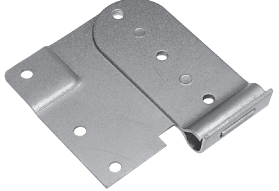
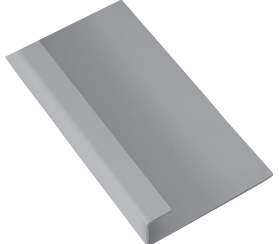
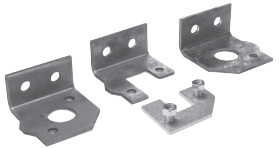
Product	Part Number	Description
---------	-------------	-------------

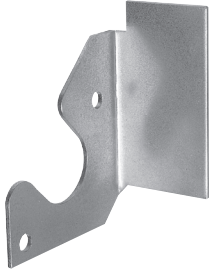


**STRAPS & CHAINS**

	025-10402	Pull Strap Assembly (15.50") w/ Zinc Retainer
Image Not Available	025-10403	Pull Strap Assembly (29.50") w/ Zinc Retainer
	025-10420	Pull Strap Only (18.00")
	025-10421	Pull Strap Only (32.00")
	025-10432	Heavy-Duty Pull Strap Retainer - Zinc
	025-10600	Safety Chain Keeper Bulk Kit
Image Not Available	025-10601	Safety Chain Keeper Only
	025-10602	Safety Chain Only
	025E10402	Pull Strap Assembly (15.50") w/ E-Coated Retainer
	025E10432	Heavy-Duty Pull Strap Retainer (E-Coated)

**STRUCTURE**




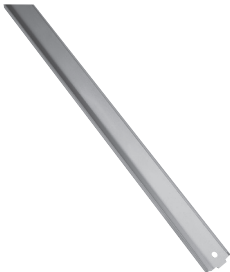
	025-10200	T-Style Top Fixture Base, Slide And Hardware - Zinc
	025-10201	T-Style Top Fixture Base Plate Only - Zinc
	025-10202	T-Style Top Fixture Slide Only - Zinc
Image Not Available	025-10230	W-Style Reefer Top Closure Bracket Roadside - E-Coat


Product	Part Number	Description
	025-10231	W-Style Reefer Top Closure Bracket Curbside - E-Coat
	025-10250	T-Style Bottom Fixture
	025-10260	Heavy-Duty Bottom Fixture, Left-Roadside
	025-10261	Heavy-Duty Bottom Fixture, Right-Curbside
	025-60407	2.0" Wide Conversion Bulk Kit w/ 7" Header
	025-60409	2.0" Wide Conversion Bulk Kit w/ 9" Header
Image Not Available	025-60410	Corner Post Only For 2.0" Wide Conversion Bulk Kit
	025-60411	7.0" Header Only For 2.0" Wide Conversion Bulk Kit
	025-60412	9.0" Header Only For 2.0" Wide Conversion Bulk Kit
	025E10220	W-Style Top Closure Plate And Slide (New Style) (E-Coated)
	027-20305	W-Style Balancer Bracket, Center
	027-20306	W-Style Balancer Bracket, Clamp
	027-20307	W-Style Balancer Bracket, End, Left (Roadside)
	027-20308	W-Style Balancer Bracket, End, Right (Curbside)

Product	Part Number	Description
	027-20400	T-Style Operator Bracket, Left (Roadside)
	027-20401	T-Style Operator Bracket, Right (Curbside)
	027-20500	Bearing And Bracket Plate Assembly
	027-20530	1.00" Bearing


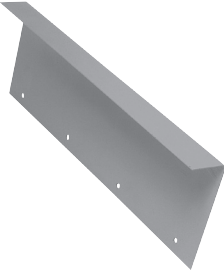



**TRACKS**

Image Not Available	027-80090	Operator Bulk Kit For 1" Track-J Style (Door Opening 72.00"-90.00")
	027-80100	Operator Bulk Kit For 1" Track-J Style (Door Opening 91.00"-100.00")
	027-80114	Operator Bulk Kit For 1" Track-J Style (Door Opening 101.00"-114.00")
	027-81090	Operator Bulk Kit For 1" Track (Door Opening 72.00" X 90.00")
	027-81100	Operator Bulk Kit For 1" Track (Door Opening 91.00" X 100.00")
	027-81114	Operator Bulk Kit For 1" Track (Door Opening 101.00" X 114.00")
	028-00190	Standard Vertical 1" Track, Right (Curbside) (Door Opening Less 90.00"H)
	028-00290	Standard Vertical 1" Track, Left (Roadside) (Door Opening Less 90.00"H)
	028-02090	W-Style Vertical 2" Track, Left (Roadside) (Door Opening Less 90.00"H)
	028-02101	W-Style Vertical 2" Track, Left (Roadside) (Door Opening 90.00"-101.00"H)
	028-02114	W-Style Vertical 2" Track, Left (Roadside) (Door Opening 101.00"-114.00"H)
	028-02201	W-Style Vertical 2" Track, Right (Curbside) (Door Opening 90.00"-101.00"H)
	028-02214	W-Style Vertical 2" Track, Right (Curbside) (Door Opening 101.00"-114.00"H)
	028-02290	W-Style Vertical 2" Track, Right (Curbside) (Door Opening Less 90.00"H)
	028-03090	1.00" Vertical Track And Right Angle Assembly- Right Hand (96.50")
	028-03101	1.00" Vertical Track And Right Angle Assembly- Left Hand (106.50")
	028-03114	1.00" Vertical Track And Right Angle Assembly- Right Hand (120.00")
	028-03190	1.00" Vertical Track And Right Angle Assembly- Left Hand (96.50")
	028-03201	1.00" Vertical Track And Right Angle Assembly- Right Hand (106.50")
	028-03214	1.00" Vertical Track And Right Angle Assembly- Left Hand (120.00")

Product	Part Number	Description
	028-30012	1.00" Vertical Track (93.50)
	028-30014	1.00" Vertical Track (107.00")
	028-30015	1.00" Vertical Track w/ Holes (93.50" Length)
	028-30017	1.00" Vertical Track w/ Holes (107.00" Length)
	028-30050	Standard 52 Degree Horizontal Track, Right (Curbside) (107.00")
	028-30051	Standard 52 Degree Horizontal Track, Left (Roadside) (107.00")
	028-30060	Standard 52 Degree Horizontal Track, Right (Curbside) (120.00")
	028-30061	Standard 52 Degree Horizontal Track, Left (Roadside) (120.00")
Image Not Available	028-30070	Standard 6.00" Radius Horizontal 1.00" Track, Right (Curbside) (107.00")
	028-30071	Standard 6.00" Radius Horizontal 1.00" Track, Left (Roadside) (107.00")
	028-30080	Standard 6.00" Radius Horizontal 1.00" Track, Right (Curbside) (120.00")
	028-30081	Standard 6.00" Radius Horizontal 1.00" Track, Left (Roadside) (120.00")
	028-32071	W-Style 8.00" Radius Horizontal 2.00" Track, Left (Roadside) (107.00")
	028-32072	W-Style 8.00" Radius Horizontal 2.00" Track, Right (Curbside) (107.00")
	028-32081	W-Style 8.00" Radius Horizontal 2.00" Track, Left (Roadside) (120.00")
	028-32082	W-Style 8.00" Radius Horizontal 2.00" Track, Right (Curbside) (120.00")
	028-32083	2.00" Vertical Track (95.00" Length)
	028-32084	2.00" Vertical Track (108.00" Length)

Product	Part Number	Description
	028-32085	2.00" Vertical Track w/Holes (95.00" Length)
	028-32086	2.00" Vertical Track w/Holes (108.00" Length)

**MISCELLANEOUS**

	025-10430	Nylon Belting (100 Yard Roll)
Image Not Available	025-10608	Stainless Chair Only For Keeper Assembly
	025-60000	Catch Box
	025-60100	Fork Lift Plate
	026-40600	Retainer Assembly
	027-20200	T-Style Winding Plug - Cast Aluminum
	027-20201	T-Style Bolt Plug - Cast Aluminum


## ROLL-UP DOOR FASTENERS

Table 8-14: Roll-Up Door Fasteners

Product	Part Number	Description
<b>RIVETS</b>		
Image Not Available	995-00111	Rivet (1.00") Zinc Plated Steel
	995-00112	Rivet (1.12") Zinc Plated Steel
	995-00113	Rivet (1.25") Zinc Plated Steel
	995-00114	Rivet (1.00") Stainless Steel
	995-00115	Rivet (1.12") Stainless Steel
	995-00116	Rivet (1.25") Stainless Steel
<b>BOLTS &amp; SCREWS</b>		
Image Not Available	991-00126	3/8" Hex Head Bolt
	991-00506	1.75" U-Bolt
Image Not Available	991-00609	5/16" Carriage Bolt
	996-01900	Dry Freight Door Screw
	991-00085	1/4" Hex Bolt (1.75")
	991-00400	1/4" - 20 X 1.25" Step Bolt (.75" Head)
	991-00401	1/4" - 20 X 1.50" Step Bolt (.75" Head)
	991-00402	1/4" - 20 X 1.25" Rib Neck Carriage Bolt (.56" Head)
Image Not Available	991-00700	1/4" - 20 X 1.75" Elevator Bolt

Product	Part Number	Description
---------	-------------	-------------

**NUTS**

Image Not Available	992-00005	5/16" Nut
	992-01101	5/16" Flanged Lock Nut
	992-00001	1/4" - 20 Hex Nut
	992-01100	1/4" - 20 Zinc Kep Nut

**WASHERS**

Image Not Available	993-00004	3/8" Washer
	993-00109	Zinc Washer
	993-00240	Steel Spacer Washer
	993-00703	Lock Washer, 5/16" Split
	993-00721	1/4" Split Lock Washer

**COTTER PINS**

Image Not Available	994-00002	1/4" Clevis Pin
	994-00105	Cotter Pin







*For information, updates, or corrections,  
please contact us at [support@trpparts.com](mailto:support@trpparts.com).*

*No part of this marketing material may be  
reproduced in any manner without written  
permission from TRP North America.*

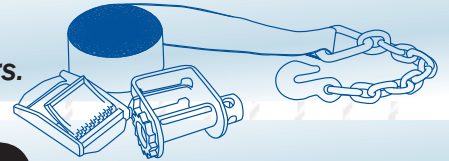
**TRP North America**

750 Houser Way N.  
Renton, WA 98057

[www.trpparts.com](http://www.trpparts.com)



Parts for all brands of trailers.



9

TRAILER PARTS<sup>®</sup>

# CARGO CONTROL

*Proven, reliable and  
always innovative.*

TRP<sup>®</sup> offers reliable aftermarket products that are designed and tested to exceed customers' expectations regardless of the trailer make, model or age.

## CARGO CONTROL Bars, Winches, & Straps





**TRAILER PARTS**

**Tested. Reliable. Guaranteed.**

### Cargo Control

Choosing the right replacement part or service for your vehicle—whether you own one, or a fleet—is one of the most important decisions you can make for your business. And, with tested TRP® parts it's an easy decision.

Regardless of the make you drive, TRP quality replacement parts are engineered to fit your truck, trailer or bus. Choose the parts that give you the best value for your business. Check them out at an approved TRP retailer near you.

*The cross reference information in this catalog is based upon data provided by several industry sources and our partners. While every attempt is made to ensure the information presented is accurate, we can bear no liability due to incorrect or incomplete information.*

### Product Availability

*Due to border issues and market demands, not all products are always available in every location. Check for availability in your area with your local TRP® Distributor.*

*No part of this marketing material may be reproduced in any manner without written permission from TRP North America.*

## CONTENTS

### KINEDYNE

<u>Bars &amp; Winches</u> .....	9-3
Bars .....	9-3
Cargo Bar Holder.....	9-4
Winches.....	9-4
<u>Straps</u> .....	9-5
Logistic.....	9-5
Ratchet .....	9-6
Tarp Tie .....	9-6
Winch.....	9-6

### TRP North America







750 Houser Way N.  
Renton, WA 98057

[www.trpparts.com](http://www.trpparts.com)

# KINEDYNE\*

## BARS & WINCHES


Table 9-1: Cargo Bars & Winches – Kinedyne

Product	Part Number	Description	Type	Comments
<b>BARS</b>				
	10033K1N	Combination Winch Bar, Chrome	Combination Winch	Chrome
	10032K1N	Combination Winch Bar, Painted	Combination Winch	Painted
	37032K1N	Ratchet Winch Bar	Ratchet Winch	
	10085K1N	Steel Saf-T-Lok Bar (90" - 105")	Saf-T-Lok	
	37031K1N	Winch Bar, w/ Knurled Handle, Chrome	Winch	Chrome
	37030	Winch Bar, w/ Knurled Handle, Painted	Winch	Painted




\* Information provided by Kinedyne Corp.

Product	Part Number	Description	Type	Comments
---------	-------------	-------------	------	----------

**CARGO BAR HOLDER**

	<p>10062K1N</p>	<p>BarTender® Cargo Bar Holder</p>		
---	-----------------	------------------------------------	--	--




**WINCHES**

	<p>1020K1N</p>	<p>Double L Standard Webbing Winch - Sliding (3608 Track Only)</p>	<p>Sliding</p>	
	<p>7820P2</p>	<p>Low Profile Portable Webbing Winch, w/ 2 Set Screws</p>	<p>Portable</p>	
	<p>1820P2</p>	<p>Portable Webbing Winch, w/ 2 Set Screws</p>	<p>Portable</p>	

Product	Part Number	Description	Type	Comments
	1820K1N	Standard Webbing Winch - Fixed	Fixed	
	3820K1N	Standard Webbing Winch - Sliding	Sliding	
	5820K1N	Storable Webbing Winch - Sliding	Sliding	

## STRAPS

Table 9-2: Cargo Straps – Kinedyne






Product	Part Number	Description	Width	Length
<b>LOGISTIC</b>				
	651201	12' Series E or A Logistic Cam Buckle Strap, w/ FE8306-1 Spring Fittings	2" Color Coded	12'
	641201	12' Series E or A Logistic Ratchet Strap, w/ FE8306-1 Spring Fittings	2" Color Coded	12'
	651601	16' Series E or A Logistic Cam Buckle Strap, w/ FE8306-1 Spring Fittings	2" Color Coded	16'

Product	Part Number	Description	Width	Length
	641601	16' Series E or A Logistic Ratchet Strap, w/ FE8306-1 Spring Fittings	2" Color Coded	16'




**RATCHET**

	512720	2" Ratchet Strap, w/ 1015 Flat Hooks - 27 ft.	2"	27'
	562720	2" RHINO Ratchet Strap, w/ 1015 Flat Hooks - 27 ft.	2"	27'
	513020	2" Ratchet Strap, w/ 1015 Flat Hooks - 30 ft.	2"	30'
	563020	2" RHINO Ratchet Strap, w/ 1015 Flat Hooks - 30 ft.	2"	30'

**TARP TIE**

	2210K1N	10" Rubber Tarp Tie (14" Overall Length, w/ Hooks Attached)		10"
	2215	15" Rubber Tarp Tie (19" Overall Length, w/ Hooks Attached)		15"
	2221K1N	21" Rubber Tarp Tie (25" Overall Length, w/ Hooks Attached)		21"
	2231K1N	31" Rubber Tarp Tie (35" Overall Length, w/ Hooks Attached)		31"
	2241K1N	41" Rubber Tarp Tie (45" Overall Length, w/ Hooks Attached)		41"

**WINCH**

	462721	4" RHINO Winch Strap, w/ 1021 Flat Hook - 27 ft.	4"	27'
	463021	4" RHINO Winch Strap, w/ 1021 Flat Hook - 30 ft.	4"	30"
	422721	4" Winch Strap, w/ 1021 Flat Hook - 27 ft.	4"	27'
	423021	4" Winch Strap, w/ 1021 Flat Hook - 30 ft.	4"	30'
	423010	4" Winch Strap, w/ 1021 V-Ring - 30 ft.	4"	30'



**NOTES**

A large rectangular area filled with a light blue grid pattern, intended for handwritten notes. The grid consists of small squares and covers most of the page's content area.



*For information, updates, or corrections,  
please contact us at [support@trpparts.com](mailto:support@trpparts.com).*

*No part of this marketing material may be  
reproduced in any manner without written  
permission from TRP North America.*

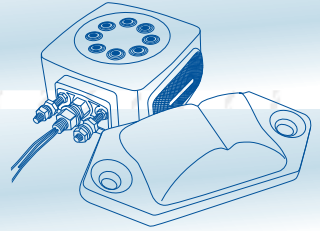
**TRP North America**

750 Houser Way N.  
Renton, WA 98057

[www.trpparts.com](http://www.trpparts.com)



Parts for all brands of trailers.



**10**

**TRAILER PARTS**

# LIGHTING

*Proven, reliable and  
always innovative.*

TRP® offers reliable aftermarket products that are designed and tested to exceed customers' expectations regardless of the trailer make, model or age.

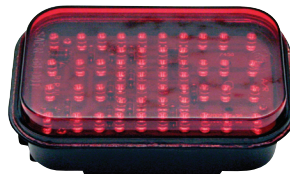
## LIGHTING LED, Incandescent Lamps, & Cross Reference



LL020109



LL072001



LL047702



LL044412



**Tested. Reliable. Guaranteed.**

## Lighting

Choosing the right replacement part or service for your vehicle—whether you own one, or a fleet—is one of the most important decisions you can make for your business. And, with tested TRP® parts it's an easy decision.

Regardless of the make you drive, TRP quality replacement parts are engineered to fit your truck, trailer or bus. Choose the parts that give you the best value for your business. Check them out at an approved TRP retailer near you.

*The cross reference information in this catalog is based upon data provided by several industry sources and our partners. While every attempt is made to ensure the information presented is accurate, we can bear no liability due to incorrect or incomplete information.*

### Product Availability

*Due to border issues and market demands, not all products are always available in every location. Check for availability in your area with your local TRP® Distributor.*

*No part of this marketing material may be reproduced in any manner without written permission from TRP North America.*

## CONTENTS

### LED LAMPS

Clearance & Marker Lamps . . . . .	10-5
1-1/4" x 2-1/2" Rectangle . . . . .	10-5
1-1/4" x 4" Rectangle . . . . .	10-5
1-7/8" x 6-1/4" Rectangle . . . . .	10-5
2" Round . . . . .	10-6
2" Round Beehive . . . . .	10-6
2" x 3" Oval . . . . .	10-6
2" x 3-7/8" Bull's-Eye . . . . .	10-7
2" x 4" Rectangle . . . . .	10-7
2" x 5-3/4" Rectangle . . . . .	10-7
2" x 5-7/8" Rectangle . . . . .	10-7
2-1/2" Round . . . . .	10-8
2-1/2" Round Beehive . . . . .	10-8
2-1/4" x 4-1/2" Rectangle . . . . .	10-8
2-1/4" x 6-1/2" Oval . . . . .	10-8
2-1/4" x 6-1/2" Rectangle . . . . .	10-9
3/4" x 3-3/8" Rectangle . . . . .	10-9
3/4" x 4" Rectangle . . . . .	10-9
37 LED Triangle . . . . .	10-10
LED Package . . . . .	10-10

### TRP North America

750 Houser Way N.  
Renton, WA 98057

[www.trpparts.com](http://www.trpparts.com)

<u>Mounting Accessories</u> . . . . .	10-11	Epton . . . . .	10-19
Bases . . . . .	10-11	Fleetguard / Nelson . . . . .	10-19
Bezels . . . . .	10-11	Fresh Start . . . . .	10-19
Grommets . . . . .	10-12	Gates Corp . . . . .	10-19
<u>Backup Lights</u> . . . . .	10-13	Grote Industries . . . . .	10-19
4" Round, 6" Oval, & 7" Round . . . . .	10-13	Harada . . . . .	10-20
<u>Multi-Light Harnesses &amp; Connectors</u> . . . . .	10-13	Inline . . . . .	10-20
<u>Stop, Turn, &amp; Tail Lamps</u> . . . . .	10-14	Jetco . . . . .	10-21
3" x 5" Rectangle . . . . .	10-14	KD/Manitou . . . . .	10-21
4" Round . . . . .	10-14	Maxxima . . . . .	10-21
4" Square . . . . .	10-15	Motorcraft . . . . .	10-22
4-7/8" x 7" Round . . . . .	10-15	NAPA . . . . .	10-22
6" Oval . . . . .	10-16	Peterson Mfg Co . . . . .	10-22
		RoadWorks Mfg Inc . . . . .	10-22
		Shell . . . . .	10-22
		Signal Stat . . . . .	10-22
		Truck-Lite . . . . .	10-22
		Union 76 . . . . .	10-23
		Uniroyal . . . . .	10-23
		Walker . . . . .	10-23

## INCANDESCENT LAMPS

<u>Marker</u> . . . . .	10-17
2" & 2-1/2" Round . . . . .	10-17
2-1/2" Rectangle . . . . .	10-17
4" & 6" Oblong . . . . .	10-17
4" Rectangle . . . . .	10-17
6" Rectangle . . . . .	10-18
Bull's Eye . . . . .	10-18
<u>Stop, Turn, &amp; Tail Lamps</u> . . . . .	10-18
4" Round . . . . .	10-18
6" Oblong . . . . .	10-18

## CROSS REFERENCE

<u>Lighting Cross Reference</u> . . . . .	10-19
ACDelco . . . . .	10-19
AP Parts . . . . .	10-19
Atlas Copco Inc . . . . .	10-19
Autopar . . . . .	10-19
AutoZone . . . . .	10-19
Dayco Industrial . . . . .	10-19
Dominion Air & Machinery Co . . . . .	10-19
Doms Auto Parts . . . . .	10-19
Durkee-Atwood . . . . .	10-19

## OEM-QUALITY PRODUCTS FOR CRITICAL COMPONENTS

### *THE LED ADVANTAGE*

- Light emitting diodes produce light without the use of a filament, making them a brighter, more durable, energy-efficient alternative to incandescent lighting

### *MORE DURABLE*

- 100,000 hour life equals a decade of normal use
- Virtually impervious to shock and vibration
- Completely sealed for protection from the elements
- Internal components are encapsulated in epoxy for resistance to moisture and corrosion
- All TRP® exterior lamps utilize UV-resistant polycarbonate lenses

### *MORE VISIBLE*

- Brightness increases vehicle and trailer conspicuity
- Instantaneous illumination means more reaction time for trailing vehicles

### *DOT APPROVED*

- Complies with FMVSS 108/CMVSS 108

### *ENERGY EFFICIENT*

Up to 85% less power consumption means more power for other vehicle applications

### *WARRANTY*

TRP® LED lamps are covered by a 10-year, unlimited miles replacement parts warranty to the original purchaser. The warranty does not apply to certain severe applications or chemical agents.

Other limitations and exceptions may apply. See your authorized dealer for details.



# LED LAMPS

See "Mounting Accessories" on page 10-11 for matching bezels.

## CLEARANCE & MARKER LAMPS

- Uses standard 2-pin connection.

Table 10-1: LED Lamps – Clearance & Marker

Part Number	Description	Base/Bezel
-------------	-------------	------------

**1-1/4" x  
2-1/2"  
RECTANGLE**



LL047301



LL047302

LL047301	3 LED, Amber	LL091110
LL042403	8 LED, Amber, Clear Lens	LL091110
LL047302	3 LED, Red	LL091110
LL042604	8 LED, Red, Clear Lens	LL091110

**1-1/4" x 4"  
RECTANGLE**



LL046301



LL046402

LL046301	12 LED, Amber	LL091010
LL042703	12 LED, Amber, Clear Lens	LL091010
LL046402	12 LED, Red	LL091010
LL042804	12 LED, Red, Clear Lens	LL091010

**1-7/8" x 6-1/4"  
RECTANGLE**



LL041904



LL047101



LL042002

LL046901	12 LED Peterbilt Style, Amber	
LL047003	12 LED Peterbilt Style, Amber, Clear Lens	
LL041802	12 LED Peterbilt Style, Red	
LL041904	12 LED Peterbilt Style, Red, Clear Lens	
LL047101	2 LED, Amber	
LL042002	2 LED, Red	

See "Mounting Accessories" on page 10-11 for matching bezels.

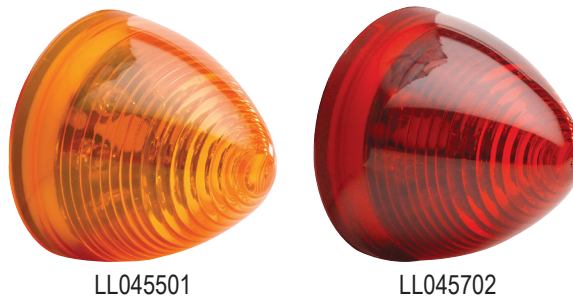
Part Number	Description	Base/Bezel
-------------	-------------	------------

**2" ROUND**



LL041201	1 LED, Amber	
LL041302	1 LED, Red	
LL045201	9 LED, Amber	GMX1615 or GMX1616
LL045103	9 LED, Amber, Clear Lens	GMX1615 or GMX1616
LL045302	9 LED, Red	GMX1615 or GMX1616
LL045404	9 LED, Red, Clear Lens	GMX1615 or GMX1616

**2" ROUND BEEHIVE**



LL045501	9 LED, Amber	GMX1615 or GMX1616
LL045603	9 LED, Amber, Clear Lens	GMX1615 or GMX1616
LL045702	9 LED, Red	GMX1615 or GMX1616
LL043503	9 LED, Red, Clear Lens	GMX1615 or GMX1616

**2" x 3" OVAL**



LL044701	2 LED Oval, 2 LED, Amber	GMX4304
LL044803	2 LED Oval, 2 LED, Amber, Clear Lens	GMX4304

See "Mounting Accessories" on page 10-11 for matching bezels.



Part Number	Description	Base/Bezel
LL044902	2 LED Oval, 2 LED, Red	GMX4304
LL045004	2 LED Oval, 2 LED, Red, Clear Lens	GMX4304

## 2" x 3-7/8" BULL'S-EYE

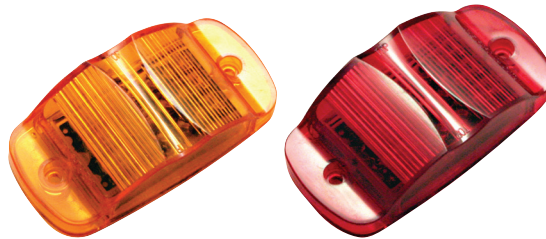


LL046501

LL046602

LL046501	13 LED Double Bull's-Eye, Amber	GMX8973
LL041403	13 LED Double Bull's-Eye, Amber, Clear Lens	GMX8973
LL046602	13 LED Double Bull's-Eye, Red	GMX8973
LL041504	13 LED Double Bull's-Eye, Red, Clear Lens	GMX8973

## 2" x 4" RECTANGLE



LL043201

LL043302

LL043201	14 LED, Amber, Combination Side Marker, P2	
LL043302	14 LED, Red, Combination Side Marker, P2	

## 2" x 5-3/4" RECTANGLE



LL044103

LL044001

LL044302

LL044103	12 LED, Amber, Clear Lens, w/ Hot Dog Bezel	
LL044001	12 LED, Amber, w/ Hot Dog Bezel	
LL044204	12 LED, Red, Clear Lens, w/ Hot Dog Bezel	
LL044302	12 LED, Red, w/ Hot Dog Bezel	

## 2" x 5-7/8" RECTANGLE



LL046701

LL046701	10 LED Super 21, Amber	
LL046802	10 LED Super 21, Red	

See "Mounting Accessories" on page 10-11 for matching bezels.

Part Number	Description	Base/Bezel
-------------	-------------	------------

**2-1/2" ROUND**



LL041009

LL041102

LL045801

LL045902

LL041009	1 LED, Amber, Reflective Lens	
LL041102	1 LED, Red, Reflective Lens	
LL045801	13 LED, Amber	
LL040203	13 LED, Amber, Clear Lens	GMX0101 or GMX0105
LL045902	13 LED, Red	
LL040304	13 LED, Red, Clear Lens	GMX0101 or GMX0105
LL040509	8 LED, Amber, Side Marker, Reflective Lens	GMX0101 or GMX0105
LL040702	8 LED, Red, Side Marker, Reflective Lens	GMX0101 or GMX0105

**2-1/2" ROUND BEEHIVE**



LL046001

LL040803

LL046102

LL046001	13 LED, Amber	
LL040803	13 LED, Amber, Clear Lens	GMX0101 or GMX0105
LL046102	13 LED, Red	
LL040904	13 LED, Red, Clear Lens	GMX0101 or GMX0105

**2-1/4" x 4-1/2" RECTANGLE**



LL043001

LL043102

LL043001	12 LED, Amber, 2 Bare Wires	
LL043102	12 LED, Red, 2 Bare Wires	

**2-1/4" x 6-1/2" OVAL**



LL047503

LL047401

LL042102

LL047201	4 LED, Amber	GMX4307
LL047303	4 LED, Amber, Clear Lens	GMX4307

See "Mounting Accessories" on page 10-11 for matching bezels.

Part Number	Description	Base/Bezel
LL047503	4 LED, Amber, Clear Reflective Lens	GMX4307
LL047401	4 LED, Amber, Reflective Lens	GMX4307
LL042102	4 LED, Red	GMX4307
LL042204	4 LED, Red, Clear Lens	GMX4307
LL042304	4 LED, Red, Clear Reflective Lens	GMX4307
LL047602	4 LED, Red, Reflective Lens	GMX4307

**2-1/4" x  
6-1/2"**

**RECTANGLE**



LL011901

LL011901	10 LED, Amber, Side Turn Signal	
----------	---------------------------------	--

**3/4" x 3-3/8"**

**RECTANGLE**



LL072001

LL072103

LL072401

LL072202

LL073004

LL072902

LL072001	2 LED, Amber, 2 Wires	
LL072103	2 LED, Amber, Clear Lens, 2 Wires	
LL072503	2 LED, Amber, Clear Lens, Diamond Base, 2 Wires	
LL072401	2 LED, Amber, Diamond Base, 2 Wires	
LL072611	2 LED, Blue, Clear Lens, Diamond Base, 2 Wires	
LL072812	2 LED, Green, Clear Lens, Diamond Base, 2 Wires	
LL072202	2 LED, Red, 2 Wires	
LL072304	2 LED, Red, Clear Lens, 2 Wires	
LL073004	2 LED, Red, Clear Lens, Diamond Base, 2 Wires	
LL072902	2 LED, Red, Diamond Base, 2 Wires	
LL072705	2 LED, White, Clear Lens, Diamond Base, 2 Wires	

**3/4" x 4"**

**RECTANGLE**



LL044601

LL044601	7 LED, Amber, Thin Line	
LL043802	7 LED, Red, Thin Line	

See "Mounting Accessories" on page 10-11 for matching bezels.

Part Number	Description	Base/Bezel
-------------	-------------	------------

**37 LED  
TRIANGLE**



LL021201



LL021303

LL021201	Side Marker, Amber	
LL021303	Side Marker, Clear	

**LED PACKAGE**

LL030101	Clearance Marker, LED Identification/Clearance Package	
----------	--	--

See "Mounting Accessories" on page 10-11 for matching bezels.

## MOUNTING ACCESSORIES

Table 10-2: LED Bases &amp; Bezels

Part Number	Description
<b>BASES</b>	
LL091010	1" x 4", Chrome
LL091110	2-1/2" x 1-1/4", Chrome
<b>BEZELS</b>	
GMX0101	2-1/2" Round
GMX0102	4" Round
GMX0104	6" Oval
GMX0105	2-1/2" Round w/ Visor
GMX0106	4" Round w/ Visor
GMX0107	6" Oval w/ Visor
GMX1615	2" Round
GMX1616	2" Round w/ Visor
GMX4304	3" x 2", Chrome
GMX4307	6-5/8" x 2-1/4", Chrome
GMX8973	Visor for Double Bull's-eye

Part Number	Description
-------------	-------------

**GROMMETS**



LL091210



LL091310



LL090710



LL091410



LL091510

LL091210	2" Black Vinyl
LL091310	2-1/2" Black Vinyl
LL090710	3" x 5" Black Rubber, Rectangular
LL091410	4" Black Vinyl
LL091510	6" Black Vinyl

## BACKUP/REVERSE LAMPS

- Low current use. Standard 3-pin connector, or Hard Wired with four inch pigtail.

Table 10-3: LED Backup Lamps

Part Number	Description	Base/Bezel	
4" ROUND, 6" OVAL, & 7" ROUND			
	LL044412	LL080305	LL047805
	LL044412	4" Round 45 LED, White, Clear Lens	GMX0102 or GMX0106
LL080305	6" Oval 45 LED, Grommet Mount, Hard Wired		
LL047805	7" Round 20 LED, White, Clear Lens		

## MULTI-LIGHT HARNESSES & CONNECTORS

- Harnesses offer fast and trouble-free light installation.
- No need to splice every light — harness saves time and labor.

Table 10-4: LED Multi-Light Harnesses & Connectors

Part Number	Description
	
	LL090510
LL090510	Pigtail, 2-Pin, Right Angle, 6" lead (for Clearance & Marker Lights)
LL090610	Pigtail, 3-Pin, Right Angle, 10" lead (for Stop, Turn, and Tail Lights)

## STOP, TURN, & TAIL LAMPS

- Hardwired, with standard 3-pin connector.
- Draws approximately 435 milliamps at 12.8 volts.

Table 10-5: LED Stop, Turn, & Tail (STT) Lamps

Part Number	Description	Base/Bezel
-------------	-------------	------------

### 3" x 5" RECTANGLE



LL011801

LL047702

LL011801	52 LED, Amber, Turn, Grommet Mount	
LL047702	52 LED, Red, Grommet Mount	

### 4" ROUND



LL011202

LL011402

LL010601

LL010301



LL010702

LL010804

LL010402

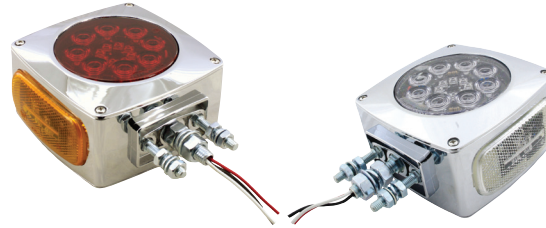
LL021101

LL011202	10 LED, Red, Grommet Mount, w/ Standard Plug	
LL011402	10 LED, Surface Mount	
LL010902	12 LED, Red, Grommet Mount	
LL010601	44 LED, Amber, Turn, Flange Mount	GMX0102 or GMX0106
LL011103	44 LED, Amber, Turn, Flange Mount, Clear Lens	GMX0102 or GMX0106
LL010301	44 LED, Amber, Turn, Grommet Mount	GMX0102 or GMX0106
LL011003	44 LED, Amber, Turn, Grommet Mount, Clear Lens	GMX0102 or GMX0106
LL010702	44 LED, Red, Flange Mount	GMX0102 or GMX0106
LL010804	44 LED, Red, Flange Mount, Clear Lens	GMX0102 or GMX0106
LL010402	44 LED, Red, Grommet Mount	GMX0102 or GMX0106
LL010504	44 LED, Red, Grommet Mount, Clear Lens	GMX0102 or GMX0106
LL021009	45 LED Double Sided, Red/Amber	
LL021101	45 LED Single Sided, Red	



Part Number	Description	Base/Bezel
LL011302	52 LED, Red, Grommet Mount	

**4" SQUARE**



LL020409

LL020309

LL020409	45 LED Double Sided, Red/Amber, Left *	
LL020109	45 LED Double Sided, Red/Amber, Left, Clear Lens *	
LL020509	45 LED Double Sided, Red/Amber, Right *	
LL020309	45 LED Double Sided, Red/Amber, Right, Clear Lens *	

\* Includes: Single or double post mounting and removable studs.

**4-7/8" x  
7" ROUND**



LL020601

LL020809

LL020714

LL020601	32 LED, Double Sided Lollipop, Amber/Amber	
LL020809	32 LED, Double Sided Lollipop, Red/Amber	
LL020714	32 LED, Double Sided Lollipop, Red/Amber, Clear Lens	

Part Number	Description	Base/Bezel
-------------	-------------	------------

6" OVAL



LL012802



LL043902



LL012401



LL012001



LL012502







LL012202

LL012802	10 LED, Red, Grommet Mount, w/ Standard Plug	
LL043902	10 LED, Red, Surface Mount, Bare Wire	
LL012401	52 LED, Amber, Turn, Flange Mount	GMX0104 or GMX0107
LL012603	52 LED, Amber, Turn, Flange Mount, Clear Lens	GMX0104 or GMX0107
LL012001	52 LED, Amber, Turn, Grommet Mount	GMX0104 or GMX0107
LL012103	52 LED, Amber, Turn, Grommet Mount, Clear Lens	GMX0104 or GMX0107
LL012502	52 LED, Red, Flange Mount	GMX0104 or GMX0107
LL012704	52 LED, Red, Flange Mount, Clear Lens	GMX0104 or GMX0107
LL012202	52 LED, Red, Grommet Mount	GMX0104 or GMX0107
LL012304	52 LED, Red, Grommet Mount, Clear Lens	GMX0104 or GMX0107

# INCANDESCENT LAMPS

## MARKER

Table 10-6: Incandescent Marker Lamps



Part Number	Description								
<b>2" &amp; 2-1/2"</b> <b>ROUND</b>	 <p style="text-align: center;">LB045902</p> <table border="1"> <tr> <td>LB045201</td> <td>2" Round, Amber, Incandescent</td> </tr> <tr> <td>LB045302</td> <td>2" Round, Red, Incandescent</td> </tr> <tr> <td>LB045801</td> <td>2-1/2" Round, Amber, Incandescent</td> </tr> <tr> <td>LB045902</td> <td>2-1/2" Round, Red, Incandescent</td> </tr> </table>	LB045201	2" Round, Amber, Incandescent	LB045302	2" Round, Red, Incandescent	LB045801	2-1/2" Round, Amber, Incandescent	LB045902	2-1/2" Round, Red, Incandescent
LB045201	2" Round, Amber, Incandescent								
LB045302	2" Round, Red, Incandescent								
LB045801	2-1/2" Round, Amber, Incandescent								
LB045902	2-1/2" Round, Red, Incandescent								
<b>2-1/2"</b> <b>RECTANGLE</b>	 <p style="text-align: center;">LB040113</p> <table border="1"> <tr> <td>LB046201</td> <td>Amber, Incandescent</td> </tr> <tr> <td>LB040113</td> <td>Clear, Incandescent</td> </tr> <tr> <td>LB042502</td> <td>Red, Incandescent</td> </tr> </table>	LB046201	Amber, Incandescent	LB040113	Clear, Incandescent	LB042502	Red, Incandescent		
LB046201	Amber, Incandescent								
LB040113	Clear, Incandescent								
LB042502	Red, Incandescent								
<b>4" &amp; 6"</b> <b>OBLONG</b>	 <p style="text-align: center;">LB047101      LB011901</p> <table border="1"> <tr> <td>LB047101</td> <td>4" Oblong, w/ Bezel, Incandescent</td> </tr> <tr> <td>LB011901</td> <td>6" Oblong, Middle Side Marker, Amber, Incandescent</td> </tr> </table>	LB047101	4" Oblong, w/ Bezel, Incandescent	LB011901	6" Oblong, Middle Side Marker, Amber, Incandescent				
LB047101	4" Oblong, w/ Bezel, Incandescent								
LB011901	6" Oblong, Middle Side Marker, Amber, Incandescent								
<b>4" RECTANGLE</b>	 <p style="text-align: center;">LB046301      LB046402</p> <table border="1"> <tr> <td>LB046301</td> <td>Amber, Incandescent</td> </tr> <tr> <td>LB046402</td> <td>Red, Incandescent</td> </tr> </table>	LB046301	Amber, Incandescent	LB046402	Red, Incandescent				
LB046301	Amber, Incandescent								
LB046402	Red, Incandescent								

<i>Part Number</i>		<i>Description</i>
<b>6" RECTANGLE</b>		
		LB046702
LB046701	Amber, Incandescent	
LB046702	Red, Incandescent	

<b>BULL'S EYE</b>		
		LB046502
LB046501	Amber, Incandescent	
LB046502	Red, Incandescent	

## STOP, TURN, & TAIL LAMPS

Table 10-7: Incandescent Stop, Turn, & Tail Lamps

<i>Part Number</i>		<i>Description</i>
<b>4" ROUND</b>		
		LB010402
LB010402	4" Round, Grommet Mount, Red, Incandescent	
<b>6" OBLONG</b>		
		LB012001
LB012001	6" Oblong, Amber, Incandescent	
LB012202	6" Oblong, Red, Incandescent	

# CROSS REFERENCE

## LIGHTING CROSS REFERENCE

Table 10-8: LED & Incandescent  
Lighting Cross Reference

Mfg. Part Number	TRP Part Number
------------------	-----------------

### ACDELCO

26007X	LL091510
--------	----------

### AP PARTS

94902	LL090510
94993	LL090610

### ATLAS COPCO INC

MH700	LL091510
MH-700	LL091510

### AUTOPAR

RH222	LL091510
-------	----------

### AUTOZONE

658	LL091510
-----	----------

### DAYCO INDUSTRIAL

70644	LL091510
-------	----------

### DOMINION AIR & MACHINERY Co

73-7807	LL091310
73-7822	LL091410
73-7826	LL091510
73-7855	LL091110
76-4073	LL090510

### DOMS AUTO PARTS

737822	LL091410
737826	LL091510
764073	LL090510
764109	LL090610

Mfg. Part Number	TRP Part Number
------------------	-----------------

### DURKEE-ATWOOD

MR841	LL091510
-------	----------

### EPTON

MH412	LL091510
-------	----------

### FLEETGUARD / NELSON

914001A	LL090610
---------	----------

### FRESH START

60700	LL091510
-------	----------

### GATES CORP

20598	LL091510
-------	----------

### GROTE INDUSTRIES

43980	LL091110
45582	LL047201
45582	LL047401
45583	LL047602
45583	LL042102
47082	LL047301
47082	LL047302
47083	LL047301
47242	LL043802
47243	LL044601
47252	LL046901
47252	LL041802
47253	LL046901
47253	LL047101
66843	LL090610
67000	LL090610
67050	LL090510
67050	LL090510
67090	LL090610
91400	LL091310
91400	LL091310
91740	LL091410
91740	LL091410
92120	LL091210
92420	LL091510
92420	LL091510
94180	LL090710
47242GR0	LL043802
47243GR0	LL044601

Mfg. Part Number	TRP Part Number
------------------	-----------------

47252GR0	LL046901
47252GR0	LL041802
47252GR0	LL046901
47252GR0	LL041802
47253GR0	LL046901
47253GR0	LL047101
67090GR0	LL090610
67090GR0	LL090610
92120GR0	LL091210
92120GR0	LL091210
92120GR0	LL091210
G1032	LL045902
G1032	LL045902
G1033	LL045801
G1033	LL045801
G1902	LL046301
G1902	LL046402
G1902	LL046301
G1902	LL046402
G1903	LL046301
G1903	LL046301
G2102	LL046802
G2102	LL046802
G2103	LL046701
G2103	LL046701
G3002	LL045302
G3002	LL045302
G3003	LL045201
G3003	LL045201
G3092	LL045702
G3092	LL045702
G3093	LL045501
G3093	LL045501
G4002	LL010402
G4002GR0	LL010402
G4003	LL010301
G4003	LL010301
G4602	LL046602
G4602	LL046602
G4603	LL046501
G4603	LL046501
G6002	LL012202
G6002	LL012202
G6003	LL012001

Mfg. Part Number	TRP Part Number
G6003GR0	LL012001

**HARADA**

90734	LL091310
90735	LL090510
90742	LL091410

**INLINE**

5000K1NL	LL030101
PL07398	LL021201
PL07398CA	LL021303
PL6916A	LL072001
PL6916AC	LL072103
PL6916R	LL072202
PL6916RC	LL072304
PL6917A	LL072401
PL6917AC	LL072503
PL6917BC	LL072611
PL6917CC	LL072705
PL6917GC	LL072812
PL6917R	LL072902
PL6917RC	LL073004
PL7000AR	LL021009
PL7000CRAL3	LL020109
PL7000CRAR3	LL020309
PL7000R	LL021101
PL7000RAL3	LL020409
PL7000RAR3	LL020509
PL7002AA	LL020601
PL7002CRA	LL020714
PL7002RA	LL020809
PL7100A	LL045801
PL7100A	LL045801
PL7100AC	LL040203
PL7100R	LL045902
PL7100R	LL045902
PL7100RC	LL040304
PL7101AR	LL040509
PL7101RR	LL040702
PL7102A	LL046001
PL7102A	LL046001
PL7102AC	LL040803
PL7102R	LL046102
PL7102R	LL046102

Mfg. Part Number	TRP Part Number
PL7102RC	LL040904
PL7103AR	LL041009
PL7103RR	LL041102
PL7104A	LL041201
PL7104R	LL041302
PL7120A	LL046501
PL7120A	LL046501
PL7120AC	LL041403
PL7120R	LL046602
PL7120R	LL046602
PL7120RC	LL041504
PL7130A	LL041802
PL7130A	LL046901
PL7130A	LL047101
PL7130A	LL046901
PL7130AC	LL047003
PL7130R	LL041802
PL7130R	LL041802
PL7130R	LL046901
PL7130RC	LL041904
PL7131A	LL047101
PL7131A	LL046901
PL7131A	LL047101
PL7131R	LL042002
PL7140A	LL047201
PL7140AC	LL047303
PL7140R	LL042102
PL7140RC	LL042204
PL7141A	LL047401
PL7141AC	LL047503
PL7141R	LL047602
PL7141RC	LL042304
PL7150A	LL047302
PL7150A	LL047301
PL7150A	LL047301
PL7150AC	LL042403
PL7150R	LL047302
PL7150R	LL047302
PL7150R	LL047301
PL7150RC	LL042604
PL7160A	LL044701
PL7160AC	LL044803
PL7160R	LL044902
PL7160RC	LL045004

Mfg. Part Number	TRP Part Number
PL7170A	LL011901
PL7190A	LL046301
PL7190A	LL046402
PL7190A	LL046301
PL7190AC	LL042703
PL7190R	LL046402
PL7190R	LL046402
PL7190R	LL046301
PL7190RC	LL042804
PL7192A	LL043001
PL7192R	LL043102
PL721A	LL046701
PL721A	LL046701
PL721R	LL046802
PL721R	LL046802
PL7260A	LL043201
PL7260A	LL043201
PL7260R	LL043302
PL7260R	LL043302
PL7300A	LL045201
PL7300A	LL045201
PL7300AC	LL045103
PL7300R	LL045302
PL7300R	LL045302
PL7300RC	LL045404
PL7302A	LL045501
PL7302A	LL045501
PL7302AC	LL045603
PL7302R	LL045702
PL7302R	LL045702
PL7302RC	LL043503
PL735A	LL044601
PL735A	LL044601
PL735R	LL043802
PL735R	LL043802
PL7400A	LL010301
PL7400A	LL010301
PL7400AC	LL011003
PL7400R	LL010402
PL7400R	LL010402
PL7400RC	LL010504
PL7401A	LL010601
PL7401AC	LL011103
PL7401R	LL010702

Mfg. Part Number	TRP Part Number
PL7401RC	LL010804
PL7402R	LL010402
PL7403R	LL010902
PL7404R	LL011202
PL7406R	LL011302
PL7408R	LL011402
PL7440A	LL010301
PL7450A	LL011801
PL7450R	LL047702
PL7600A	LL012001
PL7600A	LL012001
PL7600AC	LL012103
PL7600R	LL012202
PL7600R	LL012202
PL7600RC	LL012304
PL7601A	LL012401
PL7601AC	LL012603
PL7601R	LL012502
PL7601RC	LL012704
PL7602C	LL080305
PL7602R	LL012802
PL7604R	LL043902
PL7901A	LL044001
PL7901CA	LL044103
PL7901CR	LL044204
PL7901R	LL044302
PL7905	LL091010
PL7910	LL091110
PL7910	LL091110
PL7920	LL091210
PL7920	LL091210
PL7925	LL091310
PL7925	LL091310
PL7940	LL091410
PL7940	LL091410
PL7941	LL047805
PL7941GC	LL044412
PL7960	LL091510
PL7960	LL091510
PL7990	LL090510
PL7990	LL090510
PL7995	LL090610
PL7995	LL090610
PL845700	LL090710

Mfg. Part Number	TRP Part Number
<b>JETCO</b>	
10018	LL045702
10211	LL046602
16002	LL045302
17002	LL045902
19000	LL046402
41002	LL010402
10018A	LL045501
10019A	LL046001
10019R	LL046102
10211A	LL046501
16002A	LL045201
17002A	LL045801
19000A	LL046301
41002A	LL010301
60002/61002	LL012202
60002/61002	LL012502
60002A/610002A	LL012401
60002A/610002A	LL012001

Mfg. Part Number	TRP Part Number
<b>KD/MANITOU</b>	
43826-201	LL091410
44752-201	LL091510
93170-001	LL090610
93661-305	LL091110
93682-001	LL090510

Mfg. Part Number	TRP Part Number
<b>MAXXIMA</b>	
M09100R	LL045302
M09100Y	LL045201
M09100YCL	LL045103
M09105R	LL045702
M09105Y	LL045501
M10201R	LL046102
M11201A	LL046001
M11300R	LL045902
M11300Y	LL045801
M16280YCL	LL045103
M20320R	LL047301
M20320R	LL047302
M20320Y	LL047301
M20325	LL091110
M20330R	LL046802

Mfg. Part Number	TRP Part Number
M20330Y	LL046701
M20332R	LL046901
M20332R	LL041802
M20332RCL	LL041904
M20332Y	LL047101
M20332Y	LL046901
M20332YCL	LL047003
M20340R	LL043802
M20340Y	LL044601
M20350R	LL046301
M20350R	LL046402
M20350RCL	LL042804
M20350Y	LL046301
M20350YCL	LL042703
M20355	LL091010
M23012R	LL046602
M23012Y	LL046501
M23015R	LL043302
M23015Y	LL043201
M36180R	LL044902
M36180YCL	LL044803
M40120R	LL010702
M42100Y	LL010301
M42120R	LL010702
M42200R	LL047702
M42200Y	LL011801
M42328R	LL021009
M45700	LL090710
M50100	LL091310
M50100-B	LL091310
M50300	LL091210
M50300-B	LL091210
M50400	LL091410
M50400-B	LL091410
M50600	LL091510
M50900	LL090610
M50950	LL090510
M54100R	LL010402
M56100R	LL010402
M60100Y	LL012001
M63100R	LL012202
M63100Y	LL012001
M63150	LL080305
M72270R	LL044302

Mfg. Part Number	TRP Part Number
M72270RCL	LL044204
M72270Y	LL044001
M72270YCL	LL044103

**MOTORCRAFT**

KM-490	LL091510
KM490	LL091510

**NAPA**

7362	LL091510
9119	LL091310
9122	LL090510
9127	LL091410
9157	LL091510
9381	LL091110

**PETERSON MFG Co**

142-49	LL090510
143-18	LL091310
150-10	LL091110
421-18	LL091510
421-491	LL090610
426-18	LL091410
B421-18	LL091510

**ROADWORKS MFG INC**

08045	GMX1616
08200	GMX1616
08201	GMX1615

**SHELL**

2039	LL091510
------	----------

**SIGNAL STAT**

1506	LL043302
9119	LL091310
9122	LL090510
9127	LL091410
9128	LL090610
9157	LL091510
9381	LL091110
1050-3S1G	LL045902
1050A3S1G	LL045801
1505-3	LL043302
1505A-3	LL043201
1506A	LL043201

Mfg. Part Number	TRP Part Number
1950A3S1G	LL046301
1960-3S1G	LL046402
2660-3S1G	LL046602
2660A3S1G	LL046501
3050-3S1G	LL045302
3050A3S1G	LL045201
4050-3S1G	LL010402
6050-3S1G	LL012202

**TRUCK-LITE**

00791	LL091110
1050	LL045902
1560	LL047302
1560	LL047301
1960	LL046301
1960	LL046402
2660	LL046602
3050	LL045302
4050	LL010402
6050	LL012202
10700	LL091310
15405	LL091110
15409	LL091110
30700	LL091210
40700	LL091410
60700	LL091510
94902	LL090510
94924	LL090510
94993	LL090610
00791TLT	LL091110
10276R	LL046102
10276R	LL046102
10276Y	LL046001
10276Y	LL046001
1050-3	LL045902
1050-3S1G	LL045902
1050A	LL045801
1050AS1G	LL045801
10700TLT	LL091310
1560-3SIG	LL047302
1560A	LL047301
1560A	LL047301
1560R	LL047302
19251R	LL046402

Mfg. Part Number	TRP Part Number
19251Y	LL046402
19251Y	LL046301
1960A	LL046301
1960A	LL046301
1960TLT	LL046402
26310R	LL043302
26310R	LL043302
26310Y	LL043201
26310Y	LL043201
2660A	LL046501
2660ATLT	LL046501
2660TLT	LL046602
30276R	LL045702
30276R	LL045702
30276Y	LL045501
30276Y	LL045501
3050A	LL045201
3050A	LL045201
3050TLT	LL045302
30700TLT	LL091210
44233Y	LL010301
45252R	LL047702
45252Y	LL011801
6050-3	LL012202
6050-3S1G	LL012202
6050A	LL012001
D1050A	LL045801
SIG 1050A	LL045801
SIG 1050A	LL045902
SIG 1560A	LL047302
SIG 1560A	LL047301
SIG 2660	LL046602
SIG 2660A	LL046501
SIG 3050	LL045302
SIG 3050A	LL045201
SIG 6050	LL012202
SIG 6050A	LL012001
TL 10276R	LL046102
TL 10276Y	LL046001
TL 10700	LL091310
TL 19251Y	LL046402
TL 30276R	LL045702
TL 30276Y	LL045501
TL 30700	LL091210



<i>Mfg. Part Number</i>	<i>TRP Part Number</i>
TL 40700	LL091410
TL 60700	LL091510
TL 94902	LL090510
TL 94993	LL090610

**UNION 76**

548	LL091510
-----	----------

**UNIROYAL**

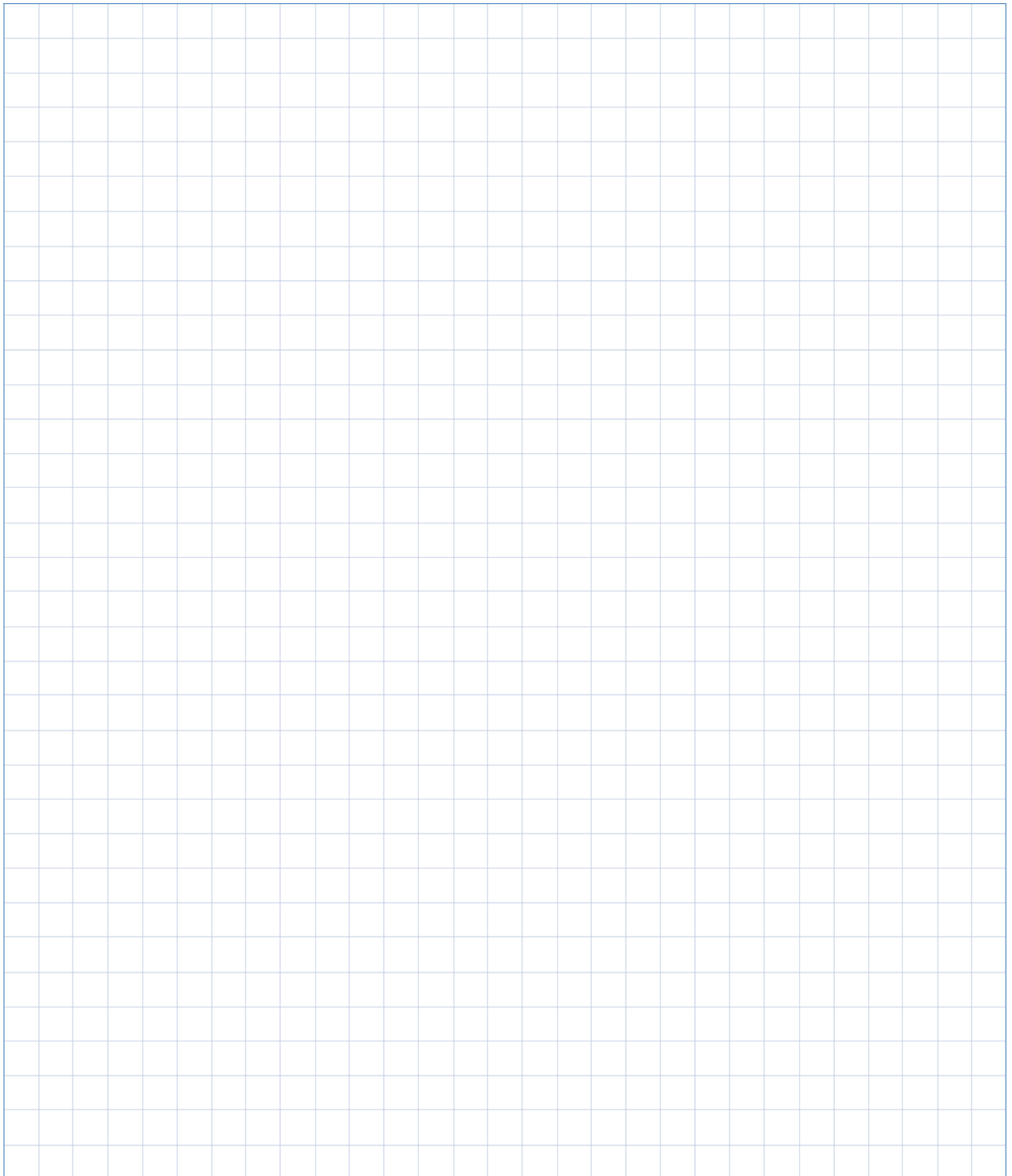
MC41	LL091510
------	----------

**WALKER**

40400	LL090610
-------	----------

**NOTES**

A large rectangular area filled with a light blue grid pattern, intended for taking notes. The grid consists of approximately 25 columns and 35 rows of small squares.





*For information, updates, or corrections,  
please contact us at [support@trpparts.com](mailto:support@trpparts.com).*

*No part of this marketing material may be  
reproduced in any manner without written  
permission from TRP North America.*

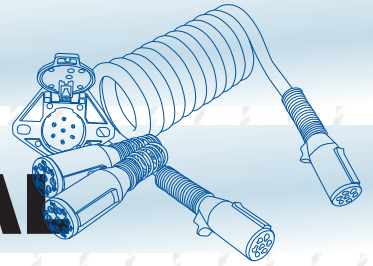
**TRP North America**

750 Houser Way N.  
Renton, WA 98057

[www.trpparts.com](http://www.trpparts.com)



Parts for all brands of trailers.



**11**

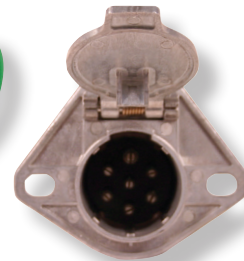
TRAILER PARTS<sup>®</sup>

**ELECTRICAL**

*Proven, reliable and  
always innovative.*

TRP<sup>®</sup> offers reliable aftermarket products that are designed and tested to exceed customers' expectations regardless of the trailer make, model or age.

## **ELECTRICAL Cables, Plugs, & Cross Reference**





**TRAILER PARTS**

**Tested. Reliable. Guaranteed.**

**Electrical**

Choosing the right replacement part or service for your vehicle—whether you own one, or a fleet—is one of the most important decisions you can make for your business. And, with tested TRP® parts it’s an easy decision.

Regardless of the make you drive, TRP quality replacement parts are engineered to fit your truck, trailer or bus. Choose the parts that give you the best value for your business. Check them out at an approved TRP retailer near you.

*The cross reference information in this catalog is based upon data provided by several industry sources and our partners. While every attempt is made to ensure the information presented is accurate, we can bear no liability due to incorrect or incomplete information.*

**Product Availability**

*Due to border issues and market demands, not all products are always available in every location. Check for availability in your area with your local TRP® Distributor.*

*No part of this marketing material may be reproduced in any manner without written permission from TRP North America.*

**CONTENTS**

**CABLES & PLUGS**

<u>7-Way Coiled Cables</u> .....	11-4
12' .....	11-4
15' .....	11-4
<u>7-Way Straight Cables</u> .....	11-5
10' .....	11-5
12' .....	11-5
15' .....	11-5
<u>Plugs</u> .....	11-6

**CROSS REFERENCE**

<u>Cables &amp; Plugs</u> .....	11-7
Alliance Parts .....	11-7
Haldex .....	11-7
Inline .....	11-7
Philatron International .....	11-7
Phillips Industries .....	11-7
Sloan Transportation Products .....	11-7
Tectran .....	11-8
Tramec .....	11-8

**TRP North America**

750 Houser Way N.  
Renton, WA 98057

[www.trpparts.com](http://www.trpparts.com)

## CABLES & PLUGS – FEATURES & BENEFITS

### **TRP® COILED ELECTRICAL ASSEMBLIES**

The assemblies provide power to the trailer for lights, ABS, interior lighting and trailer weighing or tracking systems.

12' cables are typically used for dollies and day cabs. 15' cables are designed for over-the-road and tractortrailers with pogo sticks or tracker bars where a sliding fifth wheel is used.

Electrical assemblies should be greased with dielectric grease each time they are disconnected to ensure proper corrosion protection.

- Designed for trailers with ABS systems
- 8 gauge ground wire to handle heavy electrical loads
- Large grips on plug designed for use with gloves
- Machine-crimped pins offer great protection against wire pull-out
- 12' designed for dollies & day cabs
- 15' designed for use with pogo sticks or tracker bars



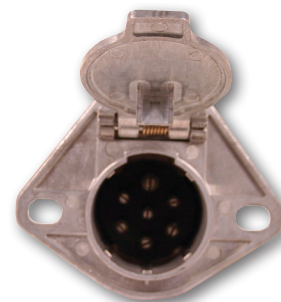
### **TRP® 7-WAY PLUG**

- Large finger grips for easy coupling/uncoupling
- Strong Cable Guard Spring to support heavy cables
- Locking tab to provide solid plug to receptacle connection
- Made with Heavy Duty Zinc Die-Cast housings



### **TRP® 7-WAY RECEPTACLE**





- 2 elongated holes for easy mounting
- Split pins to ensure connectivity to the plug
- Locking tab to provide solid receptacle to plug connection
- Made with Heavy Duty Zinc Die-Cast housings



# CABLES & PLUGS

## 7-WAY COILED CABLES

Table 11-1: Electrical Cables – Coiled

Part Number	Description	Length	Plug Type	Wire Type
<div style="display: flex; justify-content: space-around; align-items: center;"> <div style="text-align: center;">  <p>PE12800</p> </div> <div style="text-align: center;">  <p>PE12300</p> </div> <div style="text-align: center;">  <p>PE12700</p> </div> <div style="text-align: center;">  <p>PE12900</p> </div> </div>				
PE12800	12' ABS Electrical Coiled Cable, 1/8, 2/10 & 4/12ga, w/ Metal Plugs	12 ft.	Metal	7-Way: 8ga (1), 10ga (2), 12ga (4)
PE12300	12' ABS Electrical Coiled Cable, 1/8, 2/10 & 4/12ga, w/ Nylon Plugs	12 ft.	Nylon	7-Way: 8ga (1), 10ga (2), 12ga (4)
PE12340	12' ABS Electrical Coiled Cable, 1/8, 2/10 & 4/12ga, w/ Nylon Plugs & 40" Lead	12 ft.	Nylon	7-Way: 8ga (1), 10ga (2), 12ga (4)
PE12600	12' Electrical Coiled Cable, Heavy Duty, 1/10 & 6/12ga, w/ Metal Plugs	12 ft.	Metal	7-Way: 10ga (1), 12ga (6)
PE12700	12' Electrical Coiled Cable, Economy, 1/12 & 6/14ga, w/ Metal Plugs	12 ft.	Metal	7-Way: 12ga (1), 14ga (6)
PE12900	12' ISO Electrical Coiled Cable, 1/8, 2/10 & 4/12ga, w/ Metal Plugs	12 ft.	Metal	7-Way: 8ga (1), 10ga (2), 12ga (4)

15'



PE15170

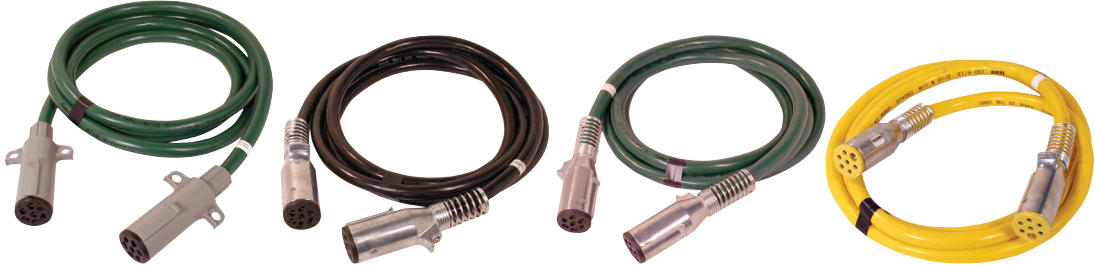
PE15800	15' ABS Electrical Coiled Cable, 1/8, 2/10 & 4/12ga, w/ Metal Plugs	15 ft.	Metal	7-Way: 8ga (1), 10ga (2), 12ga (4)
PE15840	15' ABS Electrical Coiled Cable, 1/8, 2/10 & 4/12ga, w/ Metal Plugs & 48" Lead	15 ft.	Metal	7-Way: 8ga (1), 10ga (2), 12ga (4)
PE15870	15' ABS Electrical Coiled Cable, 1/8, 2/10 & 4/12ga, w/ Metal Plugs & 72" Lead	15 ft.	Metal	7-Way: 8ga (1), 10ga (2), 12ga (4)
PE15340	15' ABS Electrical Coiled Cable, 1/8, 2/10 & 4/12ga, w/ Nylon Plugs & 40" Lead	15 ft.	Nylon	7-Way: 8ga (1), 10ga (2), 12ga (4)
PE15370	15' ABS Electrical Coiled Cable, 1/8, 2/10 & 4/12ga, w/ Nylon Plugs & 72" Lead	15 ft.	Nylon	7-Way: 8ga (1), 10ga (2), 12ga (4)
PE15170	15' ABS Electrical Coiled Cable, 1/8, 2/10 & 4/12ga, w/ Nylon Plugs & 72" Lead	15 ft.	Nylon	7-Way: 8ga (1), 10ga (2), 12ga (4)
PE15700	15' Electrical Coiled Cable, Economy, 1/12 & 6/14ga, w/ Metal Plugs	15 ft.	Metal	7-Way: 12ga (1), 14ga (6)
PE15600	15' Electrical Coiled Cable, Heavy Duty, 1/10 & 6/12ga, w/ Metal Plugs	15 ft.	Metal	7-Way: 10ga (1), 12ga (6)



Part Number	Description	Length	Plug Type	Wire Type
PE15670	15' Electrical Coiled Cable, Heavy Duty, 1/10 & 6/12ga, w/ Metal Plugs & 72" Lead	15 ft.	Metal	7-Way: 10ga (1), 12ga (6)
PE15900	15' ISO Electrical Coiled Cable, 1/8, 2/10 & 4/12ga, w/ Metal Plugs	15 ft.	Metal	7-Way: 8ga (1), 10ga (2), 12ga (4)
PE15440	15' ISO Electrical Coiled Cable, 1/8, 2/10 & 4/12ga, w/ Metal Plugs & 40" Lead	15 ft.	Metal	7-Way: 8ga (1), 10ga (2), 12ga (4)
PE15940	15' ISO Electrical Coiled Cable, 1/8, 2/10 & 4/12ga, w/ Metal Plugs & 48" Lead	15 ft.	Metal	7-Way: 8ga (1), 10ga (2), 12ga (4)
PE15400	15' ISO Electrical Coiled Cable, 1/8, 2/10 & 4/12ga, w/ Nylon Plugs	15 ft.	Nylon	7-Way: 8ga (1), 10ga (2), 12ga (4)

## 7-WAY STRAIGHT CABLES

Table 11-2: Electrical Cables – Straight

Part Number	Description	Length	Plug Type	Wire Type
				
<p><b>10'</b></p> <p>PE10350                      PE10650                      PE10850                      PE10950</p>				
PE10350	10' ABS Electrical Straight Cable, 1/8, 2/10 & 4/12ga, w/ Nylon Plugs	10 ft.	Nylon	7-Way: 8ga (1), 10ga (2), 12ga (4)
PE10650	10' Electrical Straight Cable, Heavy Duty, 1/10 & 6/12ga, w/ Metal Plugs	10 ft.	Metal	7-Way: 10ga (1), 12ga (6)
PE10850	10' ISO Electrical Straight Cable, 1/8, 2/10 & 4/12ga, w/ Metal Plugs	10 ft.	Metal	7-Way: 8ga (1), 10ga (2), 12ga (4)
PE10950	10' ISO Electrical Straight Cable, 1/8, 2/10 & 4/12ga, w/ Metal Plugs	10 ft.	Metal	7-Way: 8ga (1), 10ga (2), 12ga (4)
PE10450	10' ISO Electrical Straight Cable, 1/8, 2/10 & 4/12ga, w/ Nylon Plugs	10 ft.	Nylon	7-Way: 8ga (1), 10ga (2), 12ga (4)
PE10150	10' Straight Heavy Duty Electrical Cable, 1/12 & 6/14ga, w/ Nylon Plugs	10 ft.	Nylon	7-Way: 12ga (1), 14ga (6)

### 12'



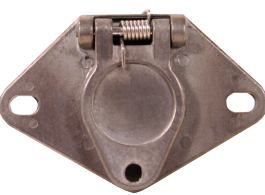


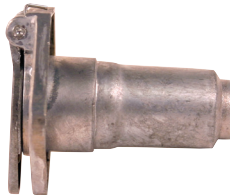
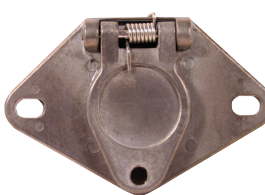


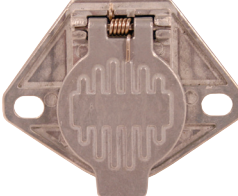
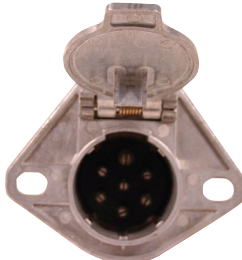

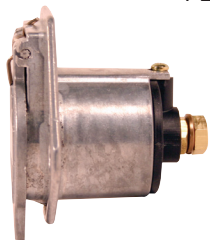
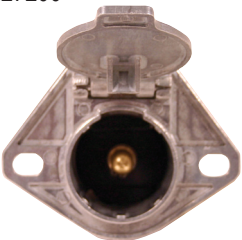
PE12850	12' ABS Electrical Straight Cable, 1/8, 2/10 & 4/12ga, w/ Metal Plugs	12 ft.	Metal	7-Way: 8ga (1), 10ga (2), 12ga (4)
PE12350	12' ABS Electrical Straight Cable, 1/8, 2/10 & 4/12ga, w/ Nylon Plugs	12 ft.	Nylon	7-Way: 8ga (1), 10ga (2), 12ga (4)
PE12650	12' Electrical Straight Cable, Heavy Duty, 1/10 & 6/12ga, w/ Metal Plugs	12 ft.	Metal	7-Way: 10ga (1), 12ga (6)
PE12950	12' ISO Electrical Straight Cable, 1/8, 2/10 & 4/12ga, w/ Metal Plugs	12 ft.	Metal	7-Way: 8ga (1), 10ga (2), 12ga (4)
PE12450	12' ISO Electrical Straight Cable, 1/8, 2/10 & 4/12ga, w/ Nylon Plugs	12 ft.	Nylon	7-Way: 8ga (1), 10ga (2), 12ga (4)

### 15'

PE15650	15' Electrical Straight Cable, Heavy Duty 1/10 & 6/12ga, w/ Metal Plugs	15 ft.	Metal	7-Way: 10ga (1), 12ga (6)
PE15150	15' Electrical Straight Cable, Heavy Duty, 1/10 & 6/12ga, w/ Nylon Plugs	15 ft.	Nylon	7-Way: 10ga (1), 12ga (6)
PE15950	15' ISO Electrical Straight Cable, 1/8, 2/10 & 4/12ga, w/ Metal Plugs	15 ft.	Metal	7-Way: 8ga (1), 10ga (2), 12ga (4)
PE15850	15" ABS Electrical Straight Cable, 1/8, 2/10 & 4/12ga, w/ Metal Plugs	15 ft.	Metal	7-Way: 8ga (1), 10ga (2), 12ga (4)

## PLUGS

Table 11-3: Electrical Plugs &amp; Receptacles

Part Number	Description	Plug Type	Wire Type	
PE24100				
PE26100				
PE27100				
				
PE24100	4-Way Metal Plug	Metal	4-Way	
PE24200	4-Way Receptacle, Zinc Die Cast Housing, 2-Hole	Metal	4-Way	
PE26100	6-Way Plug, Zinc Die Cast Housing, Wire Insertion	Metal	6-Way	
PE26200	6-Way Receptacle, Zinc Die Cast Housing, 2-Hole	Metal	6-Way	
PE27100	7-Way Plug, Zinc Die Cast Housing, Wire Insertion	Metal	7-Way	
PE27200	7-Way Receptacle, Zinc Die Cast Housing, 2-Hole	Metal	7-Way	
PE20400	Rubber Boot, 7-Way Receptacle	—	7-Way	
PE21100	Single Pole Metal Plug	Metal	Single Pole	
PE21200	Single Pole Receptacle, Zinc Die Cast Housing, 2-Hole	Metal	Single Pole	

# CROSS REFERENCE

## CABLES & PLUGS

Table 11-4: Electrical Cables & Plugs  
Cross Reference

Mfg. Part Number	TRP Part Number
------------------	-----------------

### ALLIANCE PARTS

ABP/N54A-SF155CE-72	PE15170
ABP/N54A-SF6WP	PE26100
ABP/N54A-SF6WS	PE26200
ABP/N54A-SF7WPSAE	PE27100
ABP/N54A-SF7WPSAE	PE27200

### HALDEX

B205010	PE20400
BE23101	PE21200
BE23102	PE21100
BE23402	PE24200
BE23403	PE24100
BE23602	PE26200
BE23604	PE26100
BE23703	PE27200
BE23784	PE27100
BE27070	PE12300
BE27072	PE15340

### INLINE

PE1015	PE10150
PE1035	PE10350
PE1045	PE10450
PE1065	PE10650
PE1085	PE10850
PE1095	PE10950
PE1230	PE12300
PE1234	PE12340
PE1235	PE12350
PE1245	PE12450
PE1260	PE12600
PE1265	PE12650

Mfg. Part Number	TRP Part Number
PE1270	PE12700
PE1280	PE12800
PE1285	PE12850
PE1290	PE12900
PE1295	PE12950
PE1515	PE15150
PE1517	PE15170
PE1534	PE15340
PE1537	PE15370
PE1540	PE15400
PE1544	PE15440
PE1560	PE15600
PE1565	PE15650
PE1567	PE15670
PE1570	PE15700
PE1580	PE15800
PE1584	PE15840
PE1585	PE15850
PE1587	PE15870
PE1590	PE15900
PE1594	PE15940
PE1595	PE15950
PE2040	PE20400
PE2110	PE21100
PE2120	PE21200
PE2410	PE24100
PE2420	PE24200
PE2610	PE26100
PE2620	PE26200
PE2710	PE27100
PE2720	PE27200

### PHILATRON INTERNATIONAL

2-412-CL	PE12300
2-415-40-CL2	PE15340
2-617-CL2	PE15170

### PHILLIPS INDUSTRIES

15-320	PE21200
15-335	PE21100
15-400	PE24200
15-410	PE24100
15-600	PE26200

Mfg. Part Number	TRP Part Number
15-630	PE26100
15-720	PE27200
15-730	PE27100
15-730	PE27200
15-740	PE20400
22-9721	PE15170
30-9321	PE12300
30-9920	PE15340
41-285-144	PE12700
41-285-180	PE15700
41-286-144	PE12600
41-286-180	PE15600
41-286-240	PE15670
41-287-144	PE12800
41-287-180	PE15800
41-287-216	PE15840
41-287-240	PE15870
41-288-144	PE12900
41-288-180	PE15900
41-288-216	PE15940
42-186-120	PE10650
42-186-144	PE12650
42-186-180	PE15650
42-187-120	PE10850
42-187-144	PE12850
42-187-180	PE15850
42-188-120	PE10950
42-188-144	PE12950
42-188-180	PE15950
5001PE	PE27100
5011PE	PE21100
5042PE	PE24100
5061PE	PE26100
5401PE	PE20400
5501PE	PE27200
5511PE	PE21200
5541PE	PE24200
5561PE	PE26200

### SLOAN TRANSPORTATION PRODUCTS

421129	PE12300
--------	---------

<i>Mfg. Part Number</i>	<i>TRP Part Number</i>
-------------------------	------------------------

**TECTRAN**

670-11	PE21100
670-12	PE21200
670-41	PE24100
670-42	PE24200
670-61	PE26100
670-62	PE26200
670-71SG	PE27100
670-72	PE27200
670-722	PE20400
7ATG222MG	PE12300

**TRAMEC**

38181	PE21100
38194	PE24100
38195	PE26100
38197	PE27100
38491	PE21200
38494	PE24200
38496	PE26200
38497	PE27200
3849709	PE20400
45A16	PE15170

**NOTES**

A large rectangular area filled with a light blue grid pattern, intended for handwritten notes. The grid consists of small, uniform squares.



*For information, updates, or corrections,  
please contact us at [support@trpparts.com](mailto:support@trpparts.com).*

*No part of this marketing material may be  
reproduced in any manner without written  
permission from TRP North America.*

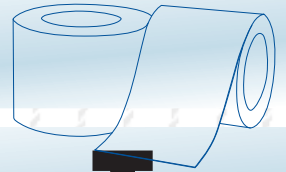
**TRP North America**

750 Houser Way N.  
Renton, WA 98057

[www.trpparts.com](http://www.trpparts.com)



Parts for all brands of trailers.



**12**

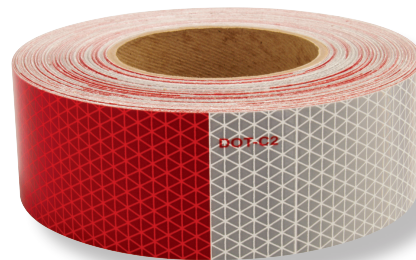
**TRAILER PARTS**

# CONSPICUITY TAPE

*Proven, reliable and  
always innovative.*

TRP® offers reliable aftermarket products that are designed and tested to exceed customers' expectations regardless of the trailer make, model or age.

## CONSPICUITY TAPE





**TRAILER PARTS**

**Tested. Reliable. Guaranteed.**

## Conspicuity Tape

Choosing the right replacement part or service for your vehicle—whether you own one, or a fleet—is one of the most important decisions you can make for your business. And, with tested TRP® parts it's an easy decision.

Regardless of the make you drive, TRP quality replacement parts are engineered to fit your truck, trailer or bus. Choose the parts that give you the best value for your business. Check them out at an approved TRP retailer near you.

*The cross reference information in this catalog is based upon data provided by several industry sources and our partners. While every attempt is made to ensure the information presented is accurate, we can bear no liability due to incorrect or incomplete information.*

### Product Availability

*Due to border issues and market demands, not all products are always available in every location. Check for availability in your area with your local TRP® Distributor.*

*No part of this marketing material may be reproduced in any manner without written permission from TRP North America.*

## CONTENTS

### CONSPICUITY TAPE

Solid & Multi-Color .....	12-3
Flags .....	12-3
Solid Color .....	12-3
Multi-Color .....	12-6

### TRP North America

750 Houser Way N.  
Renton, WA 98057

[www.trpparts.com](http://www.trpparts.com)







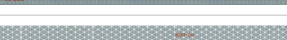


# CONSPICUITY TAPE

## SOLID & MULTI-COLOR

Table 12-1: Conspicuity Tape








Product	Part Number	Description	Color	Size	Package	Grade/Type
<b>FLAGS</b>						
	E04-1549-365EA	American Flag, 3-3/4" x 6-1/2"	American Flag	3-3/4" x 6-1/2"	Strip	Daybright American Flag
	E04-1549-814EA	American Flag, 7-3/4" x 14"	American Flag	7-3/4" x 14"	Strip	Daybright American Flag
<b>SOLID COLOR</b>						
	V82-2349-010150	Blue, 1" x 150' Roll, 10 Year Warranty	Blue	1" x 150'	Roll	V82 Colors 1"
	V82-2349-020150	Blue, 2" x 150' Roll, 10 Year Warranty	Blue	2" x 150'	Roll	V82 Colors 2"
	V92-2349-020150	Blue Daybright, 2" x 150' Roll, 5 Year Warranty	Blue	2" x 150'	Roll	V92 Daybright Colors 2"
	V92-2349-010150	Blue, 1" x 150' Roll, Daybright, Retro Fit Grade	Blue	1" x 150'	Roll	V92 Daybright Retro Fit Grade
	V92-6849-010150	Gold, 1" x 150' Roll, Daybright, Retro Fit Grade	Gold	1" x 150'	Roll	V92 Daybright Retro Fit Grade
	V92-2749-010150	Green, 1" x 150' Roll, Daybright, Retro Fit Grade	Green	1" x 150'	Roll	V92 Daybright Retro Fit Grade
	V97-L264-010150	Fluorescent Lime, 1" x 150' Roll, Daybright, Retro Fit Grade	Lime	1" x 150'	Roll	V92 Daybright Retro Fit Grade
	V92-1249-010150	Red, 1" x 150' Roll, Daybright, Retro Fit Grade	Red	1" x 150'	Roll	V92 Daybright Retro Fit Grade
	V92-1549-010150	White, 1" x 150' Roll, Daybright, Retro Fit Grade	White	1" x 150'	Roll	V92 Daybright Retro Fit Grade
	V82-1549-010150	White, 1" x 150' Roll, 10 Year Warranty	White	1" x 150'	Roll	V82 Colors 1"
	V97-L264-060150	Fluorescent Lime, 6" x 150' Roll, Fire/EMS Chevron	Lime	6" x 150'	Roll	Fire/EMS Chevron
	V92-1249-060150	Red, 6" x 150' Roll, Daybright, Fire/EMS Chevron	Red	6" x 150'	Roll	Fire/EMS Chevron

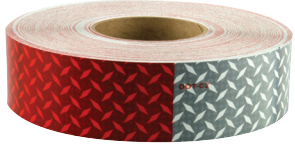

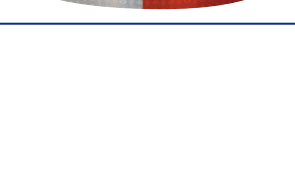
Product	Part Number	Description	Color	Size	Package	Grade/Type
	V82-6849-010150	Gold, 1" x 150' Roll, 10 Year Warranty	Gold	1" x 150'	Roll	V82 Colors 1"
	V82-6849-020150	Gold, 2" x 150' Roll, 10 Year Warranty	Gold	2" x 150'	Roll	V82 Colors 2"
	V92-6849-020150	Gold Daybright, 2" x 150' Roll, 5 Year Warranty	Gold	2" x 150'	Roll	V92 Daybright Colors 2"
	V82-1249-010150	Red, 1" x 150' Roll, 10 Year Warranty	Red	1" x 150'	Roll	V82 Colors 1"
	V82-1249-020150	Red, 2" x 150' Roll, 10 Year Warranty	Red	2" x 150'	Roll	V82 Colors 2"
	V92-1249-020150	Red Daybright, 2" x 150' Roll, 5 Year Warranty	Red	2" x 150'	Roll	V92 Daybright Colors 2"
	E02-1249-081EA	Red, Radius Corners, 2" x 9" Strip, No Seam, 10 Year	Red	2" x 9"	Strip	Agricultural
	E02-1249-054EA	Red, Square Corners, 2" x 9" Strip, 10 Year	Red	2" x 9"	Strip	Agricultural
	V82-2749-010150	Green, 1" x 150' Roll, 10 Year Warranty	Green	1" x 150'	Roll	V82 Colors 1"
	V82-2749-020150	Green, 2" x 150' Roll, 10 Year Warranty	Green	2" x 150'	Roll	V82 Colors 2"
	V92-2749-020150	Green Daybright, 2" x 150' Roll, 5 Year Warranty	Green	2" x 150'	Roll	V92 Daybright Colors 2"
	E52-5449-001EA	White, 2" x 12" Strip, Diamond Plate (25/Pack)	White	2" x 12"	Strip	V52 Diamond Plate
	E02-5449-001EA	White, 2" x 12" Strip, OEM (25/Pack)	White	2" x 12"	Strip	V82 OEM Grade
	E04-5449-001EA	White, 2" x 12" Strip, Retro Fit (25/Pack)	White	2" x 12"	Strip	V92 Daybright Retro Fit Grade
	V82-1549-020150	White, 2" x 150' Roll, 10 Year Warranty	White	2" x 150'	Roll	V82 Colors 2"
	V92-1549-020150	White Daybright, 2" x 150' Roll, 5 Year Warranty	White	2" x 150'	Roll	V92 Daybright Colors 2"
	V92-1549-060150	White Daybright, 6" x 150' Roll, 5 Year Warranty	White	6" x 150'	Roll	Fire/EMS Chevron
	M82-1545-020150	White, 2" x 150' Roll, Marine SOLAS	White	2" x 150'	Roll	Marine SOLAS

Product	Part Number	Description	Color	Size	Package	Grade/Type
	V82-5449-020150	White, 2" x 150' Roll, OEM Grade	White	2" x 150'	Roll	V82 OEM Grade
	V52-5449-020150	White, 2" x 150' Roll, Diamond Plate	White	2" x 150'	Roll	V52 Diamond Plate
	V92-5449-020150	White, 2" x 150' Roll, Daybright, Retro Fit Grade	White	2" x 150'	Roll	V92 Daybright Retro Fit Grade
	E02-5449-037EA	White, Tanker Crescent, 2" x 24" Strip, OEM (10/Pack)	White	2" x 24"	Strip	V82 OEM Grade
	R99-1541-040150	White Rail, 4" x 150' Roll	White	4" x 150'	Roll	Rail
	V82-1849-010150	Yellow, 1" x 150' Roll, 10 year Warranty	Yellow	1" x 150'	Roll	V82 Colors 1"
	V82-1849-020150	Yellow, 2" x 150' Roll, 10 Year Warranty	Yellow	2" x 150'	Roll	V82 Colors 2"
	V92-1849-020150	Yellow Daybright, 2" x 150' Roll, 5 Year Warranty	Yellow	2" x 150'	Roll	V92 Daybright Colors 2"
	V92-4441-010150	School Bus Yellow, 1" x 150' Roll, 5 Year	Yellow	1" x 150'	Roll	School Bus
	V82-4441-010150	School Bus Yellow, 1" x 150' Roll, 10 Year	Yellow	1" x 150'	Roll	School Bus
	V92-4441-020150	School Bus Yellow, 2" x 150' Roll, 5 Year	Yellow	2" x 150'	Roll	School Bus

Product	Part Number	Description	Color	Size	Package	Grade/Type
	V82-4441-020150	School Bus Yellow, 2" x 150' Roll, 10 Year	Yellow	2" x 150'	Roll	School Bus
	E02-1849-054EA	Yellow, Square Corners, 2" x 9" Strip, 5 Year	Yellow	2" x 9"	Strip	Agricultural
	E02-6749-081EA	Yellow, Radius Corners, 2" x 9" Strip, No Seam, 5 Year	Yellow	2" x 9"	Strip	Agricultural
	E03-6772-010EA	Yellow, 3" Round Strip, 5 Year	Yellow	3"	Strip	Agricultural
	R99-4441-040150	Yellow Rail, 4" x 150' Roll	Yellow	4" x 150'	Roll	Rail

**MULTI-COLOR**

	V92-5549-010150	Red/White, 1" x 150' Roll, 11" Red/7" White, Daybright, Retro Fit Grade	Red/White	1" x 150'	Roll	V92 Daybright Retro Fit Grade
	V82-5549-010150	Red/White, 1" x 150' Roll, 11" Red/7" White, OEM Grade	Red/White	1" x 150'	Roll	V82 OEM Grade
	V82-5549-018150	Red/White, 1-1/2" x 150' Roll, 11" Red/7" White, OEM Grade	Red/White	1-1/2" x 150'	Roll	V82 OEM Grade
	E02-5549-006EA	Red/White, 2" x 18" Strip, 11" Red/7" White, OEM (25/Pack)	Red/White	2" x 18"	Strip	V82 OEM Grade
	E52-5649-001EA	Red/White, 2" x 12" Strip, 6" Red/6" White, Diamond Plate (25/Pack)	Red/White	2" x 12"	Strip	V52 Diamond Plate
	E04-5649-001EA	Red/White, 2" x 12" Strip, 6" Red/6" White, Retro Fit (25/Pack)	Red/White	2" x 12"	Strip	V92 Daybright Retro Fit Grade
	E02-5649-001EA	Red/White, 2" x 12" Strip, 6" Red/6" White, OEM (25/Pack)	Red/White	2" x 12"	Strip	V82 OEM Grade
	E04-5549-006EA	Red/White, 2" x 18" Strip, 11" Red/7" White, Retro Fit (25/Pack)	Red/White	2" x 18"	Strip	V92 Daybright Retro Fit Grade

Product	Part Number	Description	Color	Size	Package	Grade/Type
	E52-5549-006EA	Red/White, 2" x 18" Strip, 11" Red/7" White, Diamond Plate (25/Pack)	Red/White	2" x 18"	Strip	V52 Diamond Plate
	V42-5549-020150	11" Red / 7" White, 2" x 150' Roll, 3 Year Warranty	Red/White	2" x 150'	Roll	V42 Retro Fit
	E02-5549-055EA	Red/White, 2" x 54" Strip, 11" Red/7" White, OEM (10/Pack)	Red/White	2" x 54"	Strip	V82 OEM Grade
	E04-5549-054EA	Red/White, 2" x 54" Strip, 11" Red/7" White, Retro Fit (10/Pack)	Red/White	2" x 54"	Strip	V92 Daybright Retro Fit Grade
	V52-5549-020150	Red/White, 2" x 150' Roll, 11" Red/7" White, Diamond Plate	Red/White	2" x 150'	Roll	V52 Diamond Plate
	V52-5649-020150	Red/White, 2" x 150' Roll, 6" Red/6" White, Diamond Plate	Red/White	2" x 150'	Roll	V52 Diamond Plate
	V92-5649-020150	Red/White, 2" x 150' Roll, 6" Red/6" White, Daybright, Retro Fit Grade	Red/White	2" x 150'	Roll	V92 Daybright Retro Fit Grade
	V82-5649-020150	Red/White, 2" x 150' Roll, 6" Red/6" White, OEM Grade	Red/White	2" x 150'	Roll	V82 OEM Grade
	V92-5549-020150	Red/White, 2" x 150' Roll, 11" Red/7" White, Daybright, Retro Fit Grade	Red/White	2" x 150'	Roll	V92 Daybright Retro Fit Grade
	V82-5549-020150	Red/White, 2" x 150' Roll, 11" Red/7" White, OEM Grade	Red/White	2" x 150'	Roll	V82 OEM Grade
	V82-5549-030150	Red/White, 3" x 150' Roll, 11" Red/7" White, OEM Grade	Red/White	3" x 150'	Roll	V82 OEM Grade



*For information, updates, or corrections,  
please contact us at [support@trpparts.com](mailto:support@trpparts.com).*

*No part of this marketing material may be  
reproduced in any manner without written  
permission from TRP North America.*

**TRP North America**

750 Houser Way N.  
Renton, WA 98057

[www.trpparts.com](http://www.trpparts.com)

# PART NUMBER INDEX

03-012582	1-8	022-00989	8-22	023-00497	8-26
03-122222	1-8	022-00990	8-22	023-00557	8-5
03-122550	1-8	022-00992	8-22	023-00559	8-10
03-122683	1-8	022-00993	8-22	023-00561	8-9
03-122978	1-8	022-00994	8-22	023-00562	8-7
03-123207	1-8	022-00995	8-11	023-00563	8-7
021-00001	8-26	022-00996	8-10	023-00567	8-6
021-00006	8-12	022-01003	8-12	023-00567	8-6
021-00010	8-12	022-01004	8-5	023-00583	8-19
021-00025	8-13	022-01005	8-5	023-00639	8-19
021-00043	8-21	022-01007	8-7	023-00641	8-19
021-00050	8-21	022-01008	8-11	023-00645	8-19
021-00051	8-21	022-01009	8-7	023-00662	8-19
021-00053	8-21	022-01013	8-12	023-00664	8-19
021-00098	8-26	022-01020	8-22	023-00669	8-19
021-00099	8-26	022-01021	8-22	023-00674	8-19
021-00181	8-19	022-01022	8-22	023-00678	8-19
021-00207	8-24	022-01023	8-22	023-00940	8-13
021-00217	8-24	022-01024	8-22	023-00943	8-14
021-00256	8-25	022-01025	8-22	023-00961	8-25
021-00308	8-19	022-01035	8-8	023-00965	8-25
021-00309	8-22	022-01036	8-13	023-01502	8-10
021-00371	8-21	022-01040	8-8	023-01656	8-7
021-00372	8-21	022-01041	8-9	023-01657	8-8
021-00373	8-21	022-01043	8-9	023-02009	8-10
021-00374	8-21	022-01046	8-10	024-02500	8-25
021-00376	8-18	022-01047	8-11	024-02501	8-25
022-00007	8-6	022-01055	8-15	024-02502	8-25
022-00013	8-5	022-01056	8-14	024-02508	8-26
022-00030	8-9	022-01058	8-7	024-02509	8-26
022-00039	8-6	022-01076	8-21	024-02590	8-26
022-00081	8-22	022-01077	8-21	024-02591	8-26
022-00391	8-4	022-01078	8-21	024-02592	8-26
022-00392	8-4	022-01079	8-21	024-02595	8-26
022-00393	8-4	022-01081	8-11	024-02596	8-26
022-00407	8-6	022-01084	8-23	024-02597	8-26
022-00487	8-22	022-01085	8-23	024-03000	8-26
022-00490	8-12	022-01086	8-11	024-03040	8-26
022-00521	8-21	022-01090	8-8	024-03056	8-26
022-00522	8-21	022-01091	8-8	025-01028	8-32
022-00545	8-19	022-01092	8-9	025-01029	8-32
022-00551	8-19	022-01093	8-9	025-01031	8-32
022-00577	8-22	022-01182	8-15	025-01034	8-32
022-00614	8-8	022-01184	8-14	025-01035	8-32
022-00627	8-20	022-01185	8-10	025-01036	8-32
022-00628	8-20	022-01300	8-23	025-01037	8-32
022-00888	8-5	022-01305	8-23	025-01038	8-32
022-00889	8-4	022-01407	8-15	025-01039	8-32
022-00966	8-13	023-00008	8-13	025-01052	8-32
022-00975	8-15	023-00491	8-20	025-01053	8-32

025-01055	8-32	025-10102	8-35	025E10271	8-35
025-01056	8-32	025-10105	8-35	025E10272	8-35
025-01057	8-32	025-10113	8-35	025E10301	8-33
025-01058	8-32	025-10200	8-40	025E10311	8-34
025-01059	8-32	025-10201	8-40	025E10402	8-40
025-01064	8-32	025-10202	8-40	025E10432	8-40
025-01065	8-32	025-10230	8-40	025E10502	8-24
025-01066	8-32	025-10231	8-41	025E90041	8-35
025-01067	8-32	025-10250	8-41	026-14221	8-30
025-01068	8-32	025-10260	8-41	026-14222	8-30
025-01069	8-32	025-10261	8-41	026-14223	8-30
025-01070	8-32	025-10275	8-15	026-14225	8-30
025-01075	8-32	025-10276	8-15	026-14321	8-30
025-01076	8-32	025-10278	8-15	026-14322	8-30
025-01078	8-33	025-10279	8-15	026-14323	8-30
025-01081	8-33	025-10300	8-33	026-14325	8-30
025-01088	8-33	025-10311	8-34	026-14521	8-30
025-01098	8-33	025-10402	8-40	026-14522	8-31
025-01100	8-33	025-10403	8-40	026-14523	8-31
025-01102	8-33	025-10420	8-40	026-14525	8-31
025-01119	8-33	025-10421	8-40	026-14621	8-31
025-01123	8-33	025-10430	8-44	026-14622	8-31
025-01126	8-33	025-10432	8-40	026-14623	8-31
025-01426	8-33	025-10500	8-23	026-14625	8-31
025-01427	8-33	025-10501	8-23	026-40001	8-36
025-01430	8-33	025-10502	8-23	026-40005	8-36
025-01431	8-33	025-10530	8-24	026-40007	8-36
025-01432	8-33	025-10551	8-24	026-40010	8-36
025-01433	8-33	025-10577	8-20	026-40026	8-36
025-01434	8-33	025-10578	8-20	026-40027	8-36
025-01435	8-33	025-10600	8-40	026-40037	8-37
025-01437	8-33	025-10601	8-40	026-40040	8-37
025-01438	8-33	025-10602	8-40	026-40100	8-37
025-01439	8-33	025-10608	8-44	026-40200	8-37
025-01440	8-33	025-60000	8-44	026-40202	8-37
025-01441	8-33	025-60050	8-34	026-40204	8-37
025-01442	8-33	025-60052	8-34	026-40206	8-37
025-01443	8-33	025-60100	8-44	026-40208	8-37
025-01444	8-33	025-60200	8-34	026-40400	8-38
025-01445	8-33	025-60206	8-35	026-40410	8-38
025-01446	8-33	025-60407	8-41	026-40500	8-38
025-01447	8-33	025-60409	8-41	026-40600	8-44
025-01448	8-33	025-60410	8-41	026-40601	8-38
025-01449	8-33	025-60411	8-41	026-40602	8-38
025-01450	8-33	025-60412	8-41	026-40702	8-38
025-01451	8-33	025-60503	8-34	026-94221	8-29
025-01452	8-33	025-60563	8-35	026-94222	8-29
025-01545	8-33	025E10002	8-16	026-94223	8-29
025-01575	8-33	025E10003	8-16	026-94225	8-29
025-10001	8-14	025E10005	8-16	026-94321	8-29
025-10011	8-14	025E10051	8-16	026-94322	8-29
025-10050	8-14	025E10071	8-16	026-94323	8-29
025-10100	8-35	025E10220	8-41	026-94325	8-29
025-10101	8-35	025E10270	8-35	026-94521	8-29



026-94522	8-30	026CW945215	8-30	028-02214	8-42
026-94523	8-30	026CW945255	8-30	028-02290	8-42
026-94525	8-30	026CW946255	8-30	028-03090	8-42
026-94621	8-30	027-20000	8-38	028-03101	8-42
026-94622	8-30	027-20001	8-38	028-03114	8-42
026-94623	8-30	027-20003	8-39	028-03190	8-42
026-94625	8-30	027-20004	8-39	028-03201	8-42
026-142255	8-30	027-20112	8-39	028-03214	8-42
026-143255	8-30	027-20113	8-39	028-30012	8-43
026-145255	8-31	027-20114	8-39	028-30014	8-43
026-146255	8-31	027-20115	8-39	028-30015	8-43
026-942255	8-29	027-20126	8-39	028-30017	8-43
026-943255	8-29	027-20127	8-39	028-30050	8-43
026-945215	8-30	027-20200	8-44	028-30051	8-43
026-945255	8-30	027-20201	8-44	028-30060	8-43
026-946255	8-30	027-20202	8-39	028-30061	8-43
026CW14221	8-30	027-20300	8-33	028-30070	8-43
026CW14222	8-30	027-20301	8-33	028-30071	8-43
026CW14223	8-30	027-20303	8-33	028-30080	8-43
026CW14225	8-30	027-20304	8-33	028-30081	8-43
026CW14321	8-30	027-20305	8-41	028-32071	8-43
026CW14322	8-30	027-20306	8-41	028-32072	8-43
026CW14323	8-30	027-20307	8-41	028-32081	8-43
026CW14325	8-30	027-20308	8-41	028-32082	8-43
026CW14521	8-30	027-20400	8-42	028-32083	8-43
026CW14522	8-31	027-20401	8-42	028-32084	8-43
026CW14523	8-31	027-20500	8-42	028-32085	8-44
026CW14525	8-31	027-20530	8-42	028-32086	8-44
026CW14621	8-31	027-24100	8-39	029-08090	8-27
026CW14622	8-31	027-24101	8-39	029-08100	8-27
026CW14623	8-31	027-24200	8-39	029-08105	8-27
026CW14625	8-31	027-24201	8-39	029-08112	8-27
026CW94221	8-29	027-24202	8-39	029-98200	8-27
026CW94222	8-29	027-24300	8-39	029-98205	8-27
026CW94223	8-29	027-24301	8-39	029-98207	8-27
026CW94225	8-29	027-24400	8-39	029-98212	8-27
026CW94321	8-29	027-24401	8-39	029-98290	8-27
026CW94322	8-29	027-24402	8-39	029C08090	8-27
026CW94323	8-29	027-24403	8-39	029C08100	8-27
026CW94325	8-29	027-80090	8-42	029C08105	8-27
026CW94521	8-29	027-80100	8-42	029C08112	8-28
026CW94522	8-30	027-80114	8-42	029C98200	8-28
026CW94523	8-30	027-81090	8-42	029C98205	8-28
026CW94525	8-30	027-81100	8-42	029C98207	8-28
026CW94621	8-30	027-81114	8-42	029C98212	8-28
026CW94622	8-30	027-82096	8-39	029C98290	8-28
026CW94623	8-30	027-82106	8-39	031-01687	6-5
026CW94625	8-30	027-82114	8-39	031-01688	6-5
026CW142255	8-30	028-00190	8-42	031-01689	6-5
026CW143255	8-30	028-00290	8-42	034-02290	6-3
026CW145255	8-31	028-02090	8-42	034-02414	6-5
026CW146255	8-31	028-02101	8-42	034-02415	6-5
026CW942255	8-29	028-02114	8-42	034-02418	6-3
026CW943255	8-29	028-02201	8-42	034-02419	6-4

034-02420	6-4	930 03 597	2-17	995-00112	8-45
034-02421	6-3	932 01 070	2-15	995-00113	8-45
034-02422	6-4	932 01 070	2-16	995-00114	8-45
034-02423	6-4	932 01 070	2-16	995-00115	8-45
85-122550	1-8	932 01 070	2-17	995-00116	8-45
900 08 247	2-15	934 00 136	2-16	995-00401	8-35
900 08 247	2-16	934 00 136	2-16	996-01900	8-45
900 08 247	2-16	934 00 136	2-17	997-98015	8-17
900 08 247	2-17	934 00 136	2-17	997-98016	8-18
900 36 257	2-17	934 00 149	2-16	997-98017	8-17
900 36 258	2-17	934 00 149	2-16	997-98019	8-18
900 44 162	2-17	934 00 149	2-17	997-98020	8-17
900 44 162	2-17	934 00 149	2-17	997-98022	8-17
900 45 298	2-16	934 00 492	2-16	997-98027	8-17
900 45 298	2-16	934 00 492	2-16	1020K1N	9-4
900 45 491	2-16	934 00 492	2-16	1343CHR	3-8
900 45 491	2-16	934 00 492	2-17	1643CHR	3-8
900 45 491	2-17	934 00 506	2-16	1820K1N	9-5
900 45 491	2-17	934 00 506	2-16	1820P2	9-4
905 21 742	2-15	934 00 506	2-16	2210B6866	1-18
905 21 742	2-16	934 00 506	2-17	2210C6867	1-18
905 21 742	2-16	936 00 072	2-16	2210C7959	1-18
905 21 742	2-17	936 00 072	2-16	2210D6868	1-18
905 21 743	2-15	936 00 072	2-17	2210E6869	1-18
905 21 743	2-16	936 00 072	2-17	2210K1N	9-6
905 21 743	2-16	936 00 077	2-16	2210Q8155	1-18
905 21 743	2-17	936 00 077	2-16	2210R8156	1-18
905 31 339	2-16	936 00 077	2-17	2210U8159	1-18
905 31 339	2-16	936 00 077	2-17	2210V8160	1-18
905 31 339	2-17	936 00 553	2-15	2215	9-6
905 31 339	2-17	936 00 553	2-16	2221K1N	9-6
905 48 007	2-16	936 00 553	2-16	2231K1N	9-6
905 48 007	2-16	936 00 553	2-17	2241K1N	9-6
905 48 007	2-17	991-00085	8-45	3600A	1-8
905 48 007	2-17	991-00126	8-45	3600AX	1-8
905 48 008	2-15	991-00400	8-45	3782X	1-8
905 48 008	2-16	991-00401	8-45	3807X	1-8
905 48 008	2-16	991-00402	8-45	3820K1N	9-5
905 48 008	2-17	991-00506	8-45	3922X	1-8
905 48 009	2-16	991-00609	8-45	4709E11BLKBXW	1-14
905 48 009	2-16	991-00700	8-45	5820K1N	9-5
905 48 009	2-16	992-00001	8-46	6080AA00	4-6
905 48 009	2-17	992-00005	8-46	6080AB00	4-6
905 57 306	2-16	992-01100	8-46	6080AC00	4-7
905 57 306	2-16	992-01101	8-46	6080BA00	4-6
905 57 306	2-17	993-00004	8-46	6080BB00	4-6
905 57 306	2-17	993-00109	8-46	6080BC00	4-7
930 02 903	2-16	993-00240	8-46	6085AA00	4-6
930 02 903	2-16	993-00703	8-46	6085AB00	4-6
930 02 903	2-17	993-00721	8-46	6085AC00	4-7
930 02 903	2-17	994-00002	8-46	6085BA00	4-6
930 03 597	2-16	994-00105	8-46	6085BB00	4-6
930 03 597	2-16	994-00500	8-35	6085BC00	4-7
930 03 597	2-17	995-00111	8-45	6090AA00	4-6

6090AB00.....	4-6	27404PG .....	4-3	85029 .....	2-77
6090AC00.....	4-7	27404PW .....	4-3	85043 .....	2-77
6090BA00.....	4-6	28409PKWHT21.....	4-3	85045 .....	2-77
6095AA00.....	4-6	28641PKWHT21.....	4-3	85052 .....	2-77
6095AB00.....	4-6	29362ANP .....	4-3	85064 .....	2-77
6095AC00.....	4-7	29545PKSLV21 .....	4-3	85323 .....	2-77
6095BB00.....	4-6	29627PKWHT21.....	4-3	85909 .....	2-77
6095BC00.....	4-7	29637PKWHT21.....	4-3	85919 .....	2-77
6100AA00.....	4-6	29644ANP .....	4-3	85938 .....	2-77
6100AB00.....	4-6	29660ANP .....	4-3	89401 .....	2-77
6100AC00.....	4-7	37030 .....	9-3	89414 .....	2-77
6100BA00.....	4-6	37031K1N.....	9-3	89430 .....	2-77
6100BB00.....	4-6	37032K1N.....	9-3	89436 .....	2-77
6100BC00.....	4-7	40129 .....	3-5	90531 339.....	2-10
6105AA00.....	4-6	40136 .....	3-5	112001.....	5-56
6105AB00.....	4-6	42623 .....	3-5	112003.....	5-56
6105AC00.....	4-7	42627 .....	3-5	112005.....	5-56
6105BA00.....	4-6	42631CHR.....	3-5	112014.....	5-56
6105BB00.....	4-7	43752 .....	3-5	112015.....	5-56
6105BC00.....	4-7	43754 .....	3-5	112021.....	5-55
6110AA00.....	4-6	46300 .....	3-5	112023.....	5-55
6110AB00.....	4-7	46305 .....	3-5	112025.....	5-55
6110BA00.....	4-6	46308CHR.....	3-5	112030.....	5-55
6110BB00.....	4-7	50307PG .....	4-3	112034.....	5-56
6110BC00.....	4-7	50307PW .....	4-3	130000.....	5-32
6115AA00.....	4-6	50308PG .....	4-3	130001.....	5-32
6115AB00.....	4-7	50308PW .....	4-3	130002.....	5-32
6115AC00.....	4-7	50379PG .....	4-3	130003.....	5-32
6115BA00.....	4-6	50379PW .....	4-3	130004.....	5-31
6115BB00.....	4-7	50381PG .....	4-3	150000.....	5-33
6115BC00.....	4-7	50381PW .....	4-3	150001.....	5-33
6120AA00.....	4-6	50408PKWHT21.....	4-3	160000.....	5-32
6120AB00.....	4-7	50408PW .....	4-3	180000.....	5-32
6120AC00.....	4-7	50487PKWHT21.....	4-3	180010.....	5-32
6120BA00.....	4-6	50487PW .....	4-3	180016.....	5-32
6120BB00.....	4-7	60876F20 .....	1-9	201208.....	5-56
6120BC00.....	4-7	62200F20 .....	1-9	202403.....	5-56
6125AA00.....	4-6	63680F .....	1-10	203514.....	5-56
6125AB00.....	4-7	66893F20 .....	1-9	422721.....	9-6
6125AC00.....	4-7	66895B20 .....	1-10	423010.....	9-6
6125BA00.....	4-6	67518F20 .....	1-9	423021.....	9-6
6125BB00.....	4-7	68730F20 .....	1-10	462721.....	9-6
6130BB00.....	4-7	75209A .....	4-5	463021.....	9-6
7820P2 .....	9-4	75209AT .....	4-5	512720.....	9-6
9006X .....	1-8	83125 .....	2-77	513020.....	9-6
9019X .....	1-8	83128 .....	2-77	562720.....	9-6
10032K1N.....	9-3	83130 .....	2-77	563020.....	9-6
10033K1N.....	9-3	83137 .....	2-77	641201.....	9-5
10062K1N.....	9-4	83203 .....	2-77	641601.....	9-6
10085K1N.....	9-3	83209 .....	2-77	646155.....	2-77
20231-3T .....	4-5	85000 .....	2-77	651201.....	9-5
20231-5T .....	4-5	85005 .....	2-77	651601.....	9-5
23431-3T .....	4-5	85006 .....	2-77	665632.....	2-77
23431-5T .....	4-5	85013 .....	2-77	665785.....	2-77

680279.....	2-77	750005.....	5-69	48100383.....	2-34
716058.....	5-66	750009.....	5-29	48100383.....	2-34
716059.....	5-66	750212.....	5-58	48100384.....	2-34
722000.....	5-29	750241.....	5-29	48100385.....	2-34
722000.....	5-32	750245.....	5-29	48100386.....	2-30
722018.....	5-28	750450.....	5-29	48100386.....	2-34
722018.....	5-31	750450.....	5-32	48100387.....	2-35
724037.....	5-29	750812.....	5-57	48100388.....	2-34
724037.....	5-32	751173.....	5-29	48100388.....	2-35
725001.....	5-29	751173.....	5-32	48100389.....	2-34
725001.....	5-32	751174.....	5-29	48100462.....	2-5
725002.....	5-29	751175.....	5-29	48100462.....	2-7
725002.....	5-32	751175.....	5-29	48100463.....	2-6
725003.....	5-29	751175.....	5-32	48100463.....	2-7
725003.....	5-32	751175.....	5-32	48100463.....	2-8
725046.....	5-28	751198.....	5-29	48100463.....	2-9
725046.....	5-31	751198.....	5-32	48100464.....	2-6
727000.....	5-29	751407.....	5-58	48100464.....	2-8
727000.....	5-32	751564.....	5-30	48100465.....	2-5
728000.....	5-29	751564.....	5-30	48100465.....	2-7
728003.....	5-29	751566.....	5-30	48100466.....	2-6
728003.....	5-32	751566.....	5-30	48100466.....	2-8
728003.....	5-66	751612.....	5-28	48100467.....	2-6
729002.....	5-29	751612.....	5-31	48100467.....	2-7
729002.....	5-32	751627.....	5-30	48100467.....	2-8
729108.....	5-29	751628.....	5-30	48100467.....	2-9
729108.....	5-32	751659.....	5-30	48200386.....	2-34
730005.....	5-60	751660.....	5-30	50616000.....	5-7
730007.....	5-29	751706.....	5-30	50616000.....	5-10
730007.....	5-32	751707.....	5-30	50616000.....	5-14
730011.....	5-29	751873.....	5-29	50616000.....	5-17
730051.....	5-60	751873.....	5-32	50616000.....	5-63
730122.....	5-57	752204.....	5-57	50616001.....	5-7
730157.....	5-60	40010211M1D.....	1-11	50616001.....	5-10
730590.....	5-28	40010212M1D.....	1-11	50616001.....	5-14
730624.....	5-60	40010213M1D.....	1-12	50616001.....	5-17
730637.....	5-66	40010214M1D.....	1-12	50616001.....	5-29
730638.....	5-29	40010216M1D.....	1-11	50616001.....	5-32
730638.....	5-32	40020211M1D.....	1-11	50616001.....	5-63
730638.....	5-66	40020212M1D.....	1-11	50616002.....	5-63
730640.....	5-29	40020213M1D.....	1-11	50616003.....	5-63
730640.....	5-32	40020214.....	1-12	50616004.....	5-63
730640.....	5-66	40020215.....	1-11	50616006.....	5-63
741158.....	5-29	40020216M1D.....	1-11	50616007.....	5-8
742111.....	5-30	48100206.....	2-30	50616007.....	5-10
742111.....	5-33	48100206.....	2-34	50616007.....	5-15
742163.....	5-30	48100206.....	2-34	50616007.....	5-17
742333.....	5-30	48100206.....	2-35	50616007.....	5-63
742913.....	5-30	48100206.....	2-35	50616008.....	5-8
742913.....	5-33	48100264.....	2-34	50616008.....	5-10
742915.....	5-30	48100319.....	2-34	50616008.....	5-15
750002.....	5-29	48100328.....	2-34	50616008.....	5-17
750004.....	5-29	48100328.....	2-35	50616008.....	5-29
750004.....	5-32	48100383.....	2-30	50616008.....	5-32

50616008.....	5-63	50860001.....	2-13	90008198.....	2-31
50616009.....	5-63	50860002.....	2-13	90008198.....	2-32
50616012.....	5-63	50860003.....	2-13	90008198.....	2-33
50616013.....	5-63	50860006.....	2-14	90008198.....	2-33
50616014.....	5-63	60002019.....	4-7	90008198.....	2-36
50616015.....	5-63	60003009.....	4-7	90008198.....	2-38
50616016.....	5-64	60003010.....	4-7	90008198.....	2-38
50616017.....	5-65	60004222.....	4-7	90008238.....	2-27
50616018.....	5-65	60004312.....	4-8	90008238.....	2-28
50616019.....	5-65	60005024.....	4-8	90008238.....	2-28
50616020.....	5-65	60005028.....	4-8	90008238.....	2-29
50616021.....	5-65	60005032.....	4-8	90008238.....	2-31
50616022.....	5-68	60005074.....	4-8	90008238.....	2-32
50616023.....	5-68	60005078.....	4-8	90008238.....	2-33
50616024.....	5-69	60005082.....	4-8	90008238.....	2-33
50616025.....	5-69	60005824.....	4-8	90008238.....	2-36
50616026.....	5-69	60005828.....	4-8	90008238.....	2-36
50616027.....	5-69	60005832.....	4-8	90008238.....	2-36
50616028.....	5-70	60005874.....	4-8	90008238.....	2-36
50616029.....	5-68	60005878.....	4-8	90008238.....	2-37
50616030.....	5-67	60005882.....	4-8	90008238.....	2-37
50618000.....	5-57	60009050.....	4-8	90008238.....	2-37
50618001.....	5-57	60009060.....	4-8	90008247.....	2-5
50618002.....	5-57	90008139.....	2-27	90008247.....	2-6
50644000.....	5-53	90008139.....	2-28	90008247.....	2-6
50644001.....	5-53	90008139.....	2-29	90008247.....	2-7
50644002.....	5-53	90008139.....	2-29	90008247.....	2-7
50644003.....	5-53	90008139.....	2-31	90008247.....	2-8
50644004.....	5-53	90008139.....	2-32	90008247.....	2-8
50644005.....	5-53	90008139.....	2-33	90008247.....	2-9
50644006.....	5-53	90008139.....	2-33	90008247.....	2-12
50644007.....	5-53	90008139.....	2-36	90008247.....	2-23
50644008.....	5-53	90008139.....	2-36	90018445.....	2-31
50644009.....	5-53	90008139.....	2-36	90018445.....	2-32
50644010.....	5-53	90008139.....	2-37	90018445.....	2-33
50644011.....	5-53	90008139.....	2-37	90018445.....	2-33
50644013.....	5-54	90008147.....	2-38	90018515.....	2-27
50644014.....	5-54	90008149.....	2-27	90018515.....	2-28
50644015.....	5-54	90008149.....	2-28	90018515.....	2-29
50644016.....	5-54	90008149.....	2-29	90018515.....	2-29
50644017.....	5-54	90008149.....	2-29	90023001.....	2-28
50644018.....	5-54	90008149.....	2-31	90023001.....	2-29
50644019.....	5-54	90008149.....	2-32	90023001.....	2-32
50644020.....	5-54	90008149.....	2-33	90023001.....	2-33
50644021.....	5-54	90008149.....	2-33	90023001.....	2-37
50644022.....	5-54	90008149.....	2-35	90023001.....	2-38
50644023.....	5-54	90008149.....	2-35	90023002.....	2-26
50644031.....	5-56	90008149.....	2-35	90023002.....	2-27
50644032.....	5-56	90008149.....	2-36	90023002.....	2-31
50644033.....	5-56	90008149.....	2-36	90023002.....	2-31
50644034.....	5-56	90008198.....	2-27	90023002.....	2-37
50644035.....	5-56	90008198.....	2-28	90023002.....	2-38
50644036.....	5-55	90008198.....	2-28	90023002.....	2-38
50644037.....	5-55	90008198.....	2-29	90025157.....	2-38

90033785.....	2-27	90045298.....	2-6	90516587.....	2-27
90033785.....	2-27	90045298.....	2-7	90516587.....	2-28
90033785.....	2-28	90045299.....	2-32	90516587.....	2-29
90033785.....	2-29	90045299.....	2-33	90516587.....	2-31
90033785.....	2-31	90045381.....	2-6	90516587.....	2-31
90033785.....	2-32	90045491.....	2-6	90516587.....	2-32
90033785.....	2-32	90045491.....	2-6	90516587.....	2-33
90033785.....	2-33	90045491.....	2-7	90516588.....	2-27
90034247.....	2-6	90045491.....	2-7	90516588.....	2-27
90034247.....	2-6	90045491.....	2-7	90516588.....	2-28
90034247.....	2-7	90045491.....	2-8	90516588.....	2-29
90034247.....	2-7	90045491.....	2-8	90516588.....	2-31
90034247.....	2-8	90045491.....	2-9	90516588.....	2-31
90034247.....	2-8	90045491.....	2-10	90516588.....	2-32
90034247.....	2-9	90045491.....	2-10	90516588.....	2-33
90034247.....	2-9	90045491.....	2-11	90520383.....	2-38
90036175.....	2-35	90045491.....	2-11	90521144.....	2-31
90036177.....	2-26	90045491.....	2-24	90521144.....	2-38
90036177.....	2-27	90045491.....	2-25	90521145.....	2-26
90036177.....	2-28	90045607.....	2-7	90521145.....	2-26
90036177.....	2-29	90045608.....	2-8	90521145.....	2-27
90036177.....	2-31	90501289.....	2-27	90521145.....	2-27
90036177.....	2-31	90501289.....	2-27	90521145.....	2-31
90036177.....	2-32	90501289.....	2-28	90521145.....	2-38
90036177.....	2-33	90501289.....	2-29	90521146.....	2-28
90036177.....	2-35	90501289.....	2-31	90521146.....	2-28
90036177.....	2-35	90501289.....	2-31	90521146.....	2-29
90036177.....	2-36	90501289.....	2-32	90521146.....	2-29
90036177.....	2-36	90501289.....	2-33	90521146.....	2-32
90036177.....	2-36	90501290.....	2-27	90521146.....	2-33
90036177.....	2-36	90501290.....	2-27	90521146.....	2-38
90036177.....	2-36	90501290.....	2-28	90521150.....	2-31
90036177.....	2-37	90501290.....	2-29	90521150.....	2-31
90036177.....	2-37	90501290.....	2-31	90521151.....	2-26
90036177.....	2-37	90501290.....	2-31	90521151.....	2-26
90036177.....	2-37	90501290.....	2-32	90521151.....	2-27
90036177.....	2-38	90501290.....	2-33	90521151.....	2-27
90036177.....	2-38	90508019.....	2-27	90521151.....	2-31
90036177.....	2-38	90508019.....	2-28	90521151.....	2-31
90036177.....	2-38	90508019.....	2-28	90521151.....	2-37
90036217.....	2-35	90508019.....	2-29	90521152.....	2-28
90038312.....	2-31	90508019.....	2-31	90521152.....	2-28
90038312.....	2-32	90508019.....	2-32	90521152.....	2-29
90038312.....	2-33	90508019.....	2-33	90521152.....	2-29
90038312.....	2-33	90508019.....	2-33	90521152.....	2-32
90044089.....	2-28	90508019.....	2-36	90521152.....	2-32
90044089.....	2-29	90508019.....	2-36	90521152.....	2-33
90044642.....	2-27	90508019.....	2-36	90521152.....	2-33
90044642.....	2-28	90508019.....	2-36	90521152.....	2-37
90044868.....	2-5	90508019.....	2-37	90521742.....	2-24
90045040.....	2-8	90508019.....	2-37	90521743.....	2-24
90045040.....	2-9	90508019.....	2-37	90521823.....	2-10
90045040.....	2-31	90508198.....	2-38	90521824.....	2-10
90045040.....	2-32	90516587.....	2-27	90521825.....	2-11

90521826.....	2-12	90557331.....	2-6	93201069.....	2-33
90521827.....	2-12	90557332.....	2-7	93201069.....	2-36
90521828.....	2-12	90557332.....	2-7	93201069.....	2-36
90531262.....	2-27	90557376.....	2-8	93201069.....	2-37
90531262.....	2-28	90557376.....	2-8	93201069.....	2-38
90531262.....	2-28	90557377.....	2-9	93201069.....	2-38
90531262.....	2-29	90557377.....	2-9	93201069.....	2-38
90531263.....	2-27	90560109.....	2-14	93201069.....	2-38
90531263.....	2-28	93002903.....	2-24	93201070.....	2-5
90531263.....	2-28	93002903.....	2-25	93201070.....	2-6
90531263.....	2-29	93003597.....	2-27	93201070.....	2-6
90531330.....	2-32	93003597.....	2-27	93201070.....	2-7
90531330.....	2-33	93003597.....	2-28	93201070.....	2-7
90531331.....	2-32	93003597.....	2-29	93201070.....	2-8
90531331.....	2-33	93003597.....	2-31	93201070.....	2-8
90531339.....	2-6	93003597.....	2-32	93201070.....	2-9
90531339.....	2-6	93003597.....	2-32	93201070.....	2-10
90531339.....	2-6	93003597.....	2-33	93201070.....	2-10
90531339.....	2-7	93003609.....	2-27	93201070.....	2-11
90531339.....	2-7	93003609.....	2-27	93201070.....	2-11
90531339.....	2-8	93003609.....	2-28	93201070.....	2-11
90531339.....	2-8	93003609.....	2-29	93201070.....	2-12
90531339.....	2-9	93003609.....	2-31	93201070.....	2-12
90531339.....	2-11	93003609.....	2-32	93201070.....	2-12
90531339.....	2-11	93003609.....	2-32	93201070.....	2-13
90531339.....	2-24	93003609.....	2-33	93201070.....	2-23
90531339.....	2-25	93006035.....	2-5	93201070.....	2-24
90544830.....	2-31	93006035.....	2-6	93201070.....	2-24
90544830.....	2-32	93006035.....	2-6	93201070.....	2-25
90544831.....	2-31	93006035.....	2-7	93400136.....	2-6
90544831.....	2-32	93006035.....	2-7	93400136.....	2-6
90548007.....	2-6	93006035.....	2-8	93400136.....	2-7
90548007.....	2-6	93006035.....	2-8	93400136.....	2-7
90548007.....	2-6	93006035.....	2-9	93400136.....	2-8
90548007.....	2-7	93201051.....	2-27	93400136.....	2-8
90548007.....	2-7	93201051.....	2-28	93400136.....	2-9
90548007.....	2-8	93201051.....	2-28	93400136.....	2-9
90548007.....	2-8	93201051.....	2-29	93400136.....	2-10
90548007.....	2-9	93201051.....	2-31	93400136.....	2-10
90548007.....	2-10	93201051.....	2-32	93400136.....	2-11
90548007.....	2-10	93201051.....	2-32	93400136.....	2-11
90548007.....	2-11	93201051.....	2-33	93400136.....	2-24
90548007.....	2-11	93201051.....	2-35	93400136.....	2-25
90548007.....	2-24	93201051.....	2-35	93400136.....	2-27
90548007.....	2-25	93201055.....	2-35	93400136.....	2-28
90557167.....	2-27	93201055.....	2-36	93400136.....	2-29
90557167.....	2-27	93201055.....	2-37	93400136.....	2-29
90557167.....	2-31	93201069.....	2-27	93400136.....	2-31
90557167.....	2-32	93201069.....	2-28	93400136.....	2-32
90557167.....	2-32	93201069.....	2-28	93400136.....	2-33
90557167.....	2-33	93201069.....	2-29	93400136.....	2-33
90557168.....	2-28	93201069.....	2-31	93400149.....	2-6
90557168.....	2-29	93201069.....	2-32	93400149.....	2-6
90557330.....	2-6	93201069.....	2-32	93400149.....	2-7

93400149.....	2-7	93400506.....	2-23	93600077.....	2-27
93400149.....	2-7	93400506.....	2-24	93600077.....	2-28
93400149.....	2-8	93400506.....	2-24	93600077.....	2-28
93400149.....	2-8	93400506.....	2-25	93600077.....	2-29
93400149.....	2-9	93400506.....	2-27	93600077.....	2-31
93400149.....	2-27	93400506.....	2-27	93600077.....	2-32
93400149.....	2-28	93400506.....	2-28	93600077.....	2-33
93400149.....	2-28	93400506.....	2-29	93600077.....	2-33
93400149.....	2-29	93400506.....	2-31	93600553.....	2-5
93400149.....	2-31	93400506.....	2-32	93600553.....	2-6
93400149.....	2-32	93400506.....	2-32	93600553.....	2-6
93400149.....	2-33	93400506.....	2-33	93600553.....	2-7
93400149.....	2-33	93400506.....	2-35	93600553.....	2-7
93400367.....	2-27	93400506.....	2-35	93600553.....	2-8
93400367.....	2-27	93400506.....	2-35	93600553.....	2-8
93400367.....	2-28	93400506.....	2-36	93600553.....	2-9
93400367.....	2-29	93400506.....	2-36	93600553.....	2-10
93400367.....	2-31	93400506.....	2-36	93600553.....	2-10
93400367.....	2-32	93400506.....	2-36	93600553.....	2-11
93400367.....	2-32	93400506.....	2-36	93600553.....	2-11
93400367.....	2-33	93400506.....	2-37	93600553.....	2-11
93400492.....	2-5	93400506.....	2-37	93600553.....	2-12
93400492.....	2-6	93400506.....	2-37	93600553.....	2-12
93400492.....	2-6	93400506.....	2-37	93600553.....	2-12
93400492.....	2-7	93400506.....	2-38	93600553.....	2-13
93400492.....	2-7	93400506.....	2-38	93600553.....	2-24
93400492.....	2-8	93400506.....	2-38	93600553.....	2-24
93400492.....	2-8	93400506.....	2-38	93600553.....	2-25
93400492.....	2-9	93400623.....	2-6	94100509.....	2-35
93400492.....	2-27	93400623.....	2-6	A-1621-35.....	2-48
93400492.....	2-27	93400623.....	2-7	A-1631-19.....	2-48
93400492.....	2-28	93400623.....	2-7	A-1631-19.....	2-55
93400492.....	2-29	93400623.....	2-8	A10033.....	5-75
93400492.....	2-31	93400623.....	2-8	A10037.3.....	5-75
93400492.....	2-31	93400623.....	2-8	A10038.6.....	5-75
93400492.....	2-32	93400623.....	2-9	A10038.7.....	5-75
93400492.....	2-33	93600072.....	2-24	A10040.....	5-75
93400506.....	2-5	93600072.....	2-25	A10048.....	5-75
93400506.....	2-6	93600072.....	2-27	A10049.....	5-75
93400506.....	2-6	93600072.....	2-28	A10052.3.....	5-74
93400506.....	2-7	93600072.....	2-28	A10054.3.....	5-75
93400506.....	2-7	93600072.....	2-29	A10054.6.....	5-75
93400506.....	2-8	93600072.....	2-31	A10054.7.....	5-75
93400506.....	2-8	93600072.....	2-32	A10059.1.....	5-74
93400506.....	2-9	93600072.....	2-33	A10101.....	5-75
93400506.....	2-10	93600072.....	2-33	A10102.....	5-74
93400506.....	2-10	93600077.....	2-6	A10212.....	5-75
93400506.....	2-11	93600077.....	2-6	A10218.....	5-74
93400506.....	2-11	93600077.....	2-7	A10230.....	5-75
93400506.....	2-12	93600077.....	2-7	A10255.....	5-75
93400506.....	2-12	93600077.....	2-8	A10260.1.....	5-75
93400506.....	2-12	93600077.....	2-8	A10283.....	5-75
93400506.....	2-12	93600077.....	2-8	A11489.....	5-75
93400506.....	2-13	93600077.....	2-9	A-21251.....	2-58



A-21282	2-62	B-21145	2-49	BW592A	3-7
A-22367	2-62	B-21715	2-49	BW594	3-6
A-22367	2-70	B-22000	2-62	BW594A	3-6
A-22977	2-61	B-22000	2-70	BW598A	3-6
A-22977	2-69	B-22000	2-70	BW653	3-7
A-23039	2-61	B-22345	2-56	BW663	3-6
A-23039	2-69	B-22390	2-49	BW3720	3-7
A-27314-1	2-75	B-22510-1	2-49	BW3782	3-6
AKH-181-3	2-75	B-22510-1	2-52	BW6420	3-7
AKHD-203-3	2-75	B-22510-1	2-65	BW6461A	3-6
AKQD1001	2-75	B-22510-1	2-65	BW29620	3-7
AKQD1002	2-75	B-22510-1	2-72	BW39520	3-7
AKQD1005	2-75	B-22510-1	2-74	BW39590	3-6
AS1143	1-11	B-22510-2	2-49	BWHM212011	3-7
AS1144	1-11	B-22510-2	2-52	BWHM212049	3-6
AS1146	1-11	B-22510-2	2-65	BWHM218210	3-7
AS1147	1-11	B-22510-2	2-65	BWHM218248	3-6
AS1149	1-11	B-22510-2	2-74	BWHM518410	3-7
AS1150	1-11	B-22510-3	2-49	BWHM518445	3-6
AS69020	2-40	B-22510-3	2-52	BWSET411	3-8
AS69050	2-40	B-22510-3	2-65	BWSET413	3-8
AS69100	2-40	B-22510-3	2-74	BWSET414	3-8
AS71350	2-41	B-22510-4	2-65	BWSET415	3-8
AS74030	2-40	B-22510-4	2-65	BWSET423	3-8
AS74100	2-39	B-22510-4	2-74	BWSET424	3-8
AS77950	2-40	B-22659	2-61	C10035	5-75
AS80500	2-41	B-22659	2-69	C10078	5-75
AS80910	2-41	B-22923	2-61	C10085	5-75
AS82040	2-42	B-22923	2-69	C10108	5-74
AS87080	2-41	B-23025	2-61	C10135	5-75
AS87090	2-41	B-23025	2-69	C10140.1	5-73
AS87130	2-42	B-23149	2-61	C10140.2	5-73
AS87550	2-42	B-23149	2-61	C10140.3	5-73
AS89440	2-42	B-23149	2-69	C10146.1	5-73
AS90390	2-39	B-23149	2-69	C10146.2	5-73
AS91210	2-43	B-23294	2-49	C10146.3	5-73
AS92430	2-43	B-24812	2-49	C10155	5-74
AS92930	2-43	B-24813	2-49	C10177	5-74
AS92950	2-43	B-25284	2-61	C10209	5-75
AS93070	2-43	B-25284	2-69	C10217	5-74
AS93700	2-44	B-25284	2-75	C10233	5-75
AS93940	2-39	B-27264	2-49	C10234	5-75
AS95800	2-39	B-28930	2-62	C10254.1	5-73
AS96400	2-42	B-28930	2-70	C10254.2	5-73
AS99210	2-44	B-28930	2-70	C10254.3	5-73
AS99350	2-44	B-28930	2-70	C10256	5-75
B-2347-7	2-51	B-29095-1	2-51	C10257	5-75
B10036	5-75	B-29095-2	2-51	C10259	5-74
B10066	5-74	B-29148-1	2-51	C10262	5-74
B10130	5-74	B-29148-2	2-51	C10263	5-74
B10229	5-75	BW552A	3-7	C10580.1	5-73
B10236	5-75	BW555S	3-6	C10580.2	5-73
B10261	5-74	BW572	3-7	C10580.3	5-73
B-11613	2-66	BW580	3-6	C10592.2	5-75

C-20011-1.....	2-57	C-23530.....	2-69	CS1094.....	1-16
C-20011-2.....	2-57	C-28224-1.....	2-51	CS1095.....	1-16
C-20012-1.....	2-57	C-28224-2.....	2-51	CS1424.....	1-16
C-20012-2.....	2-57	C-28224-X.....	2-51	CS1424A.....	1-16
C-20013-1.....	2-57	CH111Q1A11.....	2-19	CS1425.....	1-16
C-20013-2.....	2-57	CH121Q1A11.....	2-20	CS1425A.....	1-16
C-20014-1.....	2-57	CH131Q1A11.....	2-21	CS1563.....	1-17
C-20014-2.....	2-57	CH141Q1A11.....	2-22	CS1564.....	1-17
C-20015-1.....	2-57	CH211Q1A11.....	2-18	CS2099.....	1-17
C-20015-2.....	2-57	CH221Q1A11.....	2-20	CS2100.....	1-17
C-20016-1.....	2-57	CH231Q1A11.....	2-21	CS2441A.....	1-16
C-20016-1.....	2-58	CH241Q1A11.....	2-22	CS2441B.....	1-17
C-20016-2.....	2-57	CK1357.....	1-19	CS2442A.....	1-17
C-20016-3.....	2-57	CK2087.....	1-19	CS2442B.....	1-17
C-20040-1.....	2-57	CK2088.....	1-19	CS2443B.....	1-17
C-20040-2.....	2-57	CK2088HD.....	1-19	CS2444B.....	1-17
C-20041-1.....	2-57	CK2090.....	1-19	CS2445A.....	1-17
C-20041-2.....	2-57	CK2122.....	1-19	CS2445B.....	1-17
C-20042-1.....	2-57	CK2287.....	1-19	CS2446A.....	1-17
C-20042-2.....	2-58	CK2291.....	1-19	CS2446B.....	1-17
C-20048-1.....	2-55	CK2363.....	1-19	CS3856.....	1-16
C-20048-2.....	2-55	CK2382.....	1-19	CS3857.....	1-16
C-20192.....	2-49	CK2496.....	1-19	CS3861.....	1-17
C-20401-1.....	2-58	CK2526.....	1-19	CS3862.....	1-17
C-20401-2.....	2-58	CK2670.....	1-19	CS5506.....	1-17
C-21195-1.....	2-58	CK2679.....	1-19	CS5507.....	1-17
C-21195-2.....	2-58	CK2679HD.....	1-19	CS5508.....	1-17
C-21257-1.....	2-58	CK2680.....	1-19	CS5509.....	1-17
C-21257-2.....	2-58	CK3520.....	1-19	CS5510.....	1-17
C-21275.....	2-69	CK3520HD.....	1-19	CS5511.....	1-17
C-21405-1.....	2-58	CK3989.....	1-19	CS5520.....	1-16
C-21405-2.....	2-58	CK3989HD.....	1-19	CS5521.....	1-16
C-22302-2.....	2-48	CK5307.....	1-19	CS5524.....	1-16
C-22302-3.....	2-48	CK6078.....	1-19	CS5525.....	1-16
C-22302-4.....	2-48	CK9078.....	1-19	CS5526.....	1-16
C-22302-4.....	2-52	CK9078HD.....	1-19	CS5527.....	1-16
C-22302-5.....	2-48	CK9079.....	1-19	CS6081.....	1-17
C-22302-6.....	2-48	CK9079HD.....	1-19	CS6082.....	1-17
C-22561-1.....	2-58	CK9790.....	1-19	CS7219.....	1-16
C-22561-2.....	2-58	CK9791.....	1-19	CS7220.....	1-16
C-23086-1.....	2-52	CK9791HD.....	1-19	CS9059.....	1-16
C-23086-1.....	2-66	CK11450.....	1-19	CS9060.....	1-16
C-23086-1.....	2-72	CK11450HD.....	1-19	CS9091.....	1-17
C-23086-1.....	2-74	CK11897.....	1-19	CS9092.....	1-17
C-23086-2.....	2-52	CK437117.....	1-19	CS9093.....	1-17
C-23086-3.....	2-52	CK437118.....	1-19	CS9094.....	1-17
C-23086-4.....	2-52	CL111Q1A11.....	2-18	CS9100.....	1-16
C-23086-7.....	2-52	CL121Q1A11.....	2-20	CS9101.....	1-16
C-23086-7.....	2-52	CL131Q1A11.....	2-21	CS9731.....	1-16
C-23086-8.....	2-52	CL141Q1A11.....	2-22	CS9732.....	1-16
C-23231.....	2-61	CL211Q1A11.....	2-18	CS9733.....	1-16
C-23231.....	2-69	CL221Q1A11.....	2-19	CS9734.....	1-16
C-23232.....	2-61	CL231Q1A11.....	2-21	CS9735.....	1-16
C-23530.....	2-61	CL241Q1A11.....	2-22	CS9736.....	1-16

CS10909.....	1-16	E02-1849-054EA.....	12-6	GMX1615.....	10-11
CS10910.....	1-16	E02-5449-001EA.....	12-4	GMX1616.....	10-11
CS11860.....	1-17	E02-5449-037EA.....	12-5	GMX4304.....	10-11
CS11861.....	1-17	E02-5549-006EA.....	12-6	GMX4307.....	10-11
CS11866.....	1-17	E02-5549-055EA.....	12-7	GMX8973.....	10-11
CS11867.....	1-17	E02-5649-001EA.....	12-6	HT794J.....	4-4
CT111Q1A11.....	2-19	E02-6749-081EA.....	12-6	HT794RD.....	4-4
CT121Q1A11.....	2-20	E03-6772-010EA.....	12-6	HT794RE.....	4-4
CT131Q1A11.....	2-21	E04-1549-365EA.....	12-3	HT799J.....	4-4
CT141Q1A11.....	2-22	E04-1549-814EA.....	12-3	HT799RC.....	4-4
CT211Q1A11.....	2-19	E04-5449-001EA.....	12-4	HT799RD.....	4-4
CT221Q1A11.....	2-20	E04-5549-006EA.....	12-6	HT818K.....	4-4
CT231Q1A11.....	2-21	E04-5549-054EA.....	12-7	HT818RC.....	4-4
CT241Q1A11.....	2-22	E04-5649-001EA.....	12-6	HT818RD.....	4-4
CU111Q1A11.....	2-19	E52-5449-001EA.....	12-4	HT821J.....	4-4
CU121Q1A11.....	2-20	E52-5549-006EA.....	12-7	HT821RC.....	4-4
CU131Q1A11.....	2-21	E52-5649-001EA.....	12-6	HT821RD.....	4-4
CU141Q1A11.....	2-22	EKBA0001.....	2-76	HT840J.....	4-4
CU211Q1A11.....	2-19	EX4515QBLKBXR.....	1-13	HT840RC.....	4-4
CU221Q1A11.....	2-20	EX4703RBLKBXR.....	1-14	HT840RD.....	4-4
CU231Q1A11.....	2-21	EX4707RBLKBXR.....	1-14	HT842J.....	4-4
CU241Q1A11.....	2-22	FB00215.....	7-4	HT842RG.....	4-4
D10116.1.....	5-73	FB00225.....	7-4	HT842RJ.....	4-4
D10116.2.....	5-73	FB00235.....	7-4	HV774311EG.....	1-14
D10116.3.....	5-73	FB00241.....	7-4	HV774311ER.....	1-14
D10201.1.....	5-73	FB00251.....	7-4	HV774515QG.....	1-14
D10201.2.....	5-73	FB00291.....	7-4	HV774515QJ.....	1-14
D10201.3.....	5-73	FB00321.....	7-4	HV774515QR.....	1-14
D-21086-1.....	2-47	FB00351.....	7-4	HV774515TG.....	1-14
D-21086-2.....	2-47	FB00371.....	7-4	HV774515TR.....	1-15
D-21807-1.....	2-74	FB00395.....	7-3	HV774515X3G.....	1-14
D-21807-2.....	2-74	FB00405.....	7-3	HV774515X3R.....	1-15
D-21809-1.....	2-74	FB00415.....	7-3	HV774707QG.....	1-14
D-21809-2.....	2-74	FB00425.....	7-3	HV774707QR.....	1-15
D-23840-1.....	2-47	FB00435.....	7-3	HV774709ES2G.....	1-14
D-23840-2.....	2-47	FB00445.....	7-3	HV774709ES2J.....	1-14
D-24535-1.....	2-48	FB00451.....	7-3	HV774709ES2R.....	1-15
D-24535-2.....	2-48	FB00461.....	7-3	HV774709ESG.....	1-14
D-25430-2.....	2-61	FB00471.....	7-3	HV774709ESR.....	1-15
D-25430-2.....	2-69	FB00481.....	7-3	HV884311EG.....	1-14
D-25430-4.....	2-61	FB00491.....	7-3	HV884311ER.....	1-15
D-25430-4.....	2-69	FB00511.....	7-3	HV884515QG.....	1-14
D-25430-8.....	2-61	FB00525.....	7-3	HV884515QR.....	1-15
D-25430-8.....	2-69	FB00535.....	7-3	HV884515TG.....	1-14
D-26977-15.....	2-52	FB00545.....	7-3	HV884515TR.....	1-15
D-27049-2.....	2-49	FB00551.....	7-3	HV884515X3G.....	1-14
D-27049-8.....	2-49	FB00561.....	7-3	HV884515X3R.....	1-15
D-27049-9.....	2-49	FB00571.....	7-3	HV884707QG.....	1-14
D-27049-10.....	2-49	GMX0101.....	10-11	HV884707QR.....	1-15
D-27049-10.....	2-49	GMX0102.....	10-11	HV884709ES2G.....	1-14
D-28425-1.....	2-51	GMX0104.....	10-11	HV884709ES2R.....	1-15
D-28425-2.....	2-51	GMX0105.....	10-11	HV884709ESG.....	1-14
E02-1249-054EA.....	12-4	GMX0106.....	10-11	HV884709ESR.....	1-15
E02-1249-081EA.....	12-4	GMX0107.....	10-11	K1T8000.....	1-21

K1T8000HD.....	1-21	KSMA2124707QP-B32.....	1-20	LG0065-03.....	5-63
K1T8000MBHD .....	1-21	KSMA2124709E2.....	1-20	LG0068.....	5-67
K1T8014.....	1-21	KSMA2124711QP.....	1-20	LG0070-01.....	5-69
KEG4515F.....	1-20	KSMA2124719E.....	1-20	LG0070-02.....	5-8
KEG4515Q.....	1-20	KSMA2124720QP.....	1-20	LG0070-02.....	5-10
KEG4707QP.....	1-20	KT4311EBLKBXR.....	1-13	LG0070-02.....	5-15
KEG4709ES2.....	1-20	KT4515QBLKBXR.....	1-13	LG0070-02.....	5-17
KMG14311E.....	1-20	KT4515X3BLKBXR.....	1-13	LG0070-02.....	5-29
KMG14311E-B32.....	1-20	KT4692FC11BLKBXR.....	1-13	LG0070-02.....	5-32
KMG14515F-B32.....	1-20	KT4707RBLKBXR.....	1-14	LG0070-02.....	5-35
KMG14515Q.....	1-20	KT4709E11BLKBXR.....	1-14	LG0070-02.....	5-38
KMG14515Q-B32.....	1-20	KT4718RBLKBXR.....	1-14	LG0070-02.....	5-46
KMG14524Q.....	1-20	LB010402.....	10-18	LG0070-02.....	5-64
KMG14524QR.....	1-20	LB011901.....	10-17	LG0070-02.....	5-69
KMG14707QP.....	1-20	LB012001.....	10-18	LG0074.....	5-64
KMG14707QP-B32.....	1-20	LB012202.....	10-18	LG0078-01.....	5-64
KMG14709ES.....	1-20	LB040113.....	10-17	LG0079.....	5-64
KMG14709ES2.....	1-20	LB042502.....	10-17	LG0083-01.....	5-53
KMG14709ES2B32.....	1-20	LB045201.....	10-17	LG0083-02.....	5-53
KMG14709ES-B32.....	1-20	LB045302.....	10-17	LG0083-02-GPC-PK.....	5-53
KP0880.....	5-77	LB045801.....	10-17	LG0083-02-GREY-PC.....	5-53
KP0881.....	5-77	LB045902.....	10-17	LG0083-03.....	5-53
KP0882.....	5-77	LB046201.....	10-17	LG0083-04.....	5-53
KP0883.....	5-77	LB046301.....	10-17	LG0083-05.....	5-53
KP0884.....	5-77	LB046402.....	10-17	LG0083-06.....	5-53
KP0885.....	5-77	LB046501.....	10-18	LG0083-07.....	5-53
KPAAR4.....	5-76	LB046502.....	10-18	LG0083-08.....	5-53
KPAAR4C.....	5-76	LB046701.....	10-18	LG0083-09.....	5-53
KPAAR5C.....	5-76	LB046702.....	10-18	LG0083-10.....	5-53
KPAAR5E.....	5-76	LB047101.....	10-17	LG0083-11.....	5-53
KPAAR880.....	5-76	LF00011.....	7-5	LG0083-12.....	5-53
KPT3C.....	5-76	LF00021.....	7-5	LG0085-P.....	5-57
KPT4C.....	5-76	LG0043-01.....	5-67	*LG0091-#.....	5-61
KPT4E.....	5-76	LG0044-01.....	5-67	LG0094.....	5-59
KPT809.....	5-77	LG0045-01.....	5-67	LG0094-XXXX.....	5-29
KPT809A.....	5-77	LG0048-01.....	5-66	LG0094-XXXX.....	5-32
KPT809AF.....	5-77	LG0048-10.....	5-66	LG0100.....	5-59
KP-T809B.....	5-77	LG0050.....	5-35	LG0123.....	5-67
KP-T809BF.....	5-76	LG0050.....	5-38	LG0124.....	5-67
KPT809C.....	5-77	LG0050-01.....	5-64	LG0172.....	5-58
KP-T809CF.....	5-76	LG0051.....	5-35	LG0177.....	5-49
KPT809E.....	5-77	LG0051.....	5-38	LG0189-01.....	5-44
KP-T809EF.....	5-76	LG0051.....	5-64	LG0204-01.....	5-69
KP-T809F.....	5-76	LG0055.....	5-35	LG0204-04.....	5-69
KPT809GF.....	5-77	LG0055.....	5-38	LG0204-05.....	5-69
KPT847B.....	5-77	LG0055.....	5-46	LG0204-05.....	5-70
KPT847BF.....	5-77	LG0055.....	5-64	LG0259.....	5-14
KPT847F.....	5-77	LG0055-01.....	5-64	LG0259.....	5-17
KPT880.....	5-76	LG0056.....	5-35	LG0259.....	5-50
KPT880C.....	5-76	LG0056.....	5-38	LG0260.....	5-14
KPT880E.....	5-76	LG0056.....	5-46	LG0260.....	5-17
KSMA2124515Q.....	1-20	LG0056.....	5-64	LG0260.....	5-51
KSMA2124515Q-B32.....	1-20	LG0056-02.....	5-64	LG0261-01.....	5-7
KSMA2124707QP.....	1-20	LG0063-10.....	5-70	LG0261-01.....	5-14

LG0261-01.....	5-44	LG0569.....	5-15	LG0718-01.....	5-11
LG0261-01.....	5-46	LG0569-01.....	5-15	LG0718-01.....	5-35
LG0261-01.....	5-51	LG0569-02.....	5-15	LG0718-01.....	5-38
LG0264.....	5-14	LG0569-04.....	5-15	LG0718-01.....	5-67
LG0264.....	5-17	LG0569-20.....	5-18	LG0725.....	5-8
LG0266.....	5-60	LG0569-21.....	5-18	LG0725.....	5-10
LG0266.....	5-62	LG0569-22.....	5-18	LG0725.....	5-35
LG0369-01.....	5-14	LG0573.....	5-68	LG0725.....	5-38
LG0369-01.....	5-17	LG0574-01.....	5-15	LG0725.....	5-66
LG0369-01.....	5-50	LG0574-02.....	5-15	LG0725.....	5-67
LG0369-05.....	5-14	LG0574-04.....	5-15	LG0725.....	5-67
LG0369-05.....	5-17	LG0574-07.....	5-15	LG0730-01.....	5-67
LG0369-05.....	5-50	LG0574-21.....	5-18	LG0732-01.....	5-8
LG0370-01.....	5-14	LG0574-22.....	5-18	LG0732-01.....	5-11
LG0370-01.....	5-17	LG0574-24.....	5-18	LG0732-01.....	5-36
LG0370-01.....	5-51	LG0574-25.....	5-18	LG0732-01.....	5-38
LG0370-05.....	5-14	LG0580-01.....	5-15	LG0732-01.....	5-66
LG0370-05.....	5-17	LG0580-02.....	5-15	LG0732-02.....	5-66
LG0370-05.....	5-51	LG0580-03.....	5-15	LG0740-01.....	5-8
LG0371-01.....	5-7	LG0580-05.....	5-15	LG0740-01.....	5-11
LG0371-01.....	5-14	LG0580-22.....	5-18	LG0740-01.....	5-35
LG0371-01.....	5-52	LG0580-23.....	5-18	LG0740-01.....	5-38
LG0436.....	5-14	LG0580-24.....	5-18	LG0740-01.....	5-67
LG0436.....	5-17	LG0624-01.....	5-8	LG0818.....	5-65
LG0436.....	5-50	LG0624-01.....	5-36	LG0822.....	5-44
LG0437.....	5-7	LG0624-02.....	5-8	LG0827-01.....	5-44
LG0437.....	5-14	LG0624-02.....	5-36	LG0858.....	5-10
LG0437.....	5-51	LG0624-02.....	5-39	LG0858.....	5-17
LG0438.....	5-14	LG0624-03.....	5-8	LG0858.....	5-51
LG0438.....	5-17	LG0624-03.....	5-36	LG0859-01.....	5-10
LG0438.....	5-51	LG0624-07.....	5-8	LG0859-01.....	5-17
LG0473.....	5-68	LG0624-07.....	5-36	LG0859-01.....	5-52
LG0474.....	5-68	LG0624-08.....	5-8	LG0860.....	5-52
LG0475.....	5-68	LG0624-08.....	5-36	LG0860-01.....	5-52
LG0475-01.....	5-68	LG0624-09.....	5-8	LG0860-03.....	5-52
LG0475-03.....	5-68	LG0624-09.....	5-36	LG0861-01.....	5-10
LG0524-01.....	5-61	LG0624-10.....	5-8	LG0861-01.....	5-17
LG0525-01.....	5-61	LG0624-10.....	5-36	LG0861-01.....	5-51
LG0527.....	5-68	LG0624-11.....	5-8	LG-0884-01.....	5-36
LG0531-02.....	5-14	LG0624-11.....	5-36	LG0884-01.....	5-8
LG0531-02.....	5-17	LG0624-11.....	5-39	LG0884-02.....	5-8
LG0541-01.....	5-7	LG0624-43.....	5-11	LG0884-02.....	5-36
LG0541-01.....	5-14	LG0624-43.....	5-39	LG0884-03.....	5-8
LG0541-01.....	5-44	LG0624-45.....	5-11	LG0884-03.....	5-36
LG0541-01.....	5-46	LG0624-45.....	5-39	LG0884-04.....	5-8
LG0543-01.....	5-7	LG0624-46.....	5-11	LG0884-04.....	5-36
LG0543-01.....	5-10	LG0624-47.....	5-11	LG0884-05.....	5-8
LG0543-01.....	5-14	LG0624-48.....	5-11	LG0884-05.....	5-36
LG0543-01.....	5-17	*LG0646-#.....	5-62	LG0884-11.....	5-11
LG0543-01.....	5-44	LG0663-11.....	5-10	LG0884-11.....	5-39
LG0543-01.....	5-46	LG0663-11.....	5-17	LG0884-12.....	5-11
LG0559-10.....	5-10	LG0711.....	5-67	LG0884-12.....	5-39
LG0559-10.....	5-17	LG0714.....	5-67	LG0884-13.....	5-11
LG0559-10.....	5-38	LG0718-01.....	5-8	LG0884-14.....	5-11

LG0884-14.....	5-39	LG0948.....	5-35	LG2187.....	5-35
LG0884-15.....	5-11	LG0948.....	5-38	LG2187.....	5-38
LG0884-15.....	5-39	LG0948.....	5-50	LG2187.....	5-51
LG0910.....	5-52	LG0949.....	5-7	LG2187-01.....	5-35
LG0914-01.....	5-8	LG0949.....	5-10	LG2187-01.....	5-38
LG0914-02.....	5-8	LG0949.....	5-51	LG2197.....	5-35
LG0914-02.....	5-36	LG1326.....	5-11	LG2197.....	5-38
LG0914-02.....	5-36	LG1326.....	5-18	LG2328.....	5-42
LG0914-02.....	5-46	LG1326.....	5-39	LG2328.....	5-48
LG0914-03.....	5-8	LG1468.....	5-49	LG2328.....	5-49
LG0914-03.....	5-36	LG1578.....	5-61	LG2329.....	5-42
LG0914-04.....	5-8	LG1720-10.....	5-48	LG2329.....	5-48
LG0914-04.....	5-36	LG1720-40.....	5-48	LG2329.....	5-49
LG0914-11.....	5-11	LG1721.....	5-48	LG2334.....	5-61
LG0914-11.....	5-39	LG1723-01.....	5-48	LG2392-01.....	5-48
LG0914-12.....	5-11	LG1823-01.....	5-10	LG2392-02.....	5-49
LG0914-12.....	5-39	LG1829.....	5-22	LG2392-03.....	5-42
LG0914-13.....	5-11	LG1829.....	5-66	LG2409-01.....	5-43
LG0914-14.....	5-11	LG1871.....	5-49	LG2409-03.....	5-45
LG0914-14.....	5-39	LG1872.....	5-50	LG2410-01.....	5-43
LG0927.....	5-7	LG1872-02.....	5-50	LG2410-03.....	5-45
LG0927.....	5-10	LG1872-03.....	5-50	LG2427.....	5-70
LG0927.....	5-35	LG1872-04.....	5-50	LG2462.....	5-35
LG0927.....	5-38	LG1874-01.....	5-50	LG2462.....	5-38
LG0927.....	5-46	LG1874-03.....	5-50	LG2462.....	5-59
LG0927.....	5-50	LG1874-04.....	5-50	LG2462-01.....	5-59
LG0928.....	5-7	LG1874-05.....	5-50	LG2462-02.....	5-59
LG0928.....	5-10	LG1877.....	5-49	LG2462-03.....	5-59
LG0928.....	5-44	LG1899.....	5-48	LG2463-01.....	5-35
LG0928.....	5-46	LG1925.....	5-52	LG2463-01.....	5-52
LG0928.....	5-51	LG2003-01.....	5-42	LG-2464-01.....	5-35
LG0935.....	5-38	LG2023.....	5-59	LG2464-01.....	5-52
LG0935-011.....	5-38	LG2032.....	5-42	LG2465-01.....	5-35
LG0936-51.....	5-35	LG2032-01.....	5-42	LG2536.....	5-61
LG0936-51.....	5-38	LG2066.....	5-70	LG2589.....	5-69
LG0944-200.....	5-38	LG2094.....	5-7	LG2727.....	5-67
LG0946.....	5-7	LG2094.....	5-14	LG2789.....	5-62
LG0946.....	5-10	LG2094.....	5-35	LG2790.....	5-62
LG0946.....	5-35	LG2095.....	5-7	LL010301.....	10-14
LG0946.....	5-38	LG2095.....	5-14	LL010402.....	10-14
LG0946.....	5-50	LG2095.....	5-35	LL010504.....	10-14
LG0946-02.....	5-7	LG2130-01.....	5-55	LL010601.....	10-14
LG0946-02.....	5-10	LG2130-02.....	5-55	LL010702.....	10-14
LG0946-02.....	5-35	LG2130-03.....	5-55	LL010804.....	10-14
LG0946-02.....	5-38	LG2130-04.....	5-55	LL010902.....	10-14
LG0946-02.....	5-50	LG2130-05.....	5-55	LL011003.....	10-14
LG0947.....	5-7	LG2130-06.....	5-55	LL011103.....	10-14
LG0947.....	5-10	LG2130-07.....	5-55	LL011202.....	10-14
LG0947.....	5-51	LG2130-08.....	5-55	LL011402.....	10-14
LG0947-02.....	5-7	LG2130-09.....	5-55	LL011801.....	10-14
LG0947-02.....	5-10	LG2130-11.....	5-55	LL011901.....	10-9
LG0947-02.....	5-51	LG2147.....	5-35	LL012001.....	10-16
LG0948.....	5-7	LG2147.....	5-38	LL012103.....	10-16
LG0948.....	5-10	LG2147.....	5-51	LL012202.....	10-16

LL012304.....	10-16	LL044803.....	10-6	MKT4311EHDB .....	1-20
LL012401.....	10-16	LL044902.....	10-7	MKT4515P.....	1-21
LL012502.....	10-16	LL045004.....	10-7	MKT4515PHD .....	1-21
LL012603.....	10-16	LL045103.....	10-6	MKT4515QB.....	1-20
LL012704.....	10-16	LL045201.....	10-6	MKT4515QHDB.....	1-21
LL012802.....	10-16	LL045302.....	10-6	MKT4515QMBB .....	1-21
LL020109.....	10-15	LL045404.....	10-6	MKT4515QMBHDB .....	1-21
LL020309.....	10-15	LL045501.....	10-6	MKT4515U .....	1-21
LL020409.....	10-15	LL045603.....	10-6	MKT4515UHD .....	1-21
LL020509.....	10-15	LL045702.....	10-6	MKT4515X.....	1-20
LL020601.....	10-15	LL045801.....	10-8	MKT4515XHD .....	1-20
LL020714.....	10-15	LL045902.....	10-8	MKT4709ES2B.....	1-21
LL020809.....	10-15	LL046001.....	10-8	MKT4709ESB.....	1-21
LL021009.....	10-14	LL046102.....	10-8	PE10150.....	11-5
LL021101.....	10-14	LL046301.....	10-5	PE10350.....	11-5
LL021201.....	10-10	LL046402.....	10-5	PE10450.....	11-5
LL021303.....	10-10	LL046501.....	10-7	PE10650.....	11-5
LL030101.....	10-10	LL046602.....	10-7	PE10850.....	11-5
LL040203.....	10-8	LL046701.....	10-7	PE10950.....	11-5
LL040304.....	10-8	LL046802.....	10-7	PE12300.....	11-4
LL040509.....	10-8	LL046901.....	10-5	PE12340.....	11-4
LL040702.....	10-8	LL047003.....	10-5	PE12350.....	11-5
LL040803.....	10-8	LL047101.....	10-5	PE12450.....	11-5
LL040904.....	10-8	LL047201.....	10-8	PE12600.....	11-4
LL041009.....	10-8	LL047301.....	10-5	PE12650.....	11-5
LL041102.....	10-8	LL047302.....	10-5	PE12700.....	11-4
LL041201.....	10-6	LL047303.....	10-8	PE12800.....	11-4
LL041302.....	10-6	LL047401.....	10-9	PE12850.....	11-5
LL041403.....	10-7	LL047503.....	10-9	PE12900.....	11-4
LL041504.....	10-7	LL047602.....	10-9	PE12950.....	11-5
LL041802.....	10-5	LL047702.....	10-14	PE15150.....	11-5
LL041904.....	10-5	LL047805.....	10-13	PE15170.....	11-4
LL042002.....	10-5	LL072001.....	10-9	PE15340.....	11-4
LL042102.....	10-9	LL072103.....	10-9	PE15370.....	11-4
LL042204.....	10-9	LL072202.....	10-9	PE15400.....	11-5
LL042304.....	10-9	LL072304.....	10-9	PE15440.....	11-5
LL042403.....	10-5	LL072401.....	10-9	PE15600.....	11-4
LL042604.....	10-5	LL072503.....	10-9	PE15650.....	11-5
LL042703.....	10-5	LL072611.....	10-9	PE15670.....	11-5
LL042804.....	10-5	LL072705.....	10-9	PE15700.....	11-4
LL043001.....	10-8	LL072812.....	10-9	PE15800.....	11-4
LL043102.....	10-8	LL072902.....	10-9	PE15840.....	11-4
LL043201.....	10-7	LL073004.....	10-9	PE15850.....	11-5
LL043302.....	10-7	LL080305.....	10-13	PE15870.....	11-4
LL043503.....	10-6	LL090510.....	10-13	PE15900.....	11-5
LL043802.....	10-9	LL090610.....	10-13	PE15940.....	11-5
LL043902.....	10-16	LL090710.....	10-12	PE15950.....	11-5
LL044001.....	10-7	LL091010.....	10-11	PE20400.....	11-6
LL044103.....	10-7	LL091110.....	10-11	PE21100.....	11-6
LL044204.....	10-7	LL091210.....	10-12	PE21200.....	11-6
LL044302.....	10-7	LL091310.....	10-12	PE24100.....	11-6
LL044412.....	10-13	LL091410.....	10-12	PE24200.....	11-6
LL044601.....	10-9	LL091510.....	10-12	PE26100.....	11-6
LL044701.....	10-6	M82-1545-020150.....	12-4	PE26200.....	11-6

PE27100.....	11-6	RK-V-1997-2.....	5-22	S446-108-201-0.....	1-6
PE27200.....	11-6	RK-V-06388.....	5-62	S446-108-204-0.....	1-6
PKSMA2124515Q.....	1-20	RK-V-06388.....	5-62	S449-326-005-0.....	1-7
PKSMA2124707QP.....	1-20	RK-V-07602-1.....	5-22	S449-326-010-0.....	1-8
PKSMA2124707QPB32.....	1-20	RK-V-07602-1.....	5-59	S449-326-030-0.....	1-7
PSMA2124515Q-B48.....	1-20	RK-V-07602-2.....	5-22	S449-326-047-0.....	1-7
R99-1541-040150.....	12-5	RK-V-07602-2.....	5-59	S449-326-060-0.....	1-7
R99-4441-040150.....	12-6	RK-V-07780.....	5-22	S449-328-110-0.....	1-7
R507002.....	1-21	RK-V-07781.....	5-22	S449-364-142-0.....	1-7
R507008.....	1-21	RRK4311EECN20.....	1-12	S449-364-143-0.....	1-8
R507010.....	1-21	RRK4311EPR20.....	1-12	S449-364-150-0.....	1-7
R507057.....	1-21	RRK4311ESTD20.....	1-12	S449-364-153-0.....	1-7
R507064.....	1-21	RRK4515QECN20.....	1-13	S449-431-015-0.....	1-8
R509000.....	1-21	RRK4515QPR20.....	1-13	S449-713-018-0.....	1-7
R509001.....	1-21	RRK4515QSTD20.....	1-13	S449-713-030-0.....	1-7
R607001.....	1-18	RRK4515X3ECN20.....	1-13	S449-713-050-0.....	1-7
R607002.....	1-18	RRK4515X3PR20.....	1-13	S472-195-033-0.....	1-7
R607162.....	1-18	RRK4515X3STD20.....	1-13	S478-407-058-4.....	1-6
R607171.....	1-18	RRK4707QECN20.....	1-13	S894-604-944-0.....	1-8
R607172.....	1-18	RRK4707QPR20.....	1-13	S894-606-038-0.....	1-7
R607325.....	1-18	RRK4707QSTD20.....	1-13	S894-606-050-0.....	1-8
R607326.....	1-18	RRK4709E2ECN20.....	1-13	S894-606-275-2.....	1-8
R801073.....	1-11	RRK4709E2PR20.....	1-13	S894-607-312-0.....	1-7
R801074.....	1-11	RRK4709E2STD20.....	1-13	S894-607-313-0.....	1-7
R955320.....	1-6	RRK4709EECN20.....	1-13	S-2157.....	2-56
R955321.....	1-6	RRK4709EPR20.....	1-13	S-2160.....	2-56
R955322.....	1-6	RRK4709ESTD20.....	1-13	S-2212.....	2-56
R955323.....	1-6	RRS4311EECN20.....	1-12	S2237Z1222.....	1-6
R955335.....	1-6	RRS4311EPR20.....	1-12	S-2592.....	2-57
R955336.....	1-6	RRS4311ESTD20.....	1-12	S-2723.....	2-57
R955341.....	1-6	RRS4515QECN20.....	1-12	S-2770.....	2-56
R955342.....	1-6	RRS4515QPR20.....	1-12	S3155L1234.....	1-21
R955344.....	1-6	RRS4515QSTD20.....	1-12	S-3646.....	2-56
R955345.....	1-6	RRS4515X3ECN20.....	1-12	S-4903/2.....	2-48
R955347.....	1-6	RRS4515X3PR20.....	1-12	S-6914.....	2-56
R955372.....	1-7	RRS4515X3STD20.....	1-12	S-9002.....	2-57
R955373.....	1-7	RRS4707QECN20.....	1-12	S-14187.....	2-58
R955374.....	1-7	RRS4707QPR20.....	1-12	S-14190-1.....	2-55
R955375.....	1-7	RRS4707QSTD20.....	1-12	S-14190-2.....	2-55
R955378.....	1-7	RRS4709E2ECN20.....	1-12	S-14342-3.....	2-62
R955423.....	1-7	RRS4709E2PR20.....	1-12	S-14342-3.....	2-70
R955458.....	1-6	RRS4709E2STD20.....	1-12	S-20000-1.....	2-54
RK-11284.....	5-15	RRS4709EECN20.....	1-12	S-20000-2.....	2-54
RK-11285.....	5-15	RRS4709EPR20.....	1-12	S-20002.....	2-56
RK-11286.....	5-22	RRS4709ESTD20.....	1-12	S-20007-1.....	2-55
RK-11287.....	5-22	S100-100-002-4.....	1-6	S-20007-2.....	2-55
RK-11288.....	5-8	S400-500-101-0.....	1-6	S-20008-1.....	2-55
RK-11289.....	5-8	S400-500-102-0.....	1-6	S-20008-2.....	2-55
RK-11290.....	5-29	S400-500-103-0.....	1-6	S-20010.....	2-58
RK-11291.....	5-29	S400-500-104-0.....	1-6	S-20023.....	2-58
RK-11321.....	5-32	S400-850-600-0.....	1-6	S-20031.....	2-56
RK-11322.....	5-32	S400-850-601-0.....	1-6	S-20031/2.....	2-49
RK-V-024.....	5-66	S400-850-602-0.....	1-6	S-20033/2.....	2-58
RK-V-1997-1.....	5-22	S432-500-005-0.....	1-6	S-20047-1.....	2-55



S-20047-2	2-55	S-21193-2	2-54	S-22630/2	2-48
S-20064-1	2-55	S-21204-1	2-54	S-22630/2	2-65
S-20064-2	2-55	S-21204-2	2-54	S-22630/2	2-72
S-20065-1	2-55	S-21205-1	2-54	S-22630/2	2-74
S-20065-2	2-55	S-21205-2	2-54	S-22631 / 2	2-51
S-20069	2-57	S-21208	2-58	S-22631/2	2-48
S-20126	2-56	S-21332-1	2-54	S-22631/2	2-65
S-20149-1	2-55	S-21332-2	2-54	S-22631/2	2-74
S-20149-2	2-55	S-21433	2-62	S-22632 / 2	2-51
S-20190-1	2-55	S-21433	2-70	S-22632/2	2-48
S-20190-2	2-55	S-21433-1	2-62	S-22632/2	2-65
S-20218	2-56	S-21433-1	2-70	S-22632/2	2-74
S-20896/2	2-49	S-21553	2-56	S-22635/2	2-65
S-20905	2-49	S-21590-1	2-54	S-22635/2	2-74
S-20905	2-52	S-21590-2	2-54	S-22770-1	2-47
S-20905	2-52	S-21592-1	2-54	S-22770-2	2-47
S-20924	2-48	S-21592-2	2-54	S-22776-1	2-47
S-20924	2-52	S-21626-1	2-47	S-22776-2	2-47
S-20924	2-56	S-21626-2	2-47	S-22872-1	2-47
S-20924	2-66	S-21628-1	2-47	S-22872-2	2-47
S-20924	2-72	S-21628-2	2-47	S-22907 / 2	2-51
S-20924	2-74	S-21629-1	2-47	S-22948	2-65
S-20925	2-48	S-21629-2	2-48	S-22948	2-72
S-20925	2-52	S-21699	2-56	S-22948	2-74
S-20925	2-56	S-21736-1	2-54	S-22997-1	2-65
S-20925	2-66	S-21736-2	2-54	S-22997-2	2-65
S-20925	2-72	S-21784	2-48	S-23000-1	2-47
S-20925	2-74	S-21784	2-51	S-23000-2	2-47
S-21028-1	2-47	S-21786	2-49	S-23150-1	2-62
S-21028-2	2-47	S-21800	2-48	S-23150-1	2-70
S-21028-3	2-47	S-21800	2-51	S-23150-2	2-62
S-21028-4	2-47	S-21800	2-72	S-23150-2	2-70
S-21082-1	2-47	S-21800	2-74	S-23150-3	2-62
S-21082-2	2-47	S-21808-1	2-74	S-23150-3	2-70
S-21082-3	2-47	S-21808-2	2-74	S-23294	2-49
S-21082-4	2-47	S-21905-1	2-47	S-23361	2-49
S-21083-1	2-47	S-21905-2	2-47	S-23361	2-52
S-21083-2	2-47	S-21906-1	2-47	S-23361	2-52
S-21084-1	2-47	S-21906-2	2-47	S-23566	2-49
S-21084-2	2-47	S-22137-1	2-55	S-23566	2-52
S-21085-1	2-47	S-22137-2	2-55	S-23566	2-72
S-21085-2	2-47	S-22138-1	2-55	S-23566	2-74
S-21099	2-48	S-22138-2	2-55	S-23651	2-52
S-21099	2-56	S-22365-1	2-65	S-23655	2-75
S-21099	2-74	S-22365-2	2-65	S-23743	2-52
S-21140	2-56	S-22420-1	2-54	S-24021	2-49
S-21145	2-52	S-22420-2	2-54	S-24021	2-49
S-21165-1	2-54	S-22619 / 2	2-51	S-24023	2-49
S-21165-2	2-54	S-22619/2	2-48	S-24023	2-52
S-21179-1	2-54	S-22619/2	2-65	S-24049 / 2	2-52
S-21179-2	2-54	S-22619/2	2-65	S-24049/2	2-66
S-21179-3	2-54	S-22619/2	2-72	S-24049/2	2-72
S-21179-4	2-54	S-22619/2	2-74	S-24049/2	2-74
S-21193-1	2-54	S-22630 / 2	2-51	S-24088	2-66

S-24232	2-75	S-27836	2-61	SB13030	1-5
S-24459	2-62	S-27836	2-69	SB23030	1-5
S-24459	2-70	S-28061-1	2-61	SB33030	1-5
S-24460	2-62	S-28061-1	2-69	SB43030	1-5
S-24460	2-70	S-28061-2	2-61	SB53030	1-5
S-24579	2-52	S-28061-2	2-69	SB63030	1-5
S-24679	2-48	S-28062-1	2-61	SB73030	1-5
S-24679	2-56	S-28062-1	2-69	SB83030	1-5
S-24679	2-74	S-28062-2	2-61	SET427SKF	3-8
S-24680	2-48	S-28062-2	2-69	SET431SKF	3-8
S-24691	2-48	S-28135-1	2-47	SL0A1238	2-19
S-24691	2-56	S-28135-2	2-47	SL0A1238	2-19
S-24691	2-74	S-28289	2-61	SL0A1238	2-20
S-24705	2-52	S-28289	2-70	SL0A1238	2-20
S-24705	2-66	S-28290	2-61	SL0A1238	2-21
S-24705	2-72	S-28290	2-61	SL0A1238	2-21
S-24851-1	2-47	S-28290	2-70	SL0A1238	2-22
S-24851-2	2-47	S-28290	2-70	SL0A1238	2-22
S-25592	2-61	S-28531-1L	2-71	SL0A1239-01	2-19
S-25592	2-69	S-28531-1R	2-72	SL0A1239-01	2-20
S-26321	2-52	S-28531-3L	2-72	SL0A1239-01	2-21
S-26321	2-66	S-28531-3R	2-72	SL0A1239-01	2-22
S-26321	2-72	S-28654	2-48	SL0A1239-02	2-19
S-26369	2-48	S-28929	2-65	SL0A1239-02	2-20
S-26773	2-48	S-29802-1L	2-65	SL0A1239-02	2-21
S-26773	2-51	S-29802-1L	2-72	SL0A1239-02	2-22
S-26807	2-52	S-29802-1R	2-65	SL0A1261	2-19
S-26807	2-66	S-29802-1R	2-72	SL0A1261	2-19
S-26807	2-72	S-29822	2-51	SL0A1261	2-20
S-26978-1L	2-48	SA1-3237K1129	1-7	SL0A1261	2-20
S-26978-1R	2-48	SA1-3237L1130	1-7	SL0A1261	2-21
S-26978-2L	2-48	SA00043	7-6	SL0A1261	2-21
S-26978-2R	2-48	SA00053	7-6	SL0A1261	2-22
S-27042	2-65	SA00062	7-5	SL0A1261	2-22
S-27042	2-72	SA00072	7-5	SL0A1269-01	2-19
S-27196	2-49	SA00091	7-5	SL0A1269-01	2-20
S-27196	2-52	SA00101	7-5	SL0A1269-01	2-21
S-27196	2-66	SA00111	7-5	SL0A1269-01	2-22
S-27196	2-72	SA00121	7-5	SL0A1269-02	2-19
S-27196	2-74	SA00132	7-5	SL0A1269-02	2-20
S-27330	2-48	SA-1100-10	2-61	SL0A1269-02	2-21
S-27330	2-51	SA-1100-10	2-69	SL0A1269-02	2-22
S-27330	2-55	SA-1500-2	2-62	SL0A1273	2-19
S-27341	2-48	SA-1500-2	2-70	SL0A1273	2-19
S-27447-1	2-66	SA-1700-12	2-62	SL0A1273	2-20
S-27447-1	2-72	SA-1700-12	2-70	SL0A1273	2-20
S-27447-2	2-66	SA-5200-6	2-62	SL0A1273	2-21
S-27447-2	2-72	SA-5200-6	2-70	SL0A1273	2-21
S-27447-3	2-66	SA-6900-2	2-62	SL0A1273	2-22
S-27447-3	2-72	SA-6900-2	2-70	SL0A1273	2-22
S-27447-4	2-66	SA-8100-4	2-62	SL0A1274	2-19
S-27447-4	2-72	SA-8100-4	2-70	SL0A1274	2-19
S-27614-1	2-54	SA-9000-5	2-61	SL0A1274	2-20
S-27614-2	2-54	SA-9000-5	2-69	SL0A1274	2-20

SL0A1274.....	2-21	V82-2749-020150.....	12-4	VS-26988-1.....	2-75
SL0A1274.....	2-21	V82-4441-010150.....	12-5	VS-26988-2.....	2-75
SL0A1274.....	2-22	V82-4441-020150.....	12-6	VS-27116.....	2-75
SL0A1274.....	2-22	V82-5449-020150.....	12-5	VS-27364.....	2-75
SL0A1277-01.....	2-19	V82-5549-010150.....	12-6	VS-27365.....	2-75
SL0A1277-01.....	2-19	V82-5549-018150.....	12-6	VS-27366.....	2-75
SL0A1277-01.....	2-20	V82-5549-020150.....	12-7	WE1090L.....	3-12
SL0A1277-01.....	2-20	V82-5549-030150.....	12-7	WE1090R.....	3-12
SL0A1277-01.....	2-21	V82-5649-020150.....	12-7	WE1202.....	3-13
SL0A1277-01.....	2-21	V82-6849-010150.....	12-4	WE1270.....	3-13
SL0A1277-01.....	2-22	V82-6849-020150.....	12-4	WE1320L.....	3-12
SL0A1277-01.....	2-22	V92-1249-010150.....	12-3	WE1320R.....	3-12
SL0523-07.....	2-19	V92-1249-020150.....	12-4	WE1339L.....	3-12
SL0523-07.....	2-19	V92-1249-060150.....	12-3	WE1339R.....	3-12
SL0523-07.....	2-20	V92-1549-010150.....	12-3	WE2193.....	3-11
SL0523-07.....	2-20	V92-1549-020150.....	12-4	WE3122.....	3-11
SL0523-07.....	2-21	V92-1549-060150.....	12-4	WE4956.....	3-11
SL0523-07.....	2-21	V92-1849-020150.....	12-5	WE4963.....	3-9
SL0523-07.....	2-22	V92-2349-010150.....	12-3	WE4966L.....	3-12
SL0523-07.....	2-22	V92-2349-020150.....	12-3	WE4966R.....	3-12
SL0893.....	2-19	V92-2749-010150.....	12-3	WE4967L.....	3-12
SL0893.....	2-19	V92-2749-020150.....	12-4	WE4967R.....	3-12
SL0893.....	2-20	V92-4441-010150.....	12-5	WE4969L.....	3-12
SL0893.....	2-20	V92-4441-020150.....	12-5	WE4969R.....	3-12
SL0893.....	2-21	V92-5449-020150.....	12-5	WE5554L.....	3-9
SL0893.....	2-21	V92-5549-010150.....	12-6	WE5554R.....	3-9
SL0893.....	2-22	V92-5549-020150.....	12-7	WE5556L.....	3-11
SL0893.....	2-22	V92-5649-020150.....	12-7	WE5556R.....	3-11
SMA2124311E.....	1-20	V92-6849-010150.....	12-3	WE5559L.....	3-11
SMA2124515F3.....	1-20	V92-6849-020150.....	12-4	WE5559R.....	3-11
SMA2124703QP.....	1-20	V97-L264-010150.....	12-3	WE5560L.....	3-11
SMA2124710QP.....	1-20	V97-L264-060150.....	12-3	WE5560R.....	3-11
SMG14515Q-B48.....	1-20	VS-227.....	2-58	WE5561L.....	3-11
SW40136.....	3-4	VS-227.....	2-66	WE5561R.....	3-11
SW42622.....	3-4	VS-227.....	2-75	WE5576L.....	3-9
SW42623.....	3-4	VS-228.....	2-75	WE5576R.....	3-9
SW46305.....	3-4	VS-1128.....	2-58	WE5652L.....	3-9
SW370025A.....	3-4	VS-22535.....	2-75	WE5652R.....	3-9
SW370065A.....	3-4	VS-22535.....	2-75	WE5719L.....	3-11
TNSK1.....	3-5	VS-23224.....	2-61	WE5719R.....	3-11
TNSK2.....	3-5	VS-23224.....	2-69	WE5720L.....	3-11
V42-5549-020150.....	12-7	VS-23460.....	2-58	WE5720R.....	3-11
V52-5449-020150.....	12-5	VS-23588.....	2-75	WE5722L.....	3-12
V52-5549-020150.....	12-7	VS-24053.....	2-75	WE5722R.....	3-12
V52-5649-020150.....	12-7	VS-24053.....	2-76	WE5766L.....	3-12
V82-1249-010150.....	12-4	VS-24988.....	2-75	WE5766R.....	3-12
V82-1249-020150.....	12-4	VS-25223.....	2-61	WE5870L.....	3-12
V82-1549-010150.....	12-3	VS-25223.....	2-69	WE5870R.....	3-12
V82-1549-020150.....	12-4	VS-25223.....	2-75	WE5871L.....	3-12
V82-1849-010150.....	12-5	VS-25224.....	2-61	WE5871R.....	3-12
V82-1849-020150.....	12-5	VS-25224.....	2-69	WE5872.....	3-11
V82-2349-010150.....	12-3	VS-25224.....	2-75	WE5896L.....	3-11
V82-2349-020150.....	12-3	VS-25849.....	2-61	WE5896R.....	3-11
V82-2749-010150.....	12-4	VS-25849.....	2-69	WE5900L.....	3-10

WE5900R	3-11	WE8968R	3-11	XA-CRP-V-06635	5-37
WE5910L	3-11	WE8969L	3-12	XA-CRP-V-06635	5-44
WE5910R	3-11	WE8969R	3-12	XA-CRP-V-06635	5-46
WE5924L	3-11	WE8972L	3-10	XA-H-06628-000-0	5-23
WE5924R	3-11	WE8972R	3-10	XA-H-06628-010-1	5-24
WE5977L	3-9	WE8976L	3-11	XA-H-06628-010-3	5-24
WE5977R	3-9	WE8976R	3-11	XA-H-06628-101-0	5-23
WE5978L	3-10	WE8979L	3-12	XA-H-06628-111-1	5-24
WE5978R	3-10	WE8979R	3-12	XA-H-06628-111-3	5-24
WE5982L	3-10	WE8981	3-13	XA-H-06628-202-0	5-24
WE5982R	3-10	WE8983L	3-12	XA-H-06628-212-1	5-24
WE5983L	3-11	WE8983R	3-12	XA-H-06628-212-3	5-24
WE5983R	3-11	WE8985L	3-12	XA-H-06628-303-0	5-24
WE5986L	3-10	WE8985R	3-12	XA-H-06628-313-1	5-24
WE5986R	3-10	WE8987	3-13	XA-H-06628-313-3	5-24
WE5988L	3-10	WE8990L	3-10	XA-H-06628-404-0	5-24
WE5988R	3-10	WE8990R	3-10	XA-H-06628-414-1	5-24
WE5989L	3-11	WE9001L	3-10	XA-H-06628-414-3	5-24
WE5989R	3-11	WE9001R	3-10	XA-H-06628-505-0	5-24
WE5991	3-9	WE9020	3-9	XA-H-06628-515-1	5-24
WE5995L	3-9	WE10206L	3-11	XA-H-06628-515-3	5-24
WE5995R	3-9	WE10206R	3-11	XA-HV-796	5-21
WE5996L	3-9	WE10208L	3-12	XA-LG0570-01	5-7
WE5996R	3-9	WE10208R	3-12	XA-LG0570-01	5-10
WE5997	3-11	WE10209L	3-13	XA-LG0570-01	5-14
WE5998	3-11	WE10209R	3-13	XA-LG0570-01	5-16
WE5999	3-11	WE10210L	3-12	XA-LG0570-01	5-34
WE6000	3-9	WE10210R	3-12	XA-LG0570-01	5-37
WE6001	3-10	WE10215	3-13	XA-LG0570-01	5-44
WE6027L	3-10	WE10217	3-13	XA-LG0570-01	5-46
WE6027R	3-10	WE10218	3-13	XA-LG0880	5-7
WE6030	3-10	WE10219	3-13	XA-LG0880	5-10
WE6034	3-12	WE10220	3-13	XA-LG0880	5-35
WE6035	3-13	WE10221	3-13	XA-LG0880	5-38
WE6036	3-13	WE10222	3-13	XA-LG0880	5-42
WE6058L	3-10	WE10223	3-13	XA-LG0880	5-43
WE6058R	3-10	WE10225L	3-12	XA-LG0880	5-45
WE6059L	3-10	WE10225R	3-12	XA-LG0880	5-47
WE6059R	3-10	WE10227L	3-12	XA-LG0880	5-49
WE6060L	3-9	WE10227R	3-12	XA-S0208	5-27
WE6060R	3-9	WE10228L	3-12	XA-S01681	5-27
WE7895L	3-10	WE10228R	3-12	XA-S03010	5-64
WE7895R	3-10	WE10675	3-13	XA-S04475	5-27
WE7896L	3-10	WE10676	3-13	XA-V-90-0	5-27
WE7896R	3-10	WE12016	3-13	XA-V-90-0	5-54
WE7897L	3-10	XA-03694	5-27	XA-V-90-1	5-27
WE7897R	3-10	XA-04681	5-64	XA-V-90-1	5-54
WE7898L	3-10	XA-60024	5-57	XA-V-90-2	5-27
WE7898R	3-10	XA-CRP-V-06633	5-21	XA-V-90-2	5-54
WE8947L	3-12	XA-CRP-V-06634	5-21	XA-V-90-3	5-27
WE8947R	3-12	XA-CRP-V-06635	5-7	XA-V-90-3	5-54
WE8949L	3-12	XA-CRP-V-06635	5-9	XA-V-90-4	5-27
WE8949R	3-12	XA-CRP-V-06635	5-21	XA-V-90-4	5-54
WE8968L	3-11	XA-CRP-V-06635	5-34	XA-V-90-5	5-27

XA-V-90-5.....	5-54	XA-V-06618.....	5-20	XB-BAL-023-07.....	5-17
XA-V-90-6.....	5-27	XA-V-06623-A.....	5-26	XB-BAL-023-07.....	5-35
XA-V-90-6.....	5-54	XA-V-06623-B.....	5-26	XB-BAL-023-07.....	5-38
XA-V-90-7.....	5-27	XA-V-06623-C.....	5-26	XB-BAL-023-07.....	5-44
XA-V-90-7.....	5-54	XA-V-06623-D.....	5-26	XB-BAL-023-07.....	5-46
XA-V-90-8.....	5-27	XA-V-06624-A.....	5-26	XB-BRG-013-70.....	5-42
XA-V-90-8.....	5-54	XA-V-06624-C.....	5-26	XB-BRG-013-70.....	5-48
XA-V-90-10.....	5-27	XA-V-06624-D.....	5-26	XB-BRG-013-70.....	5-49
XA-V-90-10.....	5-54	XA-V-06625-A.....	5-26	XB-BRG-013-77.....	5-7
XA-V-90-11.....	5-27	XA-V-06625-B.....	5-26	XB-BRG-013-77.....	5-9
XA-V-90-11.....	5-54	XA-V-06625-C.....	5-26	XB-BRG-013-77.....	5-14
XA-V-90-12.....	5-27	XA-V-06629.....	5-21	XB-BRG-013-77.....	5-16
XA-V-90-12.....	5-54	XA-V-07085.....	5-21	XB-BRG-013-77.....	5-34
XA-V-90-13.....	5-27	XA-V-07132-0.....	5-23	XB-BRG-013-77.....	5-37
XA-V-90-13.....	5-54	XA-V-07132-1.....	5-23	XB-BRG-013-77.....	5-44
XA-V-90-146.....	5-27	XA-V-07132-2.....	5-23	XB-BRG-013-77.....	5-46
XA-V-90-146.....	5-54	XA-V-07132-3.....	5-23	XB-C-38-C-214.....	5-62
XA-V-90-161.....	5-27	XA-V-07132-4.....	5-23	XB-CP4651-16.....	5-42
XA-V-90-161.....	5-54	XA-V-07132-5.....	5-23	XB-CP4651-16.....	5-48
XA-V-350.....	5-71	XA-V-07133-0.....	5-23	XB-CP4651-16.....	5-49
XA-V-350-R.....	5-71	XA-V-07133-1.....	5-23	XB-CP4651-16.....	5-58
XA-V-630-2.....	5-22	XA-V-07133-2.....	5-23	XB-CRP-V-06635.....	5-14
XA-V-630-2.....	5-58	XA-V-07133-3.....	5-23	XB-CRP-V-06635.....	5-16
XA-V-630-2.....	5-59	XA-V-07133-4.....	5-23	XB-CTP-014-59.....	2-19
XA-V-796-B-1.....	5-21	XA-V-07133-5.....	5-23	XB-CTP-014-59.....	2-19
XA-V-796-L.....	5-21	XA-V-07601-1.....	5-22	XB-CTP-014-59.....	2-20
XA-V-796-LWS.....	5-21	XA-V-07601-1.....	5-59	XB-CTP-014-59.....	2-20
XA-V-796-RCF.....	5-22	XA-V-07601-2.....	5-22	XB-CTP-014-59.....	2-21
XA-V-796-RCF.....	5-66	XA-V-07601-2.....	5-59	XB-CTP-014-59.....	2-21
XA-V-796-WS.....	5-21	XB-21-S-218-1500.....	5-21	XB-CTP-014-59.....	2-22
XA-V-971.....	5-22	XB-21-S-375-1500.....	5-59	XB-CTP-014-59.....	2-22
XA-V-971.....	5-58	XB-21-S-375-3000.....	5-22	XB-DCL-031-60.....	5-42
XA-V-1901-1.....	5-21	XB-21-S-375-3000.....	5-69	XB-DCL-031-66.....	5-49
XA-V-1901-2.....	5-69	XB-338.....	5-21	XB-DCL-031-79.....	5-48
XA-V-1901-3.....	5-69	XB-338.....	5-62	XB-GP-014-07.....	5-7
XA-V-1902-1.....	5-21	XB-767.....	5-22	XB-GP-014-07.....	5-14
XA-V-1903-1.....	5-21	XB-767-L.....	5-22	XB-GP-014-07.....	5-42
XA-V-1903-1.....	5-69	XB-1108.....	5-62	XB-GP-014-07.....	5-44
XA-V-1903-2.....	5-69	XB-01789.....	5-22	XB-GP-014-07.....	5-46
XA-V-1903-3.....	5-69	XB-01977.....	5-21	XB-GP-014-07.....	5-47
XA-V-1916.....	5-22	XB-3103.....	5-22	XB-GP-014-07.....	5-49
XA-V-1916.....	5-59	XB-3103.....	5-59	XB-GP-38-1-12-E.....	5-21
XA-V-1916-1.....	5-22	XB-03695.....	5-71	XB-GP-38-138-5.....	5-22
XA-V-1916-1.....	5-59	XB-03857.....	5-71	XB-GP-052-22.....	5-10
XA-V-1938.....	5-22	XB-04523.....	5-59	XB-GP-052-22.....	5-17
XA-V-1938.....	5-61	XB-04676.....	5-68	XB-GP-052-43.....	5-56
XA-V-1938.....	5-62	XB-06179-2.....	5-22	XB-GP-052-49.....	5-36
XA-V-06600.....	5-21	XB-06372.....	5-20	XB-GP-052-49.....	5-39
XA-V-06601.....	5-21	XB-07618.....	5-22	XB-GRF-022-16.....	5-7
XA-V-06602.....	5-21	XB-07618.....	5-59	XB-GRF-022-16.....	5-14
XA-V-06603.....	5-21	XB-BAL-023-01.....	5-21	XB-GRF-022-16.....	5-35
XA-V-06604-1.....	5-21	XB-BAL-023-07.....	5-7	XB-GRF-022-16.....	5-42
XA-V-06606.....	5-21	XB-BAL-023-07.....	5-10	XB-GRF-022-16.....	5-44
XA-V-06611.....	5-21	XB-BAL-023-07.....	5-14	XB-GRF-022-16.....	5-46

XB-GRF-022-16.....	5-48	XB-HHC-050-69 .....	5-65	XB-LG0658-01.....	5-35
XB-GRF-022-16.....	5-49	XB-HHC-050-69 .....	5-66	XB-LG0658-01.....	5-38
XB-HHB-050-58.....	5-68	XB-HHC-050-69 .....	5-69	XB-LG0659-01.....	5-7
XB-HHB-050-70.....	5-8	XB-HHC-050-70 .....	5-29	XB-LG0659-01.....	5-10
XB-HHB-050-70.....	5-11	XB-HHC-050-70 .....	5-32	XB-LG0659-01.....	5-14
XB-HHB-050-70.....	5-35	XB-HHC-050-114.....	5-22	XB-LG0659-01.....	5-17
XB-HHB-050-70.....	5-38	XB-HHC-050-114.....	5-66	XB-LG0659-01.....	5-35
XB-HHB-050-70.....	5-66	XB-KEY-018-02 .....	5-7	XB-LG0659-01.....	5-38
XB-HHB-050-70.....	5-67	XB-KEY-018-02 .....	5-10	XB-LG0660.....	5-7
XB-HHB-050-70.....	5-68	XB-KEY-018-02 .....	5-14	XB-LG0660.....	5-10
XB-HHC-001-33 .....	2-5	XB-KEY-018-02 .....	5-17	XB-LG0660.....	5-14
XB-HHC-001-33 .....	2-6	XB-KEY-018-02 .....	5-35	XB-LG0660.....	5-17
XB-HHC-001-33 .....	2-6	XB-KEY-018-02 .....	5-38	XB-LG0663.....	5-7
XB-HHC-001-33 .....	2-7	XB-KEY-018-02 .....	5-44	XB-LG0663.....	5-44
XB-HHC-001-33 .....	2-7	XB-KEY-018-02 .....	5-46	XB-LG0663.....	5-46
XB-HHC-001-33 .....	2-8	XB-LG0085.....	5-62	XB-LG0713.....	5-22
XB-HHC-001-33 .....	2-8	XB-LG0085.....	5-62	XB-LG0713.....	5-66
XB-HHC-001-33 .....	2-9	XB-LG0219-01.....	5-7	XB-LG0713.....	5-67
XB-HHC-001-33 .....	2-10	XB-LG0219-01.....	5-10	XB-LG0726.....	5-8
XB-HHC-001-33 .....	2-10	XB-LG0219-01.....	5-14	XB-LG0726.....	5-11
XB-HHC-001-33 .....	2-11	XB-LG0219-01.....	5-17	XB-LG0726.....	5-35
XB-HHC-001-33 .....	2-11	XB-LG0219-01.....	5-44	XB-LG0726.....	5-38
XB-HHC-001-33 .....	2-19	XB-LG0219-01.....	5-46	XB-LG0726.....	5-66
XB-HHC-001-33 .....	2-19	XB-LG219-02.....	5-11	XB-LG0726.....	5-67
XB-HHC-001-33 .....	2-20	XB-LG219-02.....	5-17	XB-LG0726.....	5-67
XB-HHC-001-33 .....	2-20	XB-LG0219-02.....	5-39	XB-LG0762.....	5-66
XB-HHC-001-33 .....	2-21	XB-LG0413.....	5-14	XB-LG0857-01.....	5-10
XB-HHC-001-33 .....	2-22	XB-LG0413.....	5-17	XB-LG0857-01.....	5-17
XB-HHC-001-33 .....	2-22	XB-LG0428.....	5-7	XB-LG0891.....	5-35
XB-HHC-001-33 .....	2-23	XB-LG0428.....	5-10	XB-LG0891.....	5-38
XB-HHC-001-40 .....	5-49	XB-LG0428.....	5-14	XB-LG0893.....	5-7
XB-HHC-050-42 .....	5-7	XB-LG0428.....	5-17	XB-LG0893.....	5-10
XB-HHC-050-42 .....	5-10	XB-LG0428.....	5-44	XB-LG0893.....	5-35
XB-HHC-050-42 .....	5-14	XB-LG0428.....	5-46	XB-LG0893.....	5-38
XB-HHC-050-42 .....	5-17	XB-LG0472.....	5-68	XB-LG0893.....	5-42
XB-HHC-050-42 .....	5-29	XB-LG0542-01.....	5-7	XB-LG0893.....	5-43
XB-HHC-050-42 .....	5-32	XB-LG0542-01.....	5-10	XB-LG0893.....	5-45
XB-HHC-050-42 .....	5-35	XB-LG0542-01.....	5-14	XB-LG0893.....	5-47
XB-HHC-050-42 .....	5-38	XB-LG0542-01.....	5-17	XB-LG0893.....	5-49
XB-HHC-050-42 .....	5-42	XB-LG0542-01.....	5-44	XB-LG0931.....	5-35
XB-HHC-050-42 .....	5-44	XB-LG0542-01.....	5-46	XB-LG0931.....	5-38
XB-HHC-050-42 .....	5-46	XB-LG0544.....	5-7	XB-LG0934.....	5-38
XB-HHC-50-42 .....	5-48	XB-LG0544.....	5-9	XB-LG0944-100.....	5-35
XB-HHC-50-42 .....	5-49	XB-LG0544.....	5-14	XB-LG1460.....	5-42
XB-HHC-050-65 .....	5-70	XB-LG0544.....	5-16	XB-LG1460.....	5-48
XB-HHC-050-69 .....	5-8	XB-LG0544.....	5-34	XB-LG1460.....	5-49
XB-HHC-050-69 .....	5-10	XB-LG0544.....	5-37	XB-LG1570.....	5-10
XB-HHC-050-69 .....	5-15	XB-LG0544.....	5-44	XB-LG1570.....	5-17
XB-HHC-050-69 .....	5-17	XB-LG0544.....	5-46	XB-LG1570.....	5-22
XB-HHC-050-69 .....	5-29	XB-LG0559.....	5-22	XB-LG1570.....	5-38
XB-HHC-050-69 .....	5-32	XB-LG0658-01.....	5-7	XB-LG1823-01.....	5-7
XB-HHC-050-69 .....	5-35	XB-LG0658-01.....	5-10	XB-LG1823-01.....	5-35
XB-HHC-050-69 .....	5-38	XB-LG0658-01.....	5-14	XB-LG1823-01.....	5-38
XB-HHC-050-69 .....	5-46	XB-LG0658-01.....	5-17	XB-LG1823-01.....	5-44

XB-LG1823-01.....	5-46	XB-SL0A1054.....	2-22	XB-SPG-020-35.....	2-21
XB-LG2026.....	5-42	XB-SL0A1054.....	2-22	XB-SPG-020-35.....	2-21
XB-LG2026.....	5-48	XB-SLN-012-04.....	5-7	XB-SPG-020-35.....	2-22
XB-LG2026.....	5-49	XB-SLN-012-04.....	5-10	XB-SPG-020-35.....	2-22
XB-LG2027.....	5-42	XB-SLN-012-04.....	5-14	XB-SPG-020-36.....	5-7
XB-LG2027.....	5-47	XB-SLN-012-04.....	5-17	XB-SPG-020-36.....	5-10
XB-LG2027.....	5-49	XB-SLN-012-04.....	5-29	XB-SPG-020-36.....	5-14
XB-PW-016-03.....	5-7	XB-SLN-012-04.....	5-29	XB-SPG-020-36.....	5-17
XB-PW-016-03.....	5-10	XB-SLN-012-04.....	5-29	XB-SPG-020-36.....	5-35
XB-PW-016-03.....	5-14	XB-SLN-012-04.....	5-32	XB-SPG-020-36.....	5-38
XB-PW-016-03.....	5-17	XB-SLN-012-04.....	5-32	XB-SPG-020-36.....	5-44
XB-PW-016-03.....	5-35	XB-SLN-012-04.....	5-32	XB-SPG-020-36.....	5-46
XB-PW-016-03.....	5-38	XB-SLN-012-04.....	5-35	XB-STS-008-11.....	5-7
XB-PW-016-03.....	5-44	XB-SLN-012-04.....	5-38	XB-STS-008-11.....	5-10
XB-PW-016-03.....	5-46	XB-SLN-012-04.....	5-42	XB-STS-008-11.....	5-14
XB-PW-016-19.....	5-7	XB-SLN-012-04.....	5-44	XB-STS-008-11.....	5-17
XB-PW-016-19.....	5-10	XB-SLN-012-04.....	5-46	XB-STS-008-11.....	5-28
XB-PW-016-19.....	5-14	XB-SLN-012-04.....	5-48	XB-STS-008-11.....	5-31
XB-PW-016-19.....	5-17	XB-SLN-012-04.....	5-49	XB-STS-008-11.....	5-35
XB-PW-016-19.....	5-35	XB-SLN-012-04.....	5-65	XB-STS-008-11.....	5-38
XB-PW-016-19.....	5-38	XB-SLN-012-04.....	5-66	XB-STS-008-11.....	5-42
XB-PW-016-19.....	5-44	XB-SLN-012-04.....	5-69	XB-STS-008-11.....	5-43
XB-PW-016-19.....	5-46	XB-SLN-012-04.....	5-70	XB-STS-008-11.....	5-45
XB-PW-016-51.....	5-42	XB-SLN-012-07.....	5-49	XB-STS-008-11.....	5-47
XB-PW-016-51.....	5-47	XB-SLN-012-42.....	2-19	XB-STS-008-11.....	5-49
XB-PW-016-51.....	5-49	XB-SLN-012-42.....	2-19	XB-STS-008-16.....	2-19
XB-PW-016-62.....	5-7	XB-SLN-012-42.....	2-20	XB-STS-008-16.....	2-19
XB-PW-016-62.....	5-9	XB-SLN-012-42.....	2-21	XB-STS-008-16.....	2-20
XB-PW-016-62.....	5-14	XB-SLN-012-42.....	2-22	XB-STS-008-16.....	2-20
XB-PW-016-62.....	5-16	XB-SLN-012-42.....	2-22	XB-STS-008-16.....	2-21
XB-PW-016-62.....	5-34	XB-SLN-012-42.....	2-23	XB-STS-008-16.....	2-21
XB-PW-016-62.....	5-37	XB-SLN-012-42.....	2-23	XB-STS-008-16.....	2-22
XB-PW-016-62.....	5-44	XB-SP0012-10.....	5-8	XB-STS-008-16.....	2-22
XB-PW-016-62.....	5-46	XB-SP0012-10.....	5-11	XB-STS-008-17.....	5-42
XB-PW-016-85.....	2-19	XB-SP0012-10.....	5-36	XB-STS-008-17.....	5-44
XB-PW-016-85.....	2-19	XB-SP0012-10.....	5-39	XB-STS-008-17.....	5-48
XB-PW-016-85.....	2-20	XB-SP0012-10.....	5-67	XB-V-444-4.....	5-21
XB-PW-016-85.....	2-20	XB-SP0012-10.....	5-68	XB-V-444-4.....	5-62
XB-PW-016-85.....	2-21	XB-SP-014-27.....	5-7	XB-V-647.....	5-21
XB-PW-016-85.....	2-21	XB-SP-014-27.....	5-10	XB-V-647-1.....	5-21
XB-PW-016-85.....	2-22	XB-SP-014-27.....	5-14	XB-V-747-HD-1.....	5-70
XB-PW-016-85.....	2-22	XB-SP-014-27.....	5-17	XB-V-851.....	5-59
XB-SEL-030-17.....	5-11	XB-SP-014-27.....	5-35	XB-V-1915.....	5-22
XB-SEL-030-17.....	5-18	XB-SP-014-27.....	5-38	XB-V-06621.....	5-20
XB-SEL-030-17.....	5-39	XB-SP-014-27.....	5-42	XB-V-06630.....	5-21
XB-SEL-030-18.....	5-39	XB-SP-014-27.....	5-44	XB-V-06632.....	5-21
XB-SEL-030-22.....	5-11	XB-SP-014-27.....	5-46	XB-V-07054.....	5-21
XB-SEL-030-22.....	5-17	XB-SP-014-27.....	5-48	XB-VLG0663.....	5-14
XB-SL0A1054.....	2-19	XB-SP-014-27.....	5-49	XB-WHL-026-11.....	5-70
XB-SL0A1054.....	2-19	XB-SPG-020-02.....	5-21	XD-LG0856.....	5-10
XB-SL0A1054.....	2-20	XB-SPG-020-35.....	2-19	XD-LG0856.....	5-17
XB-SL0A1054.....	2-20	XB-SPG-020-35.....	2-19	XL-AR354-01.....	2-36
XB-SL0A1054.....	2-21	XB-SPG-020-35.....	2-20	XL-AR354-01.....	2-36
XB-SL0A1054.....	2-21	XB-SPG-020-35.....	2-20	XL-AR354-01.....	2-36

XL-AR354-01.....	2-36
XL-AR354-01.....	2-36
XL-AR354-01.....	2-37
XL-AR354-01.....	2-37
XL-AR355-02.....	2-36
XL-AR355-02.....	2-36
XL-AR355-02.....	2-36
XL-AR355-02.....	2-36
XL-AR355-02.....	2-37
XL-AR355-02.....	2-37
XL-AR355-02.....	2-37
XL-LG303 .....	5-59



# SUBJECT INDEX

## A

### ABS

- ABS Retrofit Kits 1-7
- Bendix Brake 1-31
- Cables 1-7
- ECU 1-6
- Filters 1-6
- Modulator Valves 1-6
- Sensors 1-6
- Switch, Activation 1-6
- Valves 1-6

Air Springs 2-39

Axle Fenders 7-5

### Axles

- Landing Gear 5-68

## B

Bars & Winches 9-3

Bearings, Wheel 3-6

### Bendix Brake

- ABS 1-31
- Air Disc Brakes 1-34
- Automatic Slack Adjusters 1-28
- Manual Slack Adjusters 1-27
- Quick Release Valves 1-22
- Relay Valves 1-23
- Spring Brake Valves 1-25
- System-Guard Air Dryer 1-30
- Water Separator 1-30
- Wheel Speed Sensors 1-33

### Brake Camshafts

- ArvinMeritor 1-18
- TRP 1-16, 1-19

Brake Chambers 1-5

### Brake Drums

- ArvinMeritor 1-8
- Gunite 1-8
- Webb 1-9

Brake Hardware 1-20

### Brake Shoes

- Bendix 1-13
- Haldex 1-14
- RoadLeveler 1-12

## C

### Camshafts

- ArvinMeritor 1-18
- TRP 1-16, 1-19

### Cargo

- Bars & Winches 9-3
- Straps 9-5
- Winches 9-4

Coiled Cables 11-4

Conspicuity Tape 12-3

## D

### Doors

- Bumpers & Seals 8-23
- Dry Freight Roll-Up 8-27
- Fasteners 8-45
- Handles 8-20, 8-34
- Hinges 8-4
- Hold-Back & Anchors 8-21
- Latches 8-34
- Lockrods 8-24
- Locks 8-23
- Panels 8-29
- Rollers 8-35
- Roll-up Components 8-32
- Seals 8-23, 8-36
- Springs & Shafts 8-38
- Straps & Chains 8-40
- Structure 8-40
- Tracks 8-42

## E

### Electrical

- Coiled Cables 11-4
- Plugs 11-6
- Straight Cables 11-5

## F

Fenders 7-5

Filters, ABS 1-6

## H

### Hinges

- Dorsey 8-4
- Fruehauf 8-5
- Gindy 8-6
- Great Dane 8-6
- Hyundai 8-8
- Kentucky 8-8
- Manac 8-9
- Miller 8-9
- Miner 8-9

Monon 8-10

Morgan 8-10

Pines 8-11

Pins 8-17

Stoughton 8-11

Strick 8-12

Trailmobile 8-13

T-Style 8-14

Universal Flush Mount 8-15

Utility 8-14

Vanco 8-15

Vanguard 8-15

Wabash 8-15

Weld-On 8-19

W-Style 8-16

Holland Landing Gear 5-5

Hubcaps 3-8

## J

Jost Landing Gear 5-72

## K

King Pins 5-76

## L

### Landing Gear

- Casters 5-70
- Holland 2" & 3.5" SAE King Pin 5-76
- Holland 4700 5-43
- Holland 4701 5-45
- Holland 48000 5-47
- Holland 49000 5-49
- Holland 50000 5-13
- Holland 50000 Dimensions 5-19
- Holland 50000 NoLube 5-16
- Holland 51000 5-6
- Holland 51000 Dimensions 5-12
- Holland 51000 NoLube 5-9
- Holland Axles 5-68
- Holland Braces 5-60
- Holland CMS2 5-28
- Holland CMS3 5-31
- Holland Crank Handles 5-53
- Holland Dual-Pin Drop Leg 5-41
- Holland FG4000 5-34
- Holland FG4000 Dimensions 5-40
- Holland FG4000 NoLube 5-37
- Holland Mark V 5-20

Holland Mark V Dimensions 5-25  
 Holland Removable Cushion Foot 5-66  
 Holland Replacement Landing Gear Shafts 5-50  
 Holland Shoes 5-63  
 Holland Wheels & Casters 5-70  
 Jost A400 & A401 5-72  
 Jost A400 & A401, Components 5-74  
 Mark V Shafts & Crank Handles 5-26  
 Lighting  
   Backup 10-13  
   Clearance & Marker LEDs 10-5  
   Harnesses & Connectors 10-13  
   Marker Lamps, Incandescent 10-17  
   Mounting Accessories 10-11  
   Stop, Turn, & Tail Lamps 10-14, 10-18

**M**

Mud Flaps  
   Angled Hangers 7-3  
   Straight Hangers 7-4

**S**

Seals, Axle/Wheel 3-4  
 Seals, Doors 8-23  
 Shoes  
   Landing Gear 5-63  
 Skirts 6-3  
 Slack Adjusters  
   ArvinMeritor 1-11  
   Bendix 1-27  
   Gunitite 1-11  
   Haldex 1-11  
 Suspension  
   Air Springs 2-39  
   Curb Side, Holland 2-5  
   Hendrickson HT230 2-53  
   Hendrickson INTRAAX 2-46, 2-50  
   Hendrickson Slider Air Control 2-75  
   Hendrickson VANTRAAX 2-60  
   Holland CB400 2-15, 2-18, 2-23

Holland Curb Side 2-5  
 Holland RL 2-34, 2-35, 2-37  
 Holland RL250 2-26, 2-30, 2-34  
 Holland Service & Replacement Kits 2-10  
 Holland Valves 2-13  
 Shock Absorbers 2-77

**T**

Tape 12-3  
 Tire Pressure 4-6  
 Trailer Skirts  
   Hardware 6-5  
   Kits & Panels 6-3

**V**

Valve, Height Control 2-13  
 Valve, Pressure Protection 2-14  
 Vent Doors 8-25

**W**

Warning Tape 12-3  
 Wheel  
   Bearings 3-6, 3-7, 3-8  
   Landing Gear 5-70  
   Seals 3-4  
 Wheel End  
   Nuts & Studs 3-9  
 Wheels  
   Accuride 4-3  
   Hubs 4-4  
   Tire Pressure 4-6

*NOTES*

A large rectangular area filled with a light blue grid pattern, intended for handwritten notes. The grid consists of approximately 20 columns and 30 rows of small squares.



*For information, updates, or corrections,  
please contact us at [support@trpparts.com](mailto:support@trpparts.com).*

*No part of this marketing material may be  
reproduced in any manner without written  
permission from TRP North America.*

**TRP North America**

750 Houser Way N.  
Renton, WA 98057

[www.trpparts.com](http://www.trpparts.com)